

5

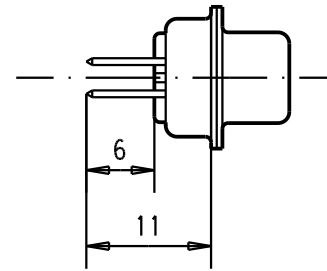
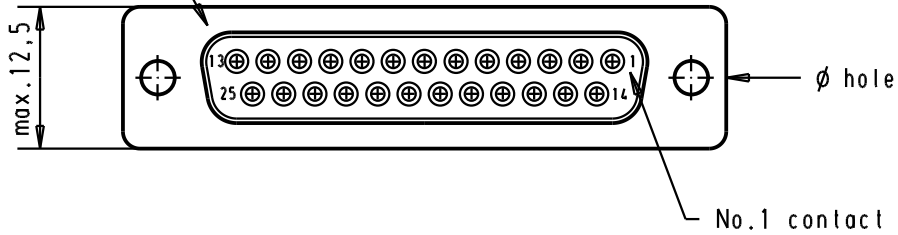
4

3

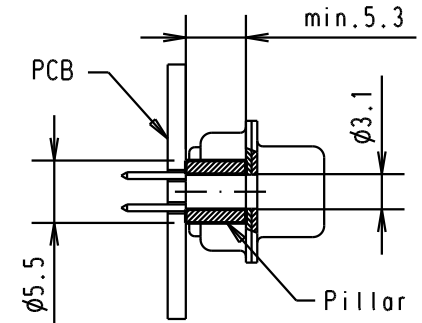
2

1

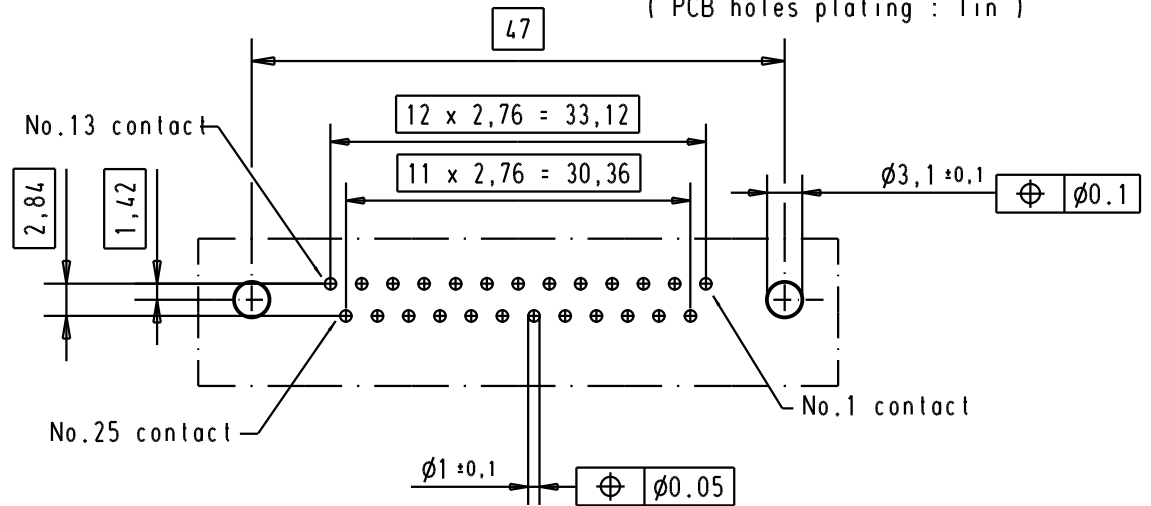
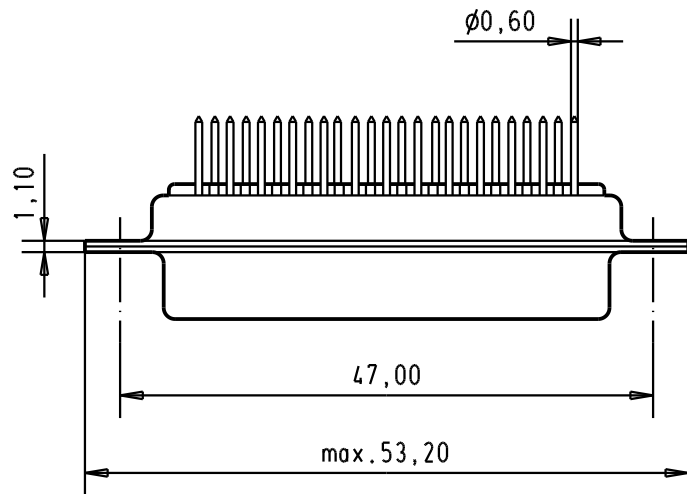
Mating face according to : MIL-C-24308 / DIN 41652 / CECC 75301-802



assembly position

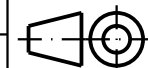


PCB layout hole component side (PCB holes plating : Tin)



A

Part number	ø hole	Performance level	Mod.	Dat.	Name	Dat.	Name	Detail.	Insp.	Stand.	Moßstab/Scale
09 67 025 4756	3.1 ± 0.1	1				07/feb/01	jfb				1.5:1
09 67 025 4755	3.1 ± 0.1	2	32991	01/09/05	JMDR						
09 67 025 4754	3.1 ± 0.1	3	27993	04/04/01	AF						
			27974	07/feb/01	jfb	HARTING EURL F-95972 Paris					1/2
Part number	ø hole	Performance level	Mod.	Dat.	Name						



All Dim. in mm
Orig. Size DIN A 4

D-Sub, Female, Straight, 25 Poles with turned solder contacts and hole



TB 0967025475x

Sub.