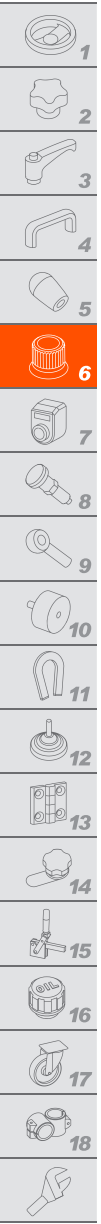


GN 727 | Knurled control knobs

with adjustable spindle, aluminium



1 MOUNTING BASE
Chrome-plated steel, matte finish.

2 FASTENING NUT
Zinc-plated steel.

3 KNOB
Knurled aluminium profile, anodised, black colour.

4 SLIDING BUSHING
Natural steel.

5 CAP
Acetal resin based (POM) technopolymer, light-grey colour.

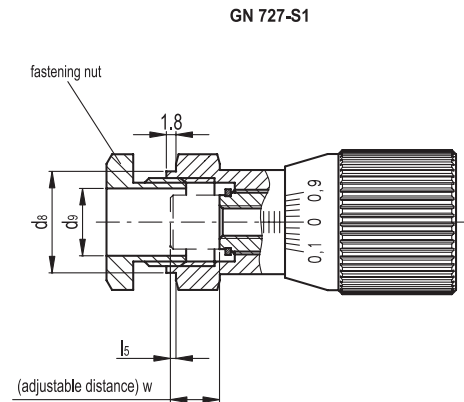
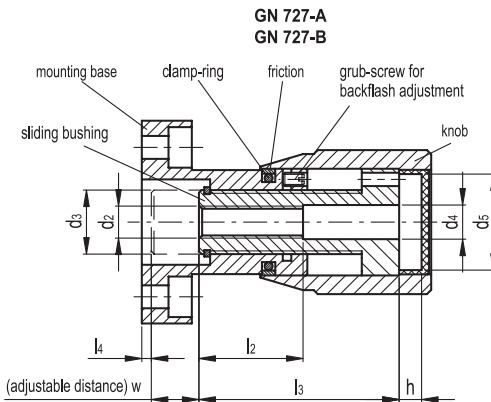
6 NUMBERING ON THE BASE
- 10 marks (D=27) which correspond to 10 knob rotations.
- 15 marks (D=34) which correspond to 15 knob rotations.
Each mark corresponds to 1 mm linear movement.
Black colour laser-engraving in contrast with the chrome-plated surface of the base.

7 NUMBERING ON THE KNOB
- 50 marks numbered from 0.1 ... to 0.9.
Each mark corresponds to 0.02 mm axial movement.
Laser-engraving in contrast with the black surface of the knob.

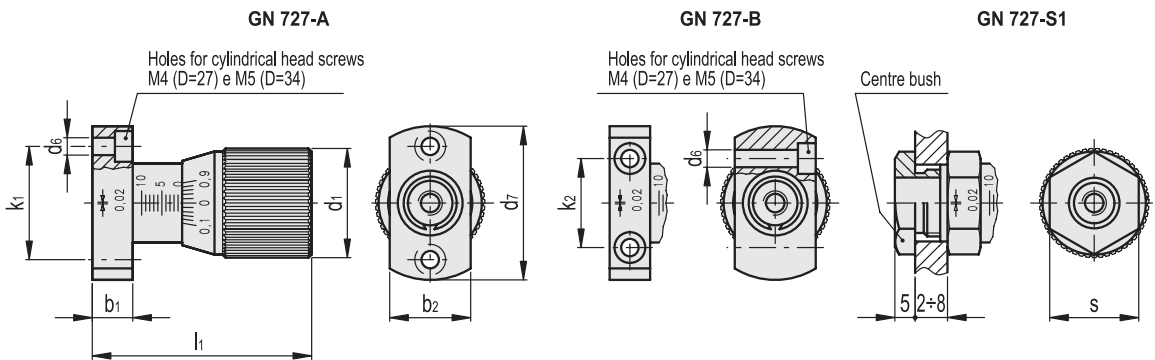
10 STANDARD EXECUTIONS
- **GN 727-A:** base with holes for assembly screws coaxial to the spindle.
- **GN 727-B:** base with holes for assembly screws perpendicular to the spindle axis.
- **GN 727-S1:** fastening by nut
Index for graduation type:
- **SR:** values increasing by clockwise rotation.
- **SL:** values increasing by anticlockwise rotation.

13 FEATURES
GN 727 control knobs allow axial adjustments, for example, of a limit stop device.
GN 727-S1 execution is suitable for assembly on plates of limited thickness (from 2 to 8 mm).

SPECIAL EXECUTIONS ON REQUEST
On the surface of the cap words, marks, graphic symbols, etc...can be tampprinted in colours.



Control elements



GN 727-A

Code	Description	d1 f7	d2	d3	d4	d5	d6	d7	b1	b2	k1	l1+0.2	l2	l3	l4	h	w	△	
GN.30561	GN 727-27-A-SR	27	M6	M12x1	6.4	18	4.3	38	10	20	28	54	19.5	37.5	0.5	4.3	10	110	
GN.30565	GN 727-27-A-SL	27	M6	M12x1	6.4	18	4.3	38	10	20	28	54	19.5	37.5	0.5	4.3	10	110	
GN.30571	GN 727-34-A-SR	34	M8	M16x1	8.5	23	5.3	40	11	25	36	67	23.5	45.5	0.5	4.2	15	210	
GN.30575	GN 727-34-A-SL	34	M8	M16x1	8.5	23	5.3	40	11	25	36	67	23.5	45.5	0.5	4.2	15	210	

GN 727-B

Code	Description	d1 f7	d2	d3	d4	d5	d6	d7	b1	b2	k2	l1+0.2	l2	l3	l4	h	w	△	
GN.30562	GN 727-27-B-SR	27	M6	M12x1	6.4	18	4.3	38	10	20	22	54	19.5	37.5	0.5	4.3	10	105	
GN.30566	GN 727-27-B-SL	27	M6	M12x1	6.4	18	4.3	38	10	20	22	54	19.5	37.5	0.5	4.3	10	105	
GN.30572	GN 727-34-B-SR	34	M8	M16x1	8.5	23	5.3	40	11	25	30	67	23.5	45.5	0.5	4.2	15	200	
GN.30576	GN 727-34-B-SL	34	M8	M16x1	8.5	23	5.3	40	11	25	30	67	23.5	45.5	0.5	4.2	15	200	

GN 727-S1

Code	Description	d1 f7	d2	d3	d4	d5	d8-0.05	d9	l1+0.2	l2	l3	l5	h	s	w	△
GN.30564	GN 727-27-S1-SR	27	M6	M12x1	6.4	18	19	12.5	54	19.5	37.5	1	4.3	22	10	101
GN.30563	GN 727-27-S1-SL	27	M6	M12x1	6.4	18	19	12.5	54	19.5	37.5	1	4.3	22	10	101
GN.30574	GN 727-34-S1-SR	34	M8	M16x1	8.5	23	24	18.3	67	23.5	45.5	1	4.2	27	15	206
GN.30573	GN 727-34-S1-SL	34	M8	M16x1	8.5	23	24	18.3	67	23.5	45.5	1	4.2	27	15	206