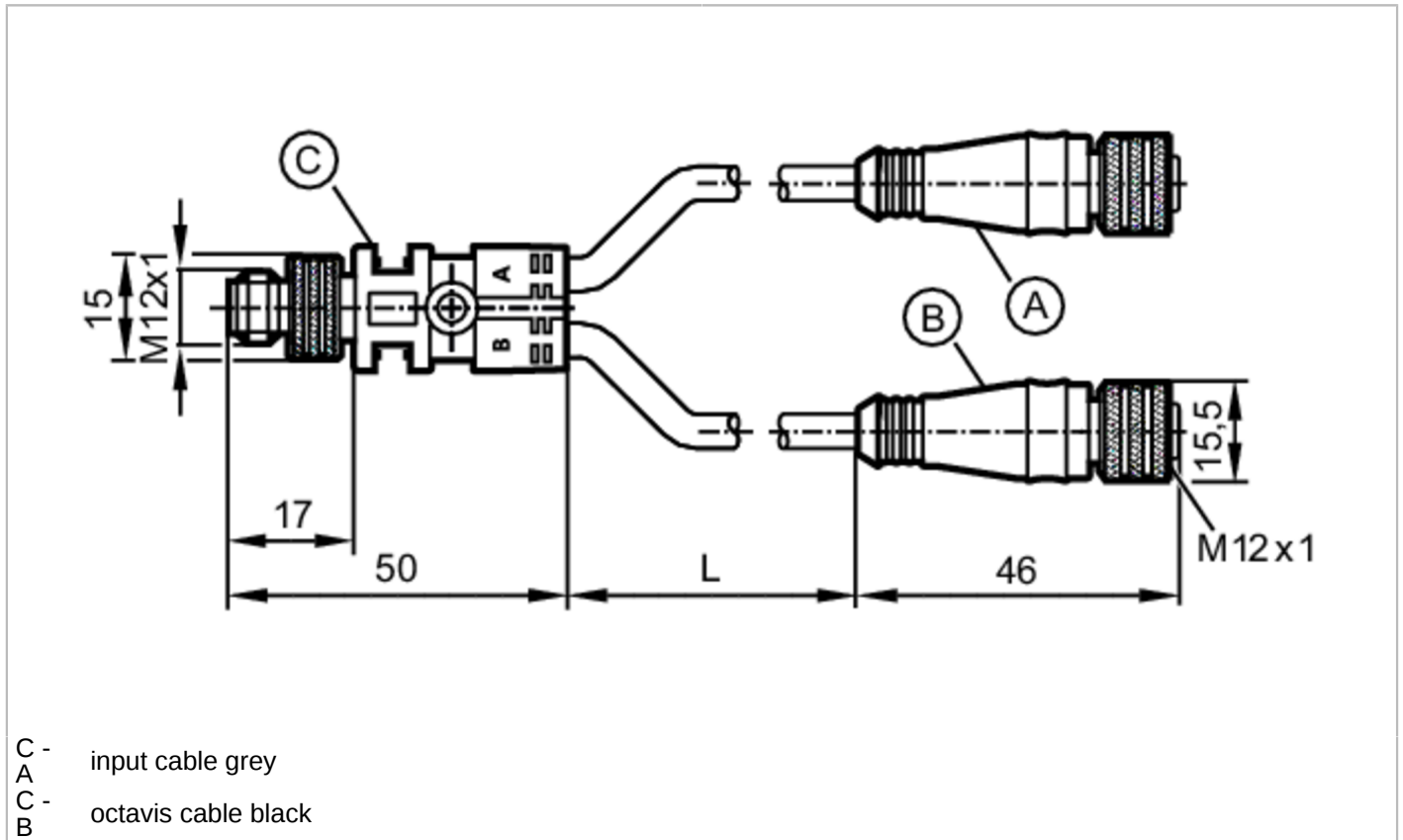


E12405



Y connection cable

YDOGH050MSS0,25H04STGH050MSS



Application	
Special feature	Halogen-free
Electrical data	
Operating voltage [V]	10...30 DC
Max. current load total [A]	4
Operating conditions	
Ambient temperature [°C]	-25...90
Protection	IP 67
Mechanical data	
Weight [g]	65
Materials	TPU
Material nut	brass, nickel-plated / brass, nickel-plated
Number of ports splitter box	2
Remarks	
Pack quantity	1 pcs.

Electrical connection
 Cable: 0.25 m, PUR, Halogen-free, black, Ø 5 mm; 5 x 0.25 mm² (32 x Ø 0.1 mm)

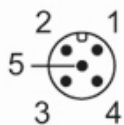
Electrical connection - plug
 Connector: 1 x M12; Moulded body: TPU; Locking: brass, nickel-plated

E12405

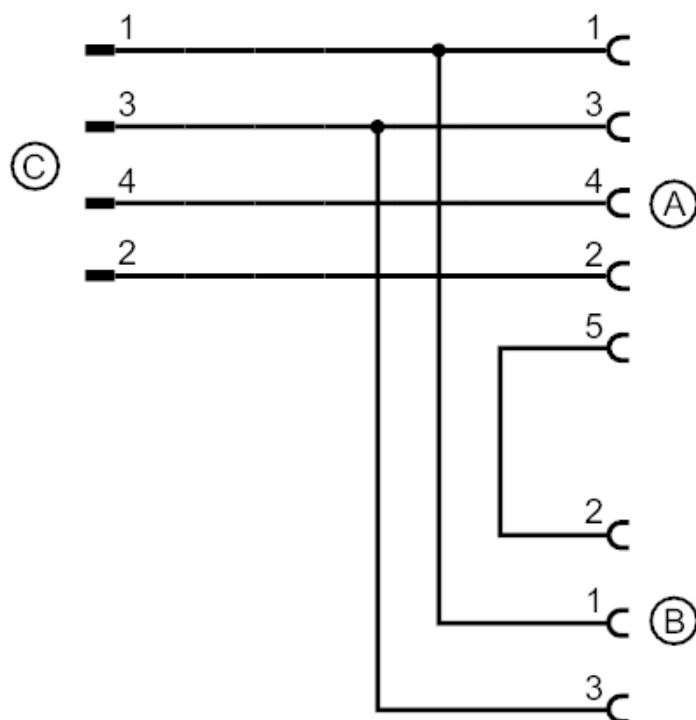


Y connection cable

YDOGH050MSS0,25H04STGH050MSS



Connection



Electrical connection - socket

Connector: 2 x M12; Moulded body: TPU; Locking: brass, nickel-plated

