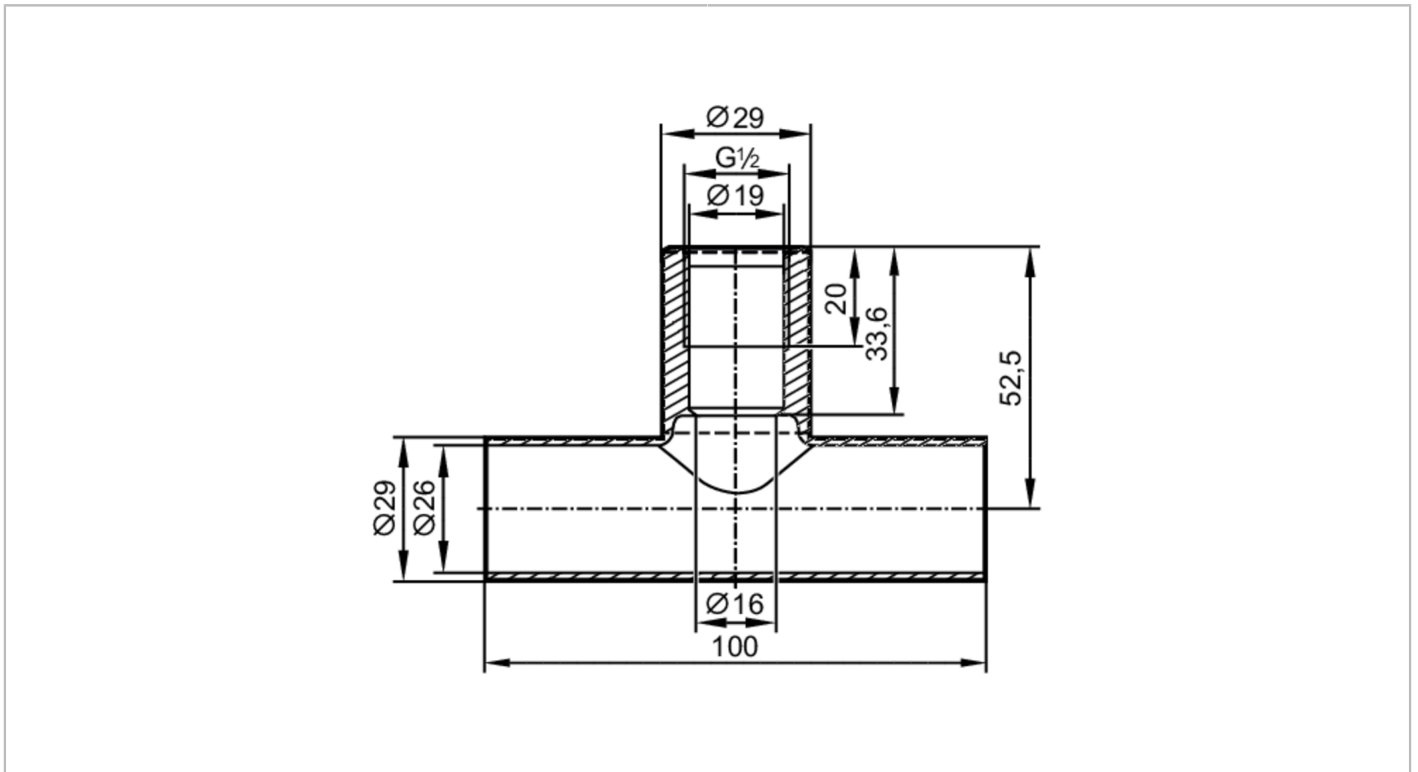


E43316



T-piece

T-PIPE/G1/2/L100/DN25



EC 1935/2004 EHEDG Certified **FCM**

Application	
Design	for sensors and adapters with process connection G ½ A
Pressure rating [bar]	40
Mechanical data	
Weight [g]	327
Materials	stainless steel (1.4404 / 316L)
Surface characteristics Ra/Rz of the wetted parts	0.8 / 4
Accessories	
Accessories (supplied)	O-rings: 1, FKM
Remarks	
Pack quantity	1 pcs.