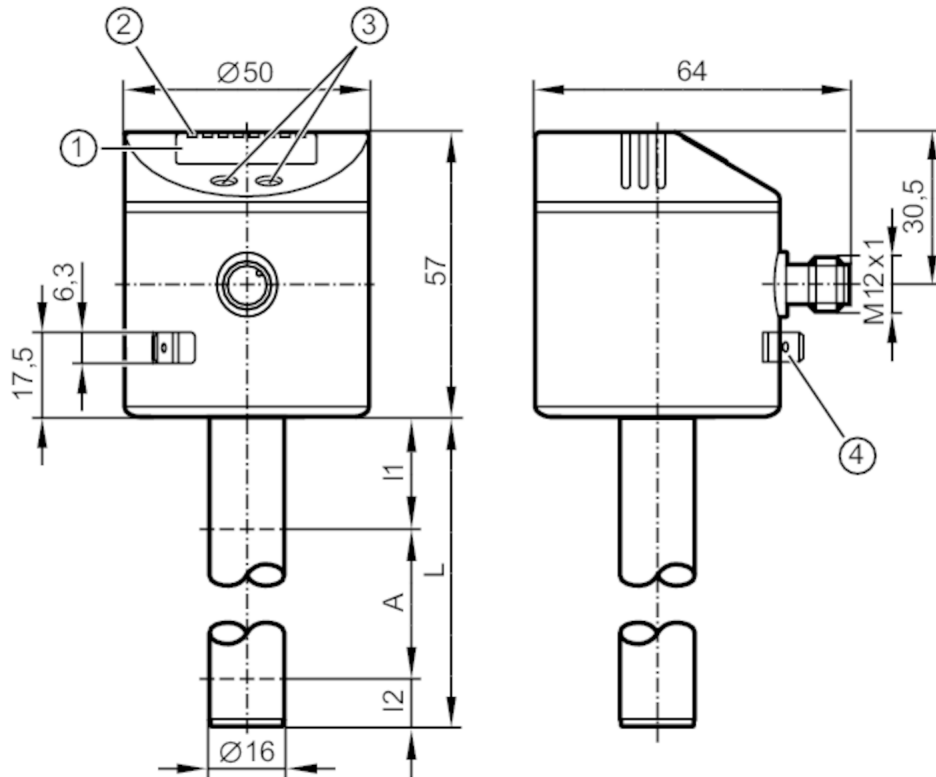


LK3123



Electronic level sensor

LK0472B-B-00KLPKG/US



- 1 alphanumeric display 4-digit
- 2 status LEDs
- 3 programming buttons
- 4 housing connection flat-pin connector 6.3 mm DIN 46244



Product characteristics

| | |
|------------------------------|---|
| Number of inputs and outputs | Number of digital outputs: 1; Number of analogue outputs: 1 |
| Factory setting | hydrous coolants; water; media similar to water |
| Probe length L [mm] | 472 |

Application

| | |
|---|--|
| Special feature | Gold-plated contacts |
| Media | hydrous coolants; oils; oil-based media; water; media similar to water |
| Dielectric constant of the medium | > 2 |
| Cannot be used for | extremely conductive media; adhering media; granulates; bulk material; acids; alkali; food and electroplating industry |
| Maximum speed of the change of level [mm/s] | 200 |
| Tank pressure [bar] | 0.5; (when mounting with mounting accessories: E43001 - E43007, E43019) |

Coolants

| | |
|-------------------------|---|
| Medium temperature [°C] | 0...35; (with climatic tube E43101: 35...60 °C) |
|-------------------------|---|

Oil

| | |
|------------------------------------|-----------------|
| Medium temperature [°C] | 0...70 |
| Medium temperature short time [°C] | 0...90; (< 1 h) |

LK3123



Electronic level sensor

LK0472B-B-00KLPKG/US

| | | |
|---|------|---|
| Water | | |
| Medium temperature | [°C] | 0...35; (with climatic tube E43101: 35...60 °C) |
| Electrical data | | |
| Operating voltage | [V] | 18...30 DC |
| Current consumption | [mA] | < 50 |
| Protection class | | III |
| Reverse polarity protection | | yes |
| Power-on delay time | [s] | < 3 |
| Inputs / outputs | | |
| Number of inputs and outputs | | Number of digital outputs: 1; Number of analogue outputs: 1 |
| Outputs | | |
| Total number of outputs | | 2 |
| Output signal | | switching signal; analogue signal; IO-Link |
| Electrical design | | PNP/NPN |
| Number of digital outputs | | 1 |
| Output function | | normally open / normally closed; (parameterisable) |
| Max. voltage drop switching output DC | [V] | 2.5 |
| Permanent current rating of switching output DC | [mA] | 200 |
| Number of analogue outputs | | 1 |
| Analogue current output | [mA] | 4...20, invertible |
| Max. load | [Ω] | 500 |
| Analogue voltage output | [V] | 0...10, invertible |
| Min. load resistance | [Ω] | 2000 |
| Short-circuit protection | | yes |
| Type of short-circuit protection | | thermal, pulsed |
| Overload protection | | yes |
| Measuring/setting range | | |
| Factory setting | | hydrous coolants; water; media similar to water |
| Probe length L | [mm] | 472 |
| Active range A | [mm] | 390 |
| Inactive range I1 / I2 | [mm] | 60 / 22 |
| Setting range | | |
| Set point SP | [mm] | 35...390 |
| Reset point rP | [mm] | 30...385 |
| Hysteresis | [mm] | 5 |
| Reference point OP | [mm] | 139 - 163 - 188 - 212 - 236 - 261 - 285 - 310 - 334 - 358 - 383 - 407 - OFF |
| Hysteresis, OP | [mm] | 3 |
| Accuracy / deviations | | |
| Measuring error | | ± 5 |

LK3123



Electronic level sensor

LK0472B-B-00KLPKG/US

| [% of the final value] | | |
|------------------------|------|-----|
| Repeatability | | ± 2 |
| Resolution | [mm] | 5 |
| Zero signal (voltage) | [V] | 0 |
| Zero signal (current) | [mA] | 4.0 |
| Full signal (voltage) | [V] | 10 |
| Full signal (current) | [mA] | 20 |

Software / programming

| | |
|---------------------------|--|
| Parameter setting options | hysteresis / window; normally open / normally closed; switching logic; current/voltage output; SP/rP position; adjustment OP; medium selection; offset setting; switch-on/switch-off delay |
|---------------------------|--|

Interfaces

| | |
|---------------------------|--|
| Communication interface | IO-Link |
| Transmission type | COM2 (38,4 kBaud) |
| IO-Link revision | 1.1 |
| SDCI standard | IEC 61131-9 |
| IO-Link device ID | 0x00028A |
| Profiles | Smart Sensor: Process Data Variable; Device Identification, Device Diagnosis |
| SIO mode | yes |
| Required master port type | A |
| Process data analogue | 2 |
| Process data binary | 1 |
| Min. process cycle time | [ms] 3.2 |

Operating conditions

| | |
|---------------------|---------------|
| Ambient temperature | [°C] 0...60 |
| Storage temperature | [°C] -25...80 |
| Protection | IP 67 |

Tests / approvals

| | | |
|----------------------|-------------------|--------------------|
| EMC | DIN EN 61000-6-4 | |
| | DIN EN 61000-6-2 | |
| Shock resistance | DIN EN 60068-2-29 | 15 g (11 ms) |
| Vibration resistance | DIN EN 60068-2-6 | 5 g (10...2000 Hz) |
| MTTF | [years] 194 | |

Mechanical data

| | |
|--------------------------|---|
| Weight | [g] 442 |
| Dimensions | [mm] Ø 16 |
| Materials | stainless steel (1.4301 / 304); stainless steel (1.4404 / 316L); FKM; NBR; PBT; PC; PA; PP; TPV |
| Materials (wetted parts) | PP |

Displays / operating elements

| | | |
|---------|-----------------------|-------------------------------|
| Display | display unit / status | 2 x LED, green (cm, inch) |
| | switching status | 1 x LED, yellow |
| | measured values | alphanumeric display, 4-digit |
| | parameter setting | alphanumeric display, 4-digit |

LK3123



Electronic level sensor

LK0472B-B-00KLPKG/US

Remarks

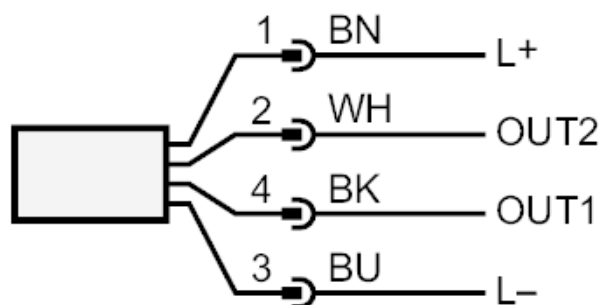
| | |
|---------------|---|
| Notes | Please see the technical note under "Downloads" |
| Pack quantity | 1 pcs. |

Electrical connection

Connector: 1 x M12; Contacts: gold-plated



Connection



OUT1: switching output IO-Link

OUT2: analogue output

colours to DIN EN 60947-5-2

OUT1: switching output

OUT2: analogue output

Core colours :

BK = black

BN = brown

BU = blue

WH = white