

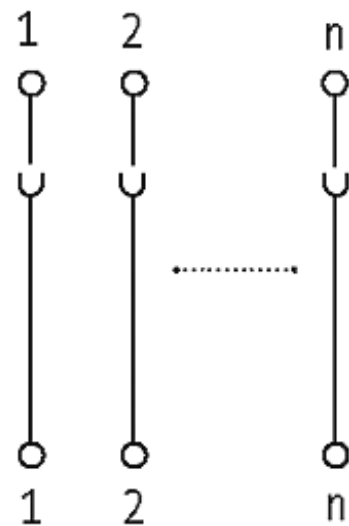
## LUGS 16 FOR SIGNAL TRANSFER

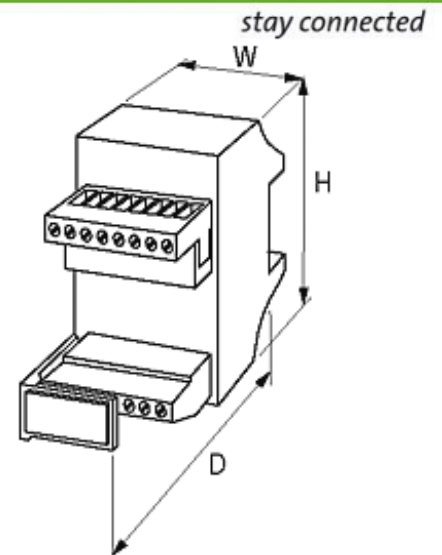
250V / 8 A

16-pole  
Screw plug-in terminals

### [Link to Product](#)

#### Illustration





Product may differ from Image

### Technical Data

Operating voltage	max. 250 V AC
Operating current per bit	max. 10 A
Material group	(EN 60664-1) over voltage, category I

### General data

Connection	Screw plug-in terminal: max. 4 mm <sup>2</sup> , single wire
Mounting method	DIN-rail mountable (EN 60715)
Dimensions H × W × D	75×45×66 mm
Temperature range	-20...+60 °C

### Commercial data

country of origin	CZ
customs tariff number	85369010
minimum order quantity	1