



REMOTE SWITCH 2 NO CONTACTS CENTRAL AND COMBINED CIRCUIT CONTACT FOR AC 230,400V 16A ACTIVATION AC 24V

Figure similar

Model		
product brand name		SENTRON
Latching relay design		Mechanical group switch
General technical data		
Electrical endurance (switching cycles)		50 000
Galvanic isolation / between magnet coil and contact		Yes
Switching voltage / of the contacts / with AC / minimum	V	10
Switching current / with AC / per contact / minimum	mA	100
Voltage		
Continuous voltage fuse version		Yes
Surge voltage resistance / Rated value	kV	4
Protection class		
Protection class IP		IP20, with connected conductors
Switching capacity		
Switching capacity apparent power		
• for fluorescent lamp load with DUO circuit	V·A	700
• for fluorescent lamp load with parallel compensation	V·A	300
• for uncompensated fluorescent lamp load	V·A	400
Switching capacity current		
• at cos phi 0.6	A	16
• Rated value	A	16

Switching capacity active power / with filament lamp load	W	2 000
Control current		
Type of voltage		
• of control voltage_1		AC
• of control voltage_2		AC
Control voltage		
• _1 / initial value	V	19.2
• _1 / Full-scale value	V	26.4
• _1 / setpoint	V	24
• _2 / initial value	V	19.2
• _2 / Full-scale value	V	26.4
• _2 / setpoint	V	24
Control voltage frequency		
• _1 / initial value	Hz	50
• _1 / Full-scale value	Hz	50
• _2 / initial value	Hz	50
• _2 / Full-scale value	Hz	50
Operating range factor / of control voltage_2		0.8
Operating range factor control supply voltage rated value / with AC / at 50 Hz		
• initial value		0.8
• Full-scale value		1.1
Product details		
Product component / Switch position indicator		Yes
Product function		
Product function / direct operation		Yes
Number		
Number of terminals		10
Number of NC contacts		0
Number of NO contacts		2
Number of CO contacts		0
Mechanical Design		
Width of opening / of the contacts	mm	1.2
Mounting height	mm	90
mounting position		any
Installation depth	mm	70
Number of width units		1.5
Mounting type		DIN rail
Required spacing / for live parts	mm	6

Environmental conditions

Ambient temperature

• minimum	°C	-10
• maximum	°C	40
• with relative humidity 95% / acc. to DIN 50015	°C	35

Certificates

General Product Approval

Declaration of Conformity

Test Certificates



[other](#)



[other](#)

Further information

Information- and Downloadcenter (Catalogs, Brochures,...)

<http://www.siemens.com/lowvoltage/catalogs>

Industry Mall (Online ordering system)

<https://eb.automation.siemens.com/mall/en/WW/Catalog/Product/5TT41522>

Service&Support (Manuals, Certificates, Characteristics, FAQs,...)

<http://support.automation.siemens.com/WW/view/en/5TT41522/all>

Image database (product images, 2D dimension drawings, 3D models, device circuit diagrams, ...)

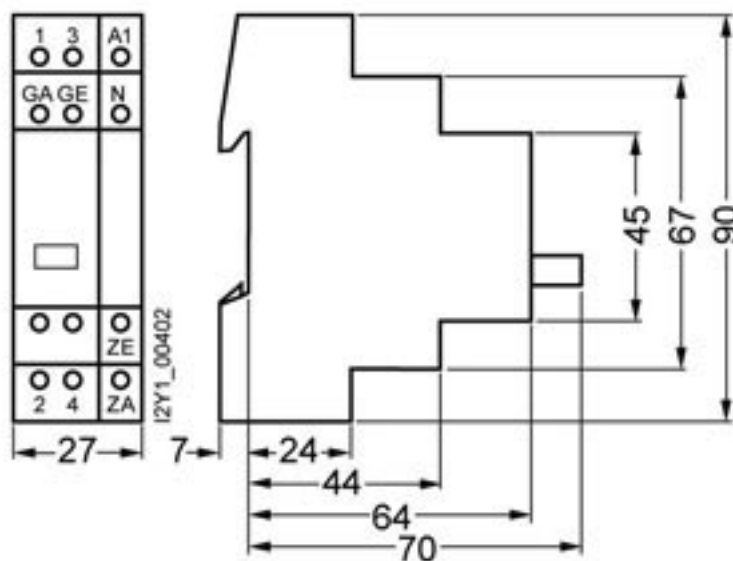
http://www.automation.siemens.com/bilddb/cax_en.aspx?mlfb=5TT41522

CAX-Online-Generator

<http://www.siemens.com/cax>

Tender specifications

<http://ausschreibungstexte.siemens.com/tiplv>



last modified:

11.03.2015