

Connection Cable

M12 × 1; Y-Distributor

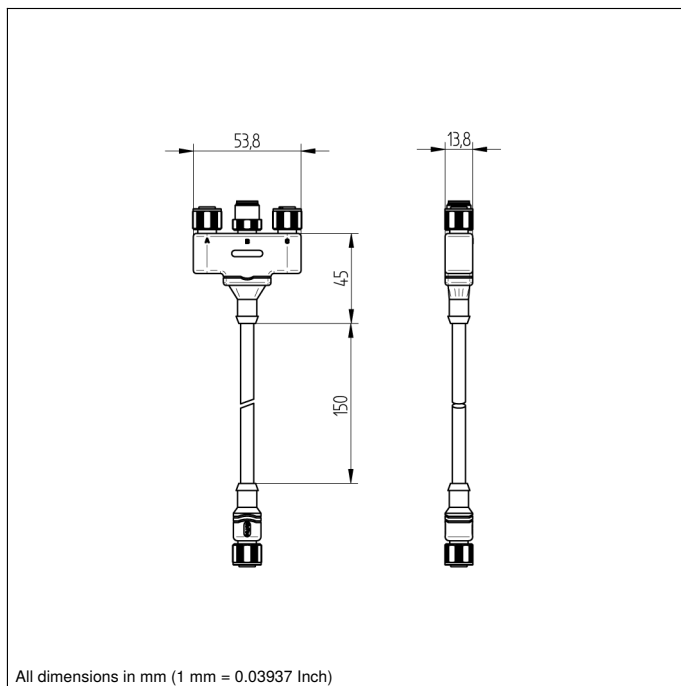
ZDCG001

Part Number

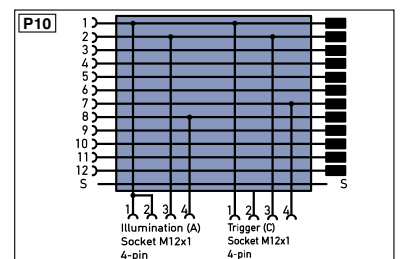


Technical Data

| Mechanical Data | |
|--------------------------|--------------------------------|
| Connection 1 | Socket, straight |
| Connection mode 1 | M12 × 1, 12-pin |
| Connection 2 | Plug, straight |
| Connection mode 2 | Socket, straight |
| Connection mode 2 | M12 × 1, 12-pin |
| Connection mode 2 | M12 × 1, 4-pin |
| Cable Length | 0,15 m |
| Cable Diameter | 6,6 mm |
| Wire cross-section | 0,14 mm ² |
| Degree of Protection | IP67 |
| Temperature Range | -25...85 °C |
| Cable Jacket Material | PUR |
| Material Sleeve Nut | Zinc diecasting, nickel-plated |
| Screened | yes |
| Halogen-free | yes |
| Full Encapsulation | yes |
| Packaging unit | 1 Piece |
| Connection Diagram No. | P10 |
| Connection Equipment No. | 87 02 |



- Plug M12 × 1, straight
- Screened
- Socket M12 × 1, straight



Legend

| | | | | | |
|--------------------|--|-------|--------------------------------|--------------------------------------|---------------------|
| + | Supply Voltage + | PT | Platinum measuring resistor | EN _{ASAZ} | Encoder A/A (TTL) |
| - | Supply Voltage 0 V | nc | not connected | EN _{BSAZ} | Encoder B/B (TTL) |
| ~ | Supply Voltage (AC Voltage) | U | Test Input | EN _A | Encoder A |
| A | Switching Output (NO) | Ū | Test Input inverted | EN _B | Encoder B |
| Ā | Switching Output (NC) | W | Trigger Input | AMIN | Digital output MIN |
| V | Contamination/Error Output (NO) | W- | Ground for the Trigger Input | AMAX | Digital output MAX |
| Ṽ | Contamination/Error Output (NC) | O | Analog Output | AOK | Digital output OK |
| E | Input (analog or digital) | O- | Ground for the Analog Output | SY in | Synchronization In |
| T | Teach Input | BZ | Block Discharge | SY OUT | Synchronization OUT |
| Z | Time Delay (activation) | AW | Valve Output | Out | Brightness output |
| S | Shielding | a | Valve Control Output + | M | Maintenance |
| RxD | Interface Receive Path | b | Valve Control Output 0 V | rsv | reserved |
| TxD | Interface Send Path | SY | Synchronization | Wire Colors according to DIN IEC 757 | |
| RDY | Ready | SY- | Ground for the Synchronization | BK | Black |
| GND | Ground | E+ | Receiver-Line | BN | Brown |
| CL | Clock | S+ | Emitter-Line | RD | Red |
| E/A | Output/Input programmable | ≠ | Grounding | OG | Orange |
| IO-Link | IO-Link | SnR | Switching Distance Reduction | YE | Yellow |
| PoE | Power over Ethernet | Rx+/- | Ethernet Receive Path | GN | Green |
| IN | Safety Input | Tx+/- | Ethernet Send Path | BU | Blue |
| QSSD | Safety Output | Bus | Interfaces-Bus A(+)/B(-) | VT | Violet |
| Signal | Signal Output | La | Emitted Light disengageable | GY | Grey |
| BLD+/- | Ethernet Gigabit bidirect. data line (A-D) | Mag | Magnet activation | WH | White |
| EN _{0SAZ} | Encoder 0-pulse 0-0 (TTL) | RES | Input confirmation | PK | Pink |
| | | EDM | Contactor Monitoring | GNYE | Green/Yellow |