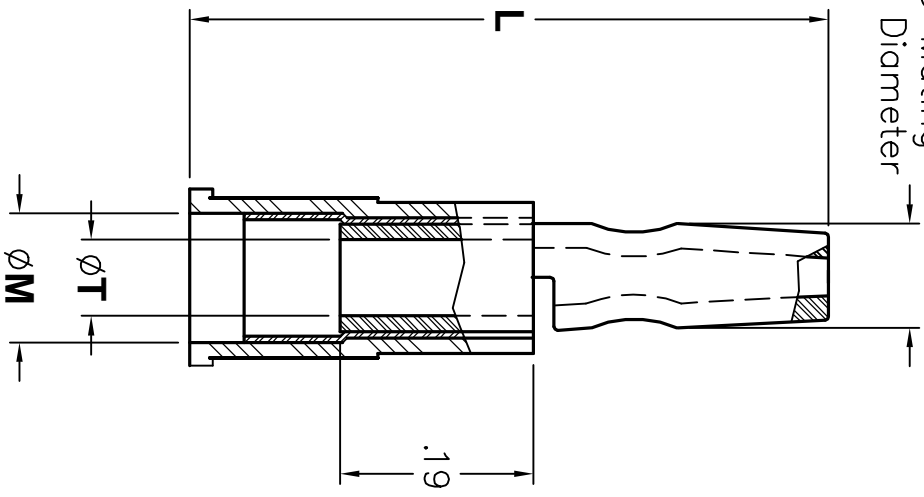


ALL RIGHTS RESERVED. NO PORTION OF THIS PUBLICATION, WHETHER IN WHOLE OR IN PART CAN BE REPRODUCED WITHOUT THE EXPRESS WRITTEN CONSENT OF SPC TECHNOLOGY.

.156 Mating  
Snap Diameter



REVISIONS		DOC. NO.	SPC-F005 * Effective: 12/21/98 * DCP No: 680					
DCP #	REV	DESCRIPTION	DRAWN	DATE	CHECKD	DATE	APPRVD	DATE
	A	Redrawn in Autocad	JAP	12/12/91				
1199	B	Redrawn and Renamed	JWM	11/8/01	JC	1/4/02	JC	1/4/02

NOTES:  
Material : Electro-Tin Plated Copper  
Voltage Rating: 600 V  
Operating Temp: -40°F to 221°F (-40°C ~ 105°C)

SPC Part Number	Wire Range (AWG)	L	T	M	Color	Insulating Material
CBP-DY-1415	16 ~ 14	.87	.090	.170	Blue	Nylon 6/6
CBP-DY-1815	18 ~ 22	.85	.070	.145	Red	UL94V-2
CBP-TV-1415	16 ~ 14	.85	.090	.170	Blue	Vinyl (PVC)
CBP-TV-1815	22 ~ 18	.85	.070	.145	Red	UL94V-0

DISCLAIMER:  
ALL STATEMENTS AND TECHNICAL INFORMATION CONTAINED HEREIN ARE BASED UPON INFORMATION AND/OR TESTS WE BELIEVE TO BE ACCURATE AND RELIABLE SINCE CONDITIONS OF USE ARE BEYOND OUR FULL CONTROL. THE USER SHALL DETERMINE THE SUITABILITY OF THE PRODUCT FOR THE INTENDED USE AND ASSUME ALL RISK AND LIABILITY WHATSOEVER IN CONNECTION THEREWITH.

OSHA  
Acceptable



OSHA  
Acceptable

E56918

LR22190M6

SPC-F005.DWG

DRAWN BY: JC		DATE: 3/12/91		DRAWING TITLE: Insulated Bullet Style Male Disconnects	
CHECKED BY: JOHN COLE		DATE: 12/13/91		SIZE: A	
APPROVED BY: John Liska		DATE: 12/13/91		DWG. NO. TA-439	
		SCALE: NTS		ELECTRONIC FILE: TA-439.dwg	
		U.O.M.: INCHES [mm]		REV: B	
				SHEET: 1 OF 1	



SPC TECHNOLOGY