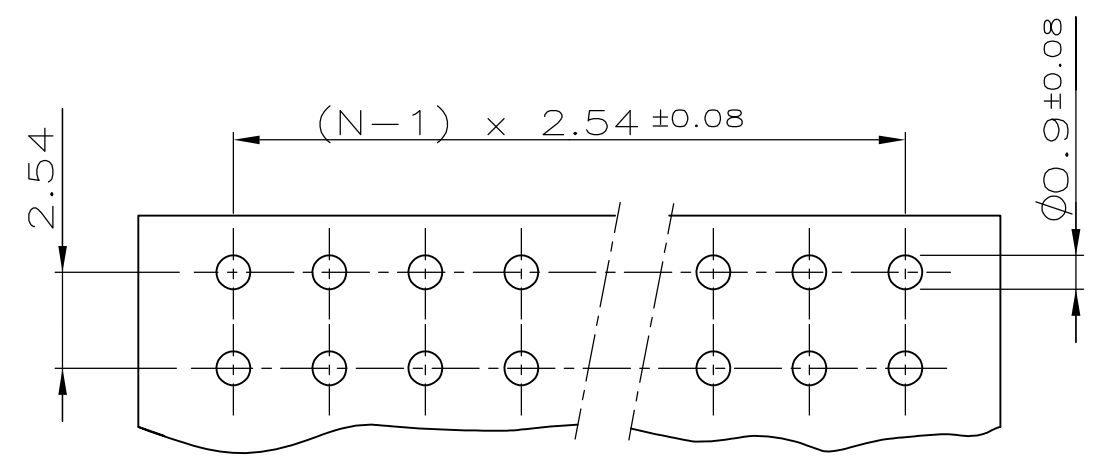
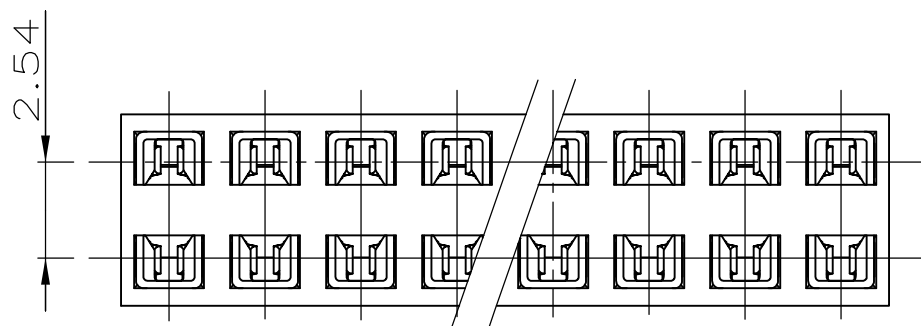
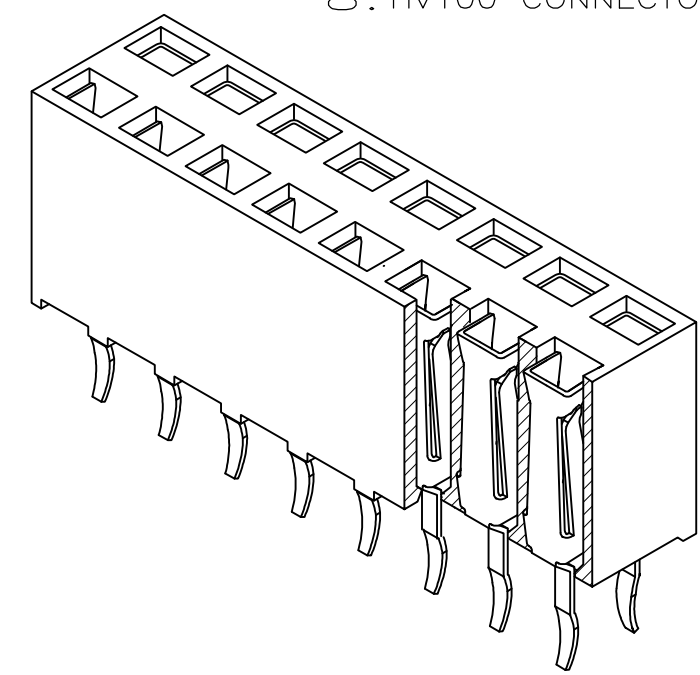
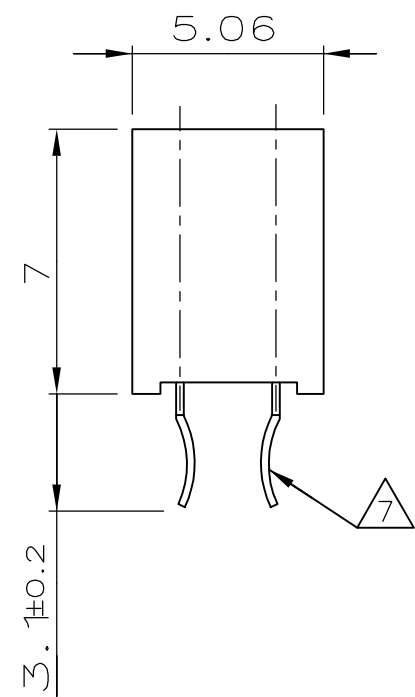
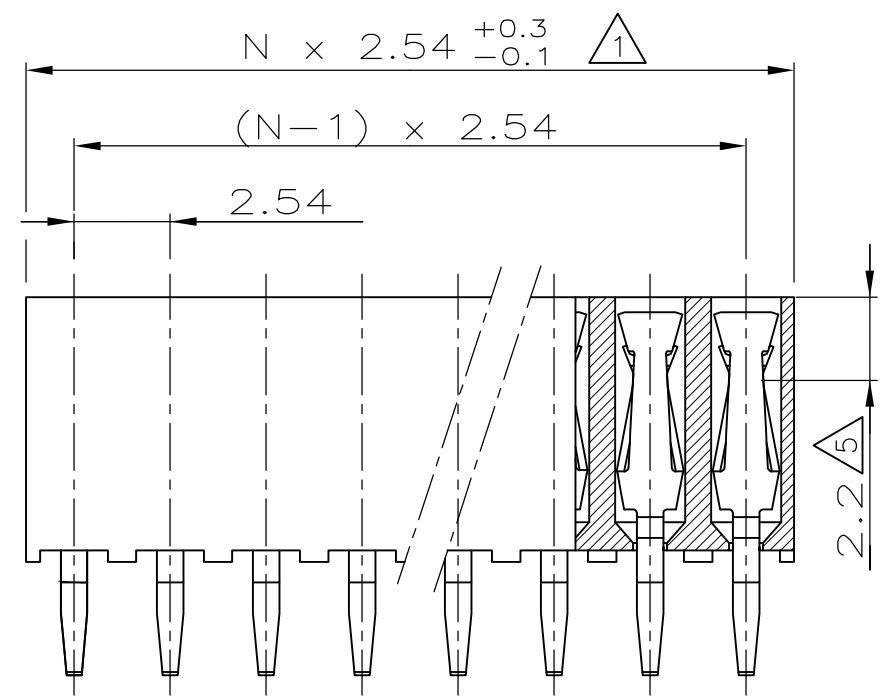


REVISIONS		DATE	DWN	APVD
P	LTR	DESCRIPTION		
	C2	REVISED PER ECO-11-005150	21MAR11	RK HMR

NOTES:

- 1. TO DETERMINE DIMENSIONS TAKE $2 \times N = \text{NR. OF POS.}$.
 FOR EXAMPLE: $2 \times 10 \text{ POS.} : N \times 2,54 = 25,4 \text{ mm.}$
 FOR ORDERNR. USE BASIC NR. + NR. OF POS.
 FOR EXAMPLE: $2 \times 2 \text{ POS.} = 215 \ 307-2 \text{ (SHORTEST VERSION)}$
 $2 \times 36 \text{ POS.} = 3-215 \ 307-6 \text{ (LONGEST VERSION)}$
- 2. HOUSING MATERIAL: GREEN GLASSFILLED POLYESTER, UL 94V-0
 CONTACT MATERIAL: PHOSPHORBRONZE.
- 3. PLATING: UNDERCOATING: $1,3 \mu\text{m Ni.}$
 AT CONT.PLACE: $0,8 \mu\text{m Au.}$
 AT SOLDER-TYNES: MIN. $2,5 \mu\text{m Sn.}$
- 4. MATES WITH 0,63 SQUARE/ROUND MODU POSTS.
- 5. CONTACT-POINT.
- 6. RECOMMENDED P.C.BOARD-THICKNESS: 1,6.
- 7. RETENTION FEATURE.
- 8. HV100 CONNECTOR PACKED IN ANTISTATIC BLISTER



P.C.-BOARD HOLE-PATTERN

VERWENDET FÜR E 91-52 572	SEE NOTES FINISH	SEE NOTES MATERIAL	SEE NOTES PARTNUMBER
------------------------------	---------------------	-----------------------	-------------------------

THIS DRAWING IS A CONTROLLED DOCUMENT.		DWN R.VISSER 08.05.87	STE TE Connectivity													
DIMENSIONS: mm		CHK W.SIMONS														
TOLERANCES UNLESS OTHERWISE SPECIFIED:		APVD L.v.SOEST	NAME													
<table border="0"> <tr><td>0 PLC</td><td>± -</td></tr> <tr><td>1 PLC</td><td>± 0.1</td></tr> <tr><td>2 PLC</td><td>± -</td></tr> <tr><td>3 PLC</td><td>± -</td></tr> <tr><td>4 PLC</td><td>± -</td></tr> <tr><td>ANGLES</td><td>± -</td></tr> </table>		0 PLC	± -	1 PLC	± 0.1	2 PLC	± -	3 PLC	± -	4 PLC	± -	ANGLES	± -	PRODUCT SPEC	HV 100 VERTICAL CONNECTOR DUAL ROW, 7,0mm HEIGHT, TOP ENTRY, GOLD, MAX. 2X36 POSITIONS	
0 PLC	± -															
1 PLC	± 0.1															
2 PLC	± -															
3 PLC	± -															
4 PLC	± -															
ANGLES	± -															
MATERIAL		APPLICATION SPEC	SIZE	CAGE CODE												
FINISH		WEIGHT	DRAWING NO													
-		-	A3 00779 C-215307													
		CUSTOMER DRAWING		RESTRICTED TO												
		SCALE	SHEET	REV												
		5:1	1 OF 1	C2												