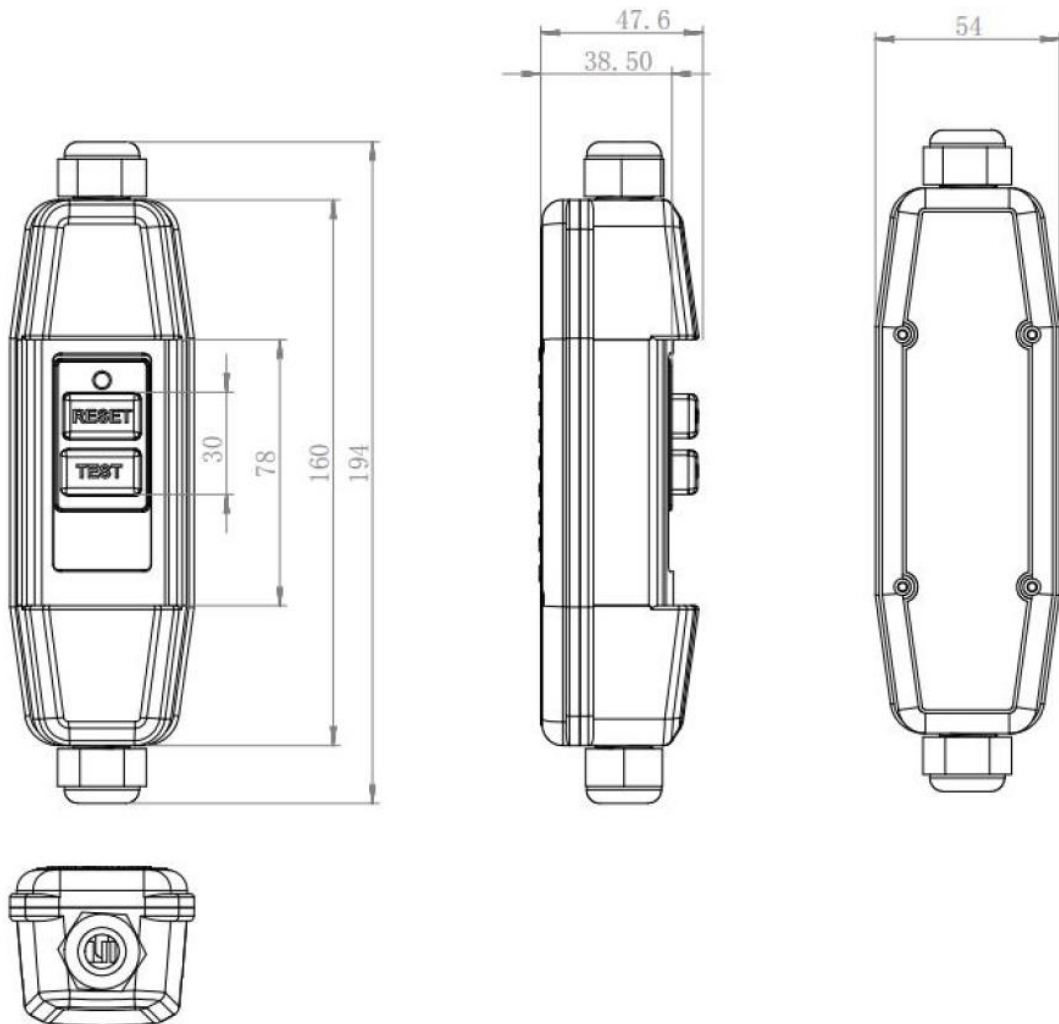


Item no.: 1765329

## Data Sheet



Operating voltage .....220 - 240 V/AC, 50 Hz  
 Total power input .....max. 3,600 W  
 Protection type .....IP55  
 Location of use .....Indoors and outdoors  
 Nominal fault current .....10 mA  
 Switch-off time .....< 30 ms