

1827525-1 ✓ ACTIVE

## Industrial USB IP20

TE Internal #: 1827525-1

Industrial USB IP20, USB Connectors, A, 2.0, Standard Profile, Plug,  
1 Port, Cable Mount, Straight, Box, IP20, None PCB Mount  
Retention Type

[View on TE.com >](#)



Connectors > Audio & Video Connectors > USB Connectors



USB Connector Type: **A**

USB Version: **2.0**

Connector Profile: **Standard**

Connector & Housing Type: **Plug**

Number of Ports: **1**

### Features

#### Product Type Features

USB Connector Type	A
USB Version	2.0
Connector & Housing Type	Plug
Connector System	Wire-to-Wire
Sealable	No
Connector & Contact Terminates To	Wire & Cable
Product Type	Connector
LED	Without

#### Configuration Features

Number of Ports	1
Number of Positions	4

#### Body Features

Connector Profile	Standard
Shell Plating Material	Nickel over Copper

#### Contact Features

Contact Current Rating (Max)	1 A
Contact Mating Area Plating Material	Gold
Contact Mating Area Plating Thickness	.76 $\mu\text{m}$ [29.92 $\mu\text{in}$ ]



### Mechanical Attachment

Locking Feature	Without
Locating Posts	Without
PCB Mount Location	Cable Mount
PCB Mount Retention Type	None
Connector Mounting Type	Cable Mount (Free-Hanging)

### Housing Features

Body Orientation	Straight
Housing Material	Plastic
Housing Color	Black

### Usage Conditions

Soldering Temperature (Max)	350 °C[662 °F]
Mating Cycles (Max)	1500
Operating Temperature Range	-55 – 85 °C[-67 – 185 °F]

### Operation/Application

Assembly Process Feature	None
Circuit Application	Power, Signal & Data

### Industry Standards

Degree of Protection	IP20
----------------------	------

### Packaging Features

Packaging Method	Box
------------------	-----

### Other

Comment	Latching USB Plug
---------	-------------------

### Product Compliance

[For compliance documentation, visit the product page on TE.com>](#)

EU RoHS Directive 2011/65/EU	Compliant
EU ELV Directive 2000/53/EC	Compliant
China RoHS 2 Directive MIIT Order No 32, 2016	No Restricted Materials Above Threshold
EU REACH Regulation (EC) No. 1907/2006	Current ECHA Candidate List: JAN 2021 (211) Candidate List Declared Against: JUN 2020 (209)



SVHC > Threshold:  
Not Yet Reviewed

Halogen Content  
Not Low Halogen - contains Br or Cl > 900 ppm.

Solder Process Capability  
Not applicable for solder process capability

Product Compliance Disclaimer

This information is provided based on reasonable inquiry of our suppliers and represents our current actual knowledge based on the information they provided. This information is subject to change. The part numbers that TE has identified as EU RoHS compliant have a maximum concentration of 0.1% by weight in homogenous materials for lead, hexavalent chromium, mercury, PBB, PBDE, DBP, BBP, DEHP, DIBP, and 0.01% for cadmium, or qualify for an exemption to these limits as defined in the Annexes of Directive 2011/65/EU (RoHS2). Finished electrical and electronic equipment products will be CE marked as required by Directive 2011/65/EU. Components may not be CE marked. Additionally, the part numbers that TE has identified as EU ELV compliant have a maximum concentration of 0.1% by weight in homogenous materials for lead, hexavalent chromium, and mercury, and 0.01% for cadmium, or qualify for an exemption to these limits as defined in the Annexes of Directive 2000/53/EC (ELV). Regarding the REACH Regulation, the information TE provides on SVHC in articles for this part number is based on the latest European Chemicals Agency (ECHA) 'Guidance on requirements for substances in articles' posted at this URL: <https://echa.europa.eu/guidance-documents/guidance-on-reach>

### Compatible Parts



TE Part # 5787617-3  
RECP ASSY, R/A, STACKED, THRU-HOLE, USB,



TE Part # 1775690-2  
Std USB Type A, VT, T/H, 2.5A



TE Part # 5787617-4  
RECP ASSY, R/A, STACKED, THRU-HOLE, USB,



TE Part # 1-292303-1  
Std USB Type A, R/A, SMT



TE Part # 292303-5  
Std USB Type A, R/A, T/H, Natural



TE Part # 5787745-5  
USB A R/A STAK ASSY THRU HOLE



TE Part # 1734366-3  
Std USB Type A, VT, T/H, Blue



TE Part # 5787745-1  
USB A R/A STAK ASSY THRU HOLE



TE Part # 1734366-4  
Std USB Type A, VT, T/H



TE Part # 5787617-8  
RECP ASSY, R/A, STACKED, THRU-HOLE, USB,



TE Part # 292303-3  
Std USB Type A, R/A, T/H, Natural



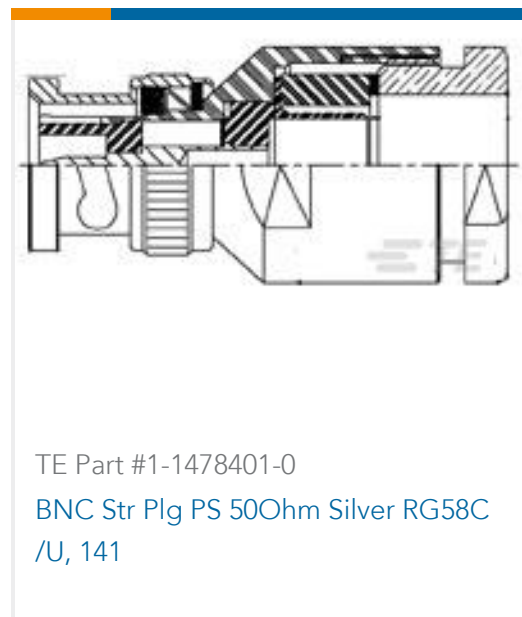
TE Part # 5787745-2  
USB A R/A STAK ASSY THRU HOLE



Also in the Series | **Industrial USB IP20**



Customers Also Bought





## Documents

### Product Drawings

#### MECHATROLINK II CONNECTOR KIT

English

### CAD Files

#### 3D PDF

3D

#### Customer View Model

[ENG\\_CVM\\_CVM\\_1827525-1\\_E.2d\\_dxf.zip](#)

English

#### Customer View Model

[ENG\\_CVM\\_CVM\\_1827525-1\\_E.3d\\_igs.zip](#)

English

#### Customer View Model

[ENG\\_CVM\\_CVM\\_1827525-1\\_E.3d\\_stp.zip](#)

English

By downloading the CAD file I accept and agree to the [Terms and Conditions](#) of use.

### Datasheets & Catalog Pages

#### 1-1773463-4\_INDUSTRIAL\_USB\_CONNECTORS

English

### Product Specifications

#### Application Specification

Japanese

### Product Environmental Compliance

#### MD\_1827525-1\_06082016947\_dmtec

English

#### MD\_1827525-1\_06082016947\_dmtec

English

### Instruction Sheets

#### Instruction Sheet (non U.S.)

Japanese