

INTERFACE OPTO-COUPLED OUTPUT WITH RELAY

T-4

TECHNICAL CHARACTERISTICS

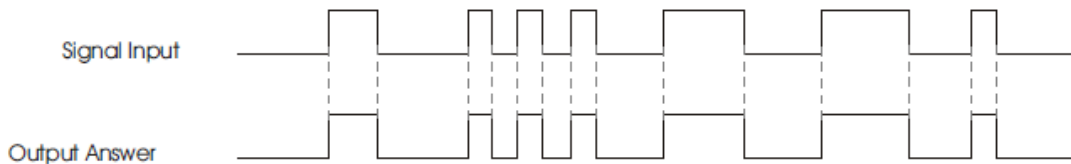
Voltage.	12 V. DC. / AC.	Maximum Input Voltage.	24 V. DC.
Minimum Consumption.	0.2 mA.	Maximum Output Load per Relay.	3 A.
Maximum Consumption.	60 mA.	Protection against polarity inversion.	Yes.
Minimum Input Voltage.	3 V. DC.	Sizes.	85 x 43 x 30 mm.

The T-4 module is an interface with 4 outputs, totally insulated from the opto-couple input. As a 3 - 24 V DC voltage is injected on the input, if this one is maintained, the output is activated. It allows to control thanks to Cmos or TTL signals. It includes protection against polarity inversion, operating indicator leds and connection terminals.

POWER SUPPLY. T-4 circuit had to be supplied by a 12 VDC power supply correctly filtered. We recommended you the FE-2 power supply which has been developed to perfectly answer to the circuit needs. Install a fuse and a switch has it is indicated on the schedule. Both are necessary for the module’s protection as well as for your own safety, as it is required by the “CE” regulations. Connect the positive of the power supply to the positive terminal indicated in the wiring map, then connect the negative of the power supply to the negative terminal indicated in the circuit . Verify that the assembly is correct.

OPERATING. The T-4 module offer an input totally insulated from its corresponding output. Injecting a voltage signal, included between 3 and 24 V DC, on the input, the relay is activated connecting the output till the applied signal decrease at zero.

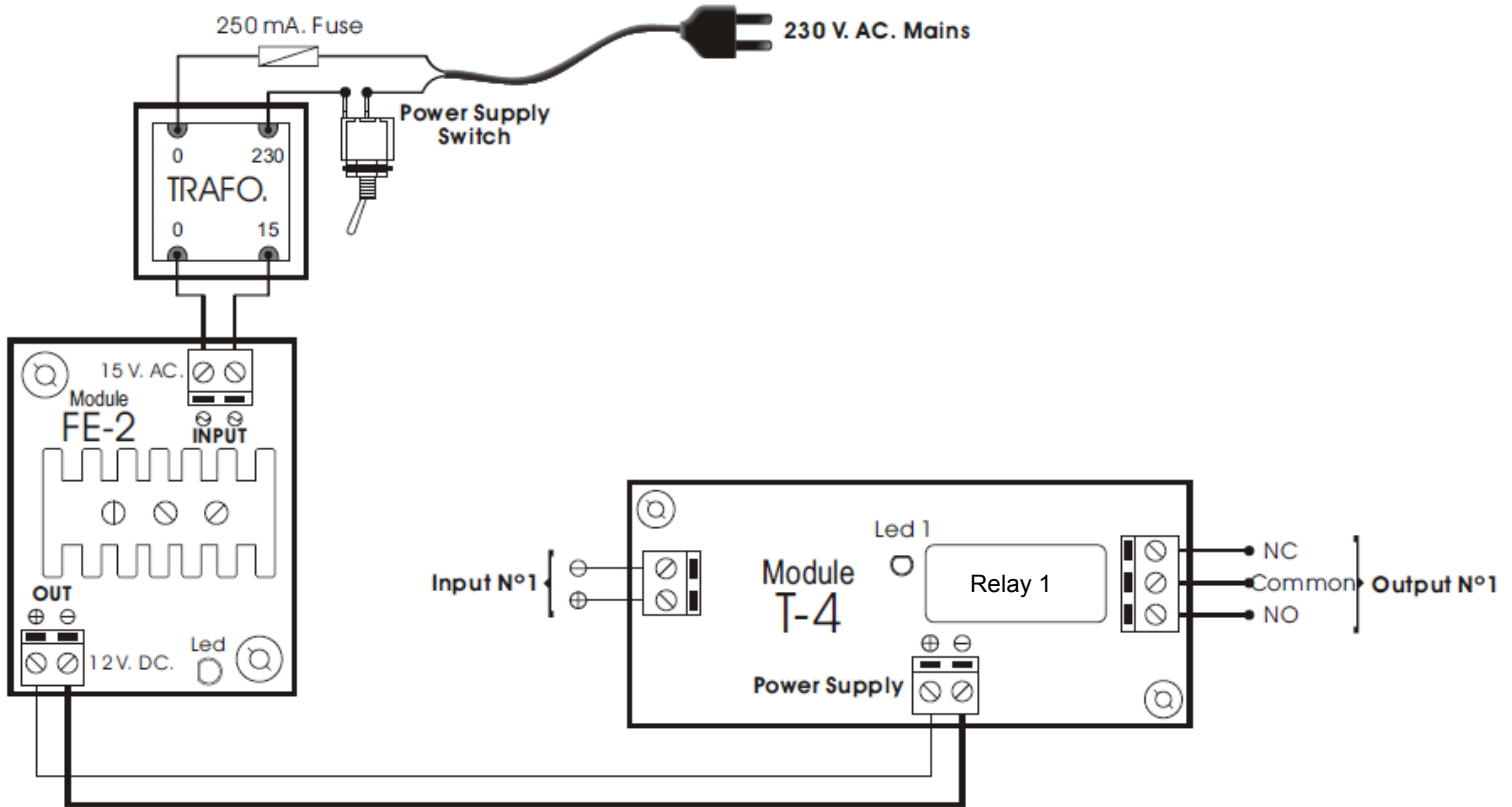
MODULE EVOLUTION. According to the Input Signal / Output Connection.



INSTALLATION. Connect the signal control and the module’s input signal. Be careful with the polarity and respect positive and negative terminals. If the required cable between input connection and its signal source is superior than 30 cm. you have to use shielded cable, connecting the main wire to the negative terminal of the push button and try to do a cabling inferior than 150 cm.

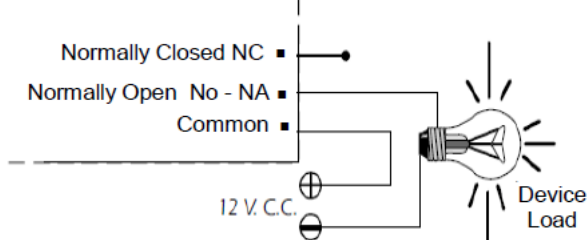
OUTPUT CONNECTION LOAD. The T-4 output is controlled by a relay, and accept any device up to 3 A. The relay have three output terminals: The normally open quiescent (NO), the normally closed quiescent (NC) and the common. This mechanism operate like a switch with two terminals NO and Common. For the inverse function you have to use the NC and Common. In the drawing hereafter, you could see a typical connection with a 12 V

GENERAL WIRING MAP.

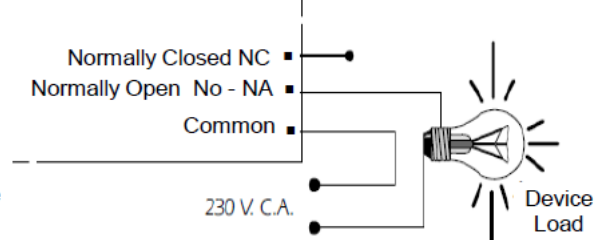


LOAD CONNECTION

12V DC CONNECTION

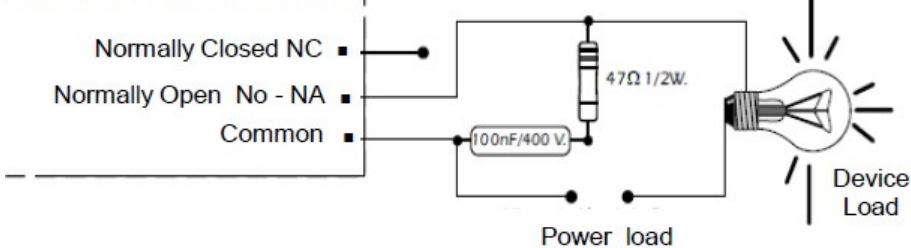


230V CA CONNECTION



INFORMATION ABOUT THE OUTPUT. During the operating mode and according to its load, it could happen a fluctuation or an incorrect working of the output. In such case, you have to install an anti-spark circuit between both contacts of the used relay, as it is indicated on the schedule

230 V CA CONNECTION



Cebek [®] is a registered trademark of the Fadisel group