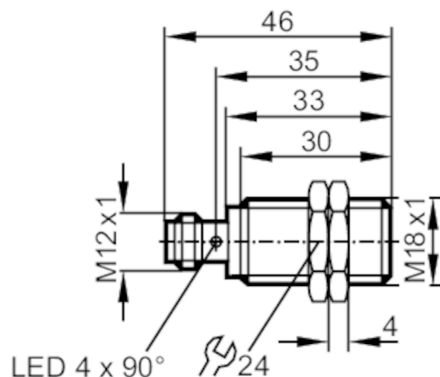


IGT237



Inductive sensor

IGB3005-BPKG/M/V4A/US-104-DPS



Product characteristics

Electrical design	PNP
Output function	normally open
Sensing range [mm]	5
Housing	threaded type
Dimensions [mm]	M18 x 1 / L = 46

Application

Special feature	Gold-plated contacts
Application	Use in wet areas and in the food and beverage industry

Electrical data

Operating voltage [V]	10...36 DC
Current consumption [mA]	< 10
Protection class	II
Reverse polarity protection	yes

Outputs

Electrical design	PNP
Output function	normally open
Max. voltage drop switching output DC [V]	2.5
Permanent current rating of switching output DC [mA]	100
Switching frequency DC [Hz]	500
Short-circuit protection	yes
Type of short-circuit protection	pulsed
Overload protection	yes

Detection zone

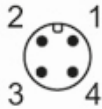
Sensing range [mm]	5
Real sensing range S_r [mm]	$5 \pm 10 \%$
Operating distance [mm]	0...4.05

IGT237



Inductive sensor

IGB3005-BPKG/M/V4A/US-104-DPS

Accuracy / deviations		
Correction factor		steel: 1 / stainless steel: 0.7 / brass: 0.4 / aluminium: 0.4 / copper: 0.3
Hysteresis	[% of Sr]	1...20
Switch point drift	[% of Sr]	-10...10
Operating conditions		
Ambient temperature	[°C]	0...100
Protection		IP 68; IP 69K
Tests / approvals		
EMC	EN 61000-4-2 ESD	4 kV CD / 8 kV AD
	EN 61000-4-3 HF radiated	10 V/m
	EN 61000-4-4 Burst	2 kV
	EN 61000-4-5 Surge	0,5 kV line to line, Ri: 2 Ohm
	EN 61000-4-6 HF conducted	10 V
MTTF	EN 55011	class B
		1754
UL approval	Ta	0...40 °C
	Enclosure type	Type 1
	voltage supply	Limited Voltage/Current
	File number UL	E174191
Mechanical data		
Weight	[g]	44.7
Housing		threaded type
Mounting		flush mountable
Dimensions	[mm]	M18 x 1 / L = 46
Thread designation		M18 x 1
Materials		stainless steel (1.4404 / 316L); sensing face: PEEK
Displays / operating elements		
Display	switching status	4 x 90° LED, yellow
Accessories		
Accessories (supplied)		lock nuts: 2
Remarks		
Pack quantity		1 pcs.
Electrical connection - plug		
Connector: 1 x M12; Contacts: gold-plated		
		

IGT237



Inductive sensor

IGB3005-BPKG/M/V4A/US-104-DPS

Connection

