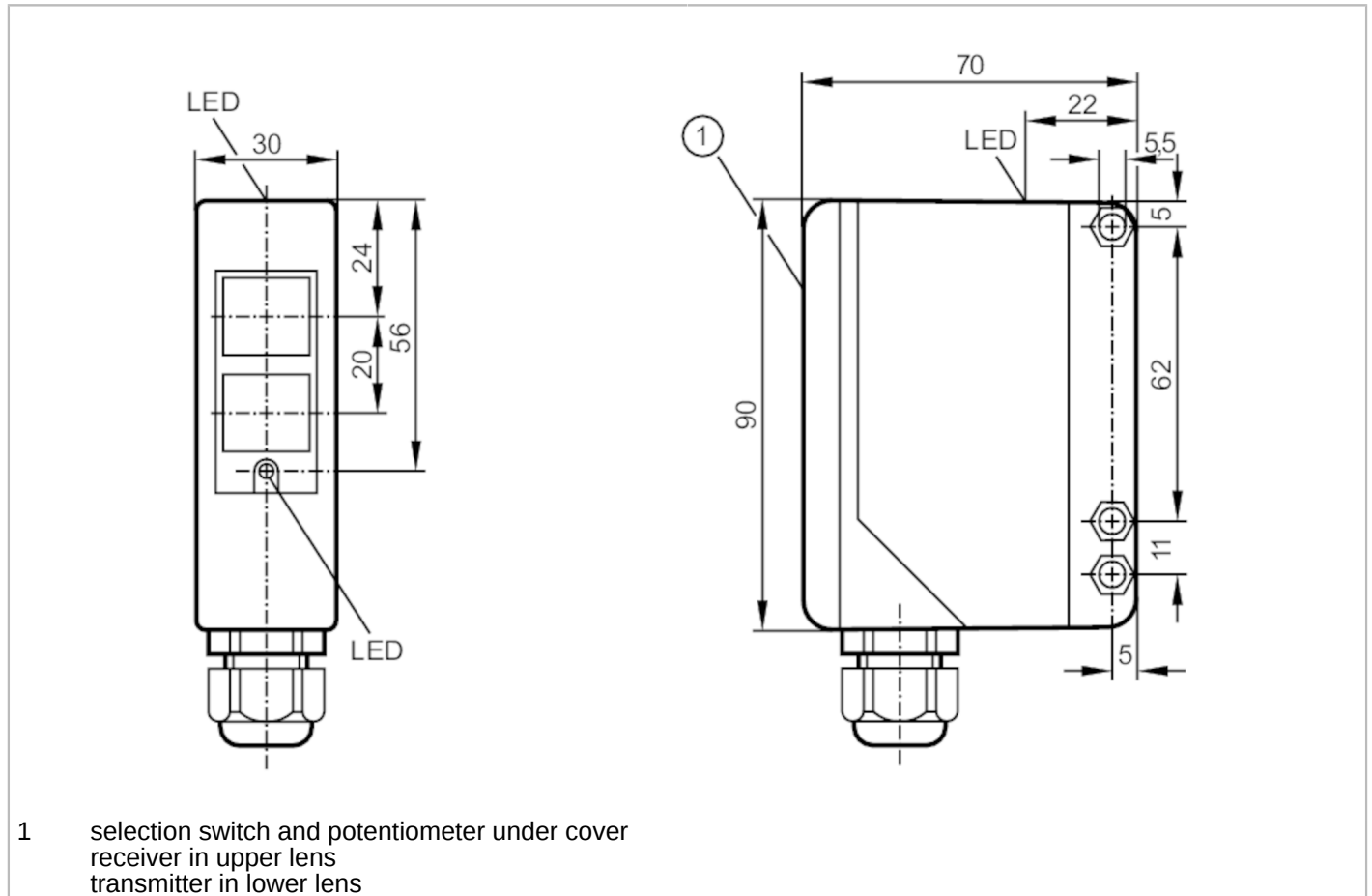


# OA0109



## Diffuse reflection sensor

OAT-FKOAT



### Product characteristics

Type of light	infrared light
Housing	rectangular
Dimensions [mm]	90 x 30 x 70

### Application

Function principle	Diffuse reflection sensor
--------------------	---------------------------

### Electrical data

Frequency AC [Hz]	47...63
Operating voltage [V]	20...250 AC/DC
Max. power consumption [VA]	2
Protection class	II
Reverse polarity protection	no
Type of light	infrared light
Wave length [nm]	880

# OA0109



## Diffuse reflection sensor

OAT-FKOAT

Outputs		
Electrical design	relay	
Output function	light-on/dark-on mode; (programmable)	
Contact rating	250 V AC / 3 A / 360 VA, 125 V DC / 3 A / 30 W	
Switching frequency AC [Hz]	10	
Switching frequency DC [Hz]	10	
Short-circuit proof	no	
Overload protection	no	
Time function [s]	0.5...10	
Detection zone		
Range [mm]	5...1500; (white paper 200 x 200 mm)	
Range adjustable	yes	
Max. light spot diameter [mm]	370	
Light spot dimensions refer to	at maximum range	
Operating conditions		
Ambient temperature [°C]	-25...60	
Protection	IP 65	
Tests / approvals		
EMC	EN 60947-5-2	
MTTF [years]	264	
Mechanical data		
Weight [g]	307	
Housing	rectangular	
Dimensions [mm]	90 x 30 x 70	
Materials	PPO modified	
Lens material	PMMA	
Lens alignment	side lens	
Displays / operating elements		
Display	switching status	1 x LED, yellow
	operation	1 x LED, green
	function	1 x LED, red
Operating elements	on-delay or off-delay selectable via slide switch	
Electrical connection		
Required protection	miniature fuse to IEC60127-2 sheet 1; ≤ 5 A; fast acting	
Accessories		
Accessories (supplied)	Angle bracket: 1 x, E20514 screwdrivers	
Remarks		
Remarks	Recommendation: Check the safe functioning of the unit after a short circuit.	
Pack quantity	1 pcs.	

# OA0109



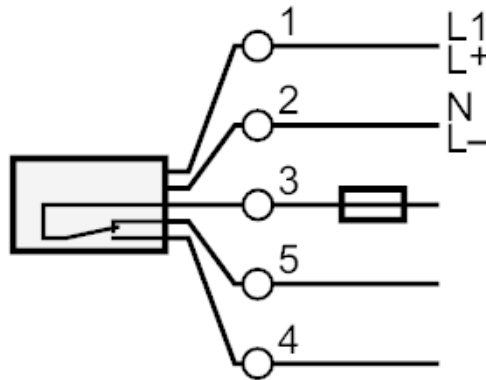
## Diffuse reflection sensor

OAT-FKOAT

### Electrical connection

terminals: ...1.5 mm<sup>2</sup>; Cable sheath: Ø 4.5...10 mm; Cable gland: M16 X 1.5

### Connection



Note : miniature fuse to IEC60127-2 sheet 1 ≤ 5 A fast acting

### Diagrams and graphs

excess gain graph

