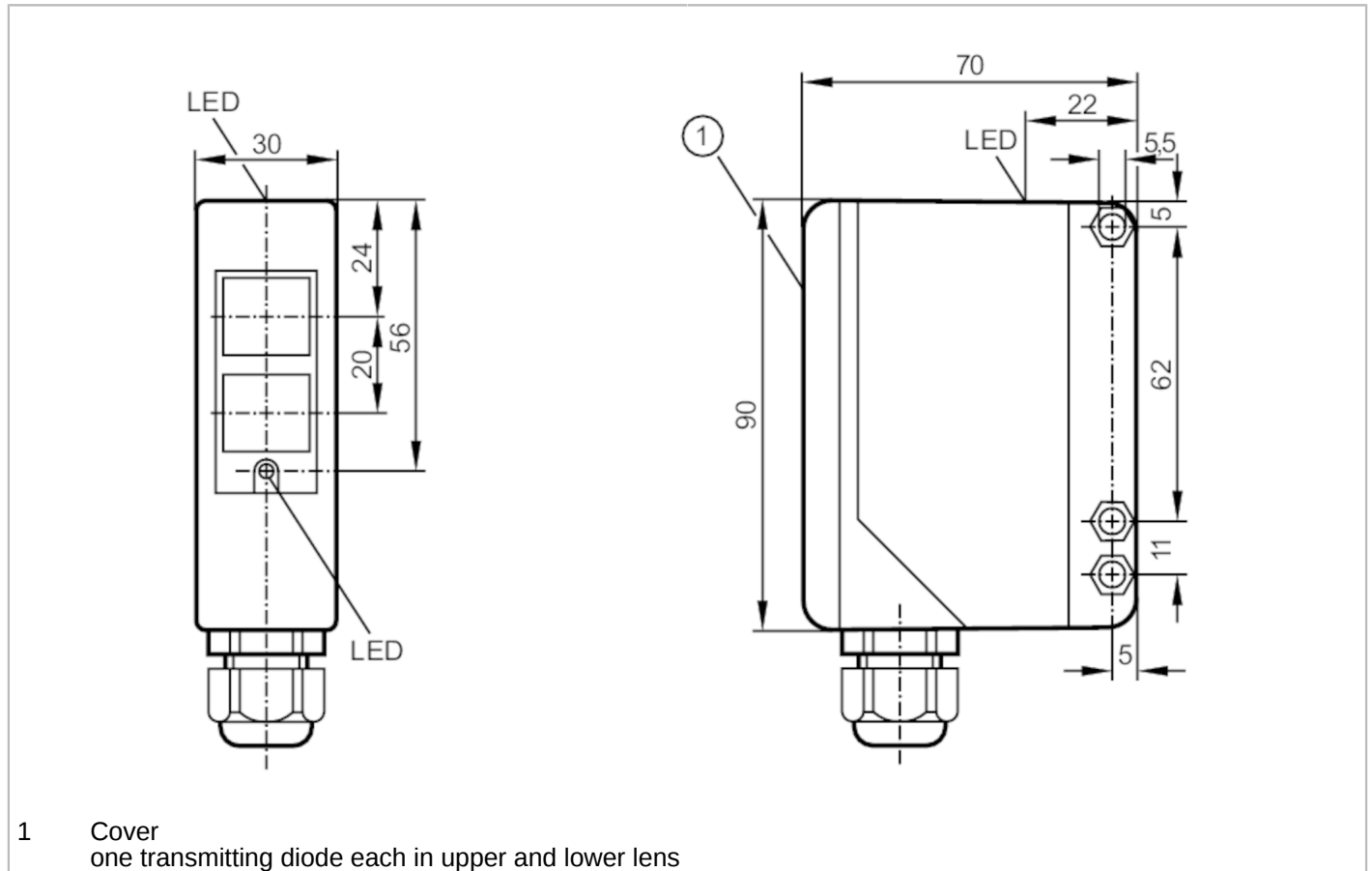


OA5101



Through-beam sensor transmitter

OAS-00KG



Product characteristics	
Type of light	infrared light
Housing	rectangular
Dimensions [mm]	90 x 30 x 70
Application	
Function principle	Through-beam sensor
Electrical data	
Operating voltage [V]	10...36 DC
Current consumption [mA]	< 50
Protection class	II
Reverse polarity protection	yes
Type of light	infrared light
Wave length [nm]	880
Outputs	
Short-circuit protection	yes
Type of short-circuit protection	pulsed
Overload protection	yes

OA5101



Through-beam sensor transmitter

OAS-00KG

Detection zone		
Transmitter / receiver		transmitter
Range [m]		< 50
Range adjustable		no
Max. light spot diameter [mm]		1500
Light spot dimensions refer to		at maximum range
Operating conditions		
Ambient temperature [°C]		-25...60
Protection		IP 65
Tests / approvals		
EMC	EN 60947-5-2	
	EN 55011	class B
MTTF [years]		1367
Mechanical data		
Weight [g]		270.5
Housing		rectangular
Dimensions [mm]		90 x 30 x 70
Materials		PPO modified
Lens material		PMMA
Lens alignment		side lens
Displays / operating elements		
Display	operation	1 x LED, green
Accessories		
Accessories (supplied)		Angle bracket: 1 x, E20514 screwdrivers
Remarks		
Pack quantity		1 pcs.

OA5101



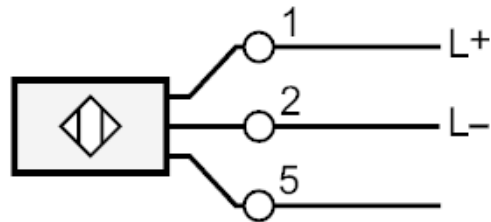
Through-beam sensor transmitter

OAS-00KG

Electrical connection

terminals: ...1.5 mm²; Cable sheath: Ø 4.5...10 mm; Cable gland: M16 X 1.5

Connection



5

test