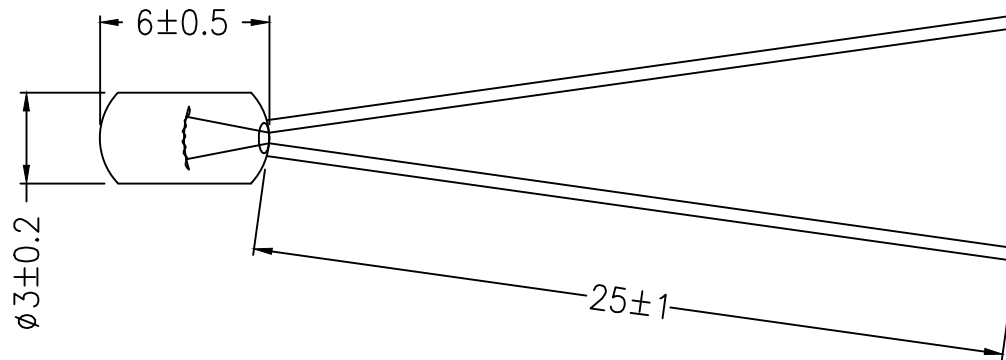


CUSTOMER	MCM	FILE NO.	25-995	THIS DRAWING AND SPECIFICATIONS HEREIN ARE THE CONFIDENTIAL PROPERTY OF SAMAR AND SHALL NOT BE REPRODUCED OR COPIED OR DISCLOSED IN WHOLE OR IN PART WITHOUT WRITTEN PERMISSION.	REV.	DESCRIPTION	DRAWN / DATE	APPROVED / DATE
					0	INITIAL RELEASE	YANG 12/11/2002	



RATED VOLTAGE	8V
CURRENT	60mA
LIFE GUARANTEED	5,000 Hours
BULB	$\phi 3 \pm 0.2$ mm

DIMENSIONS ARE IN mm [INCH]	TOLERANCES ARE FRACTIONS DECIMALS ANGLES	MATERIAL	SAMAR	T1 BULB 3mm 8V 60mA	P/N	25-995	DRAWN	YANG	DATE	12/11/2002	
MOLD NO.	.x ± 0.2 [0.008] .xx ± 0.12 [0.005]	FINISH			PROJECT NO.						
25-995		COLOR			SCALE	1/1	SIZE		SHEET	1	OF