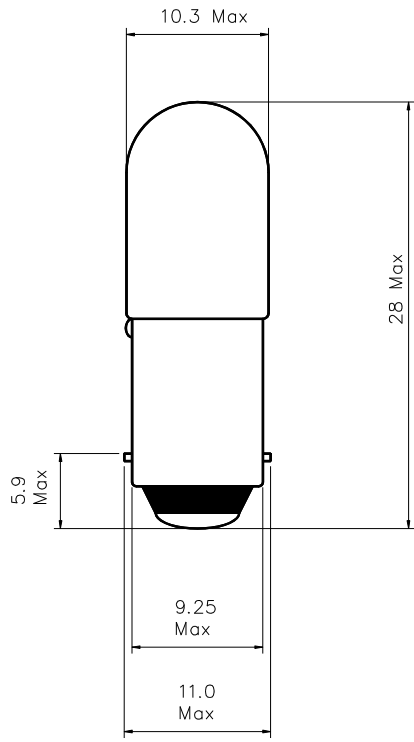


Part Number: W1201

Type	Size	Rating	Description
Incandescent	T10	24V 2W	T-3¼ Miniature Bayonet Lamp



Dimensions in millimetres

TEST VOLTS	CURRENT (mA)			LIGHT OUTPUT (Lm)			LIFE Hours
	Min.	Nom.	Max.	Min.	Nom.	Max.	
24	75	83	91	4.7	6.3	7.9	10,000

Notes:

- 1 **Base Type** BA9s/13 in accordance with IEC61-1, (BS EN 60061-1) sheet 7004-14-x
- 2 **Filament Shape** C-2F
- 3 **Lamp Marking** CML 24V 2W
- 4 **Light Centre Length** 16mm nominal
- 5 **Bead Colour** White or clear
- 6 **Environmental** RoHS & REACH SVHC compliant