



Product Change Notification

Current Date: 27-Aug-2021

TE Connectivity

Product Change Notification: PCN-21-110970

PCN Date: 26-AUG-21

Customer: TTI Inc(0000139702)

Location: WORLDWIDE

Agreement: Agreement Unknown

TE would like to inform you of the following change(s) to the listed TE Connectivity Product. In case of any further questions about this change(s), please contact your TE Connectivity Sales Engineer. Affected part, drawing and/or specification numbers are listed on the attached sheet(s).

General Product Description:

MQS Tabellenzeichnung Stiftkontakt TABLE PIN CONTACT

Description of Changes

Superseding of PN 1-928918-1. General Drawing update and correction.

Other attachments:

[PCN-21-110970](#)

Reason for Changes:

Drawing update - see further PCN E-20-016678

Estimated Dates:

Last Order Date (Obsolete Parts Only):

First Date To Ship (Changed Parts Only):

Last Ship Date (Obsolete Parts Only):

Last Date for Mixed Shipments: (Changed Parts Only):

No Mixed Shipments

The documents listed below are being modified. Related parts that are not explicitly listed on this PCN are not being modified or discontinued as per the PCN. The Last Order Date, Last Ship Date, First Date to Ship Changed Parts and last date for Mixed Shipments apply only to parts explicitly listed on this PCN.

Note: This PCN contains only document changes, these changes do not affect the form, fit or function of the parts referenced.

Customer Drawing(s) Being Modified:

| Drawing Number | Related Part Number | Customer Part Number | Current Revision | New Revision |
|------------------------|-----------------------------------|----------------------|------------------|--------------|
| 929453 | 1355719-1, 6-928918-1, 6-928918-2 | TYC1355719-1 | C29 | |

Customer: TTI, Inc. (1305175)

Location: Maisach-gernlinden

Agreement Number: TTI001

The documents listed below are being modified. Related parts that are not explicitly listed on this PCN are not being modified or discontinued as per the PCN. The Last Order Date, Last Ship Date, First Date to Ship Changed Parts and last date for Mixed Shipments apply only to parts explicitly listed on this PCN.

Customer Drawing(s) Being Modified:

| Drawing Number | Related Part Number | Customer Part Number | Current Revision | New Revision |
|------------------------|---------------------|----------------------|------------------|--------------|
| 929453 | 1355719-1 | TYC1355719-1 | C29 | |

Customer: TTI Inc (3164508)

Location: Fort Worth

Agreement Number: Agreement Unknown

The documents listed below are being modified. Related parts that are not explicitly listed on this PCN are not being modified or discontinued as per the PCN. The Last Order Date, Last Ship Date, First Date to Ship Changed Parts and last date for Mixed Shipments apply only to parts explicitly listed on this PCN.

Customer Drawing(s) Being Modified:

| Drawing Number | Related Part Number | Customer Part Number | Current Revision | New Revision |
|------------------------|---------------------|----------------------|------------------|--------------|
| 929453 | 1355719-1 | | C29 | |

Customer: Tti Inc (3065242)

Location: Maisach-Gernlinden

Agreement Number: Agreement Unknown

The documents listed below are being modified. Related parts that are not explicitly listed on this PCN are not being modified or discontinued as per the PCN. The Last Order Date, Last Ship Date, First Date to Ship Changed Parts and last date for Mixed Shipments apply only to parts explicitly listed on this PCN.

Customer Drawing(s) Being Modified:

| Drawing Number | Related Part Number | Customer Part Number | Current Revision | New Revision |
|------------------------|---------------------|----------------------|------------------|--------------|
| 929453 | 6-928918-2 | | C29 | |

Customer: TTI Inc (168830)

Location: Fort Worth

Agreement Number: Agreement Unknown

The documents listed below are being modified. Related parts that are not explicitly listed on this PCN are not being modified or discontinued as per the PCN. The Last Order Date, Last Ship Date, First Date to Ship Changed Parts and last date for Mixed Shipments apply only to parts explicitly listed on this PCN.

Customer Drawing(s) Being Modified:

| Drawing Number | Related Part Number | Customer Part Number | Current Revision | New Revision |
|------------------------|---------------------|----------------------|------------------|--------------|
| 929453 | 6-928918-1 | | C29 | |

Customer: TTI Electronics Asia Pte Ltd. (2771300)

Location: Singapore

Agreement Number: Agreement Unknown

The documents listed below are being modified. Related parts that are not explicitly listed on this PCN are not being modified or discontinued as per the PCN. The Last Order Date, Last Ship Date, First Date to Ship Changed Parts and last date for Mixed Shipments apply only to parts explicitly listed on this PCN.

Customer Drawing(s) Being Modified:

| Drawing Number | Related Part Number | Customer Part Number | Current Revision | New Revision |
|------------------------|---------------------|----------------------|------------------|--------------|
| 929453 | 6-928918-1 | | C29 | |

PCN Description of Eng. Changes

PCN No.
OEM / CAM informed
Estimated First Date for samples

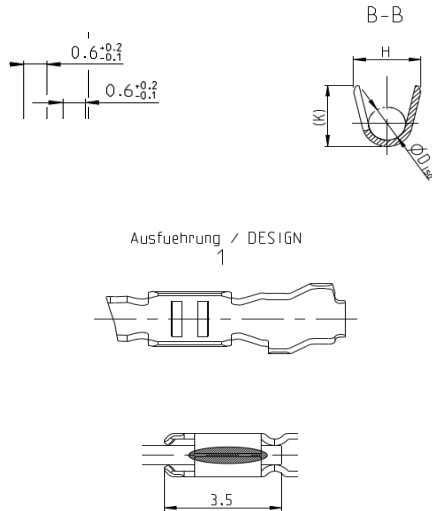
| | | | | | | | | | |
|---------------|--|--|--|--|--|--|--|--|--|
| PCN-21-110970 | | | | | | | | | |
| Yes | | | | | | | | | |

Picture:

MQS
Tabellenzeichnung Stiftkontakt
TABLE PIN CONTACT
CD-929453

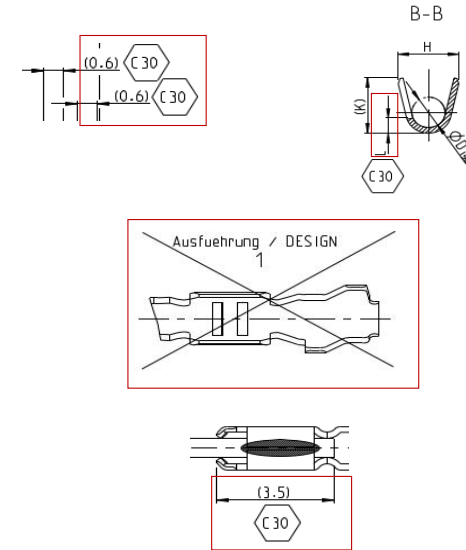
Before - Rev. C29

| | | | | | |
|---|---|-----------|---|-----------|--|
| 5-965908-3 | | A | | | |
| 5-965908-2 | | F | 965908-2 | E | |
| 5-965908-1 | | D | 965908-1 | C | |
| - | | - | 1-962886-1 | N | |
| 5-962886-1 | | A | | | |
| 5-962886-2 | | R | 962886-2 | M | |
| 5-962886-1 | | N | 962886-1 | M | |
| 2141830-3 | | A | | | |
| 2141830-2 | | A | | | |
| 2141830-1 | | A | | | |
| - | | - | | | |
| 6-963716-1 | | A | | | |
| 6-963716-2 | | A | 1-963716-2 | B | |
| 5-963716-3 | | A | | | |
| 5-963716-2 | | Z | 963716-2 | Y | |
| 5-963716-1 | | W | 963716-1 | V | |
| 6-928918-3 | | A | | | |
| 6-928918-2 | | Z | 1-928918-2 | Y | |
| 6-928918-1 | | W | 1-928918-1 | V | |
| 5-928918-2 | | A | 928918-2 | Y | |
| 5-928918-1 | | W | 928918-1 | V | |
| 2141828-3 | | A | | | |
| 2141828-2 | | A | | | |
| 2141828-1 | | A | | | |
| 1355719-3 | | A | | | |
| 1355719-2 | | C | | | |
| 1355719-1 | | C | | | |
| Bestell-Nr. Ausfuhrung ORDER NO. DESIGN 2 | Bestell-Nr. Ausfuhrung ORDER NO. DESIGN 3 | Rev. 1 | Bestell-Nr. Ausfuhrung ORDER NO. DESIGN 1 | Rev. 1 | |



After - Rev. C30

| | | | | | |
|---|---|-----------|---|-----------|--|
| 5-965908-3 | | A | | | |
| 5-965908-2 | | F | 965908-2 | E | |
| 5-965908-1 | | D | 965908-1 | C | |
| - | | - | 1-962886-1 | N | |
| 5-962886-3 | | A | | | |
| 5-962886-2 | | R | 962886-2 | M | |
| 5-962886-1 | | N | 962886-1 | M | |
| 2141830-3 | | A | | | |
| 2141830-2 | | A | | | |
| 2141830-1 | | A | | | |
| - | | - | | | |
| 6-963716-1 | | A | | | |
| 6-963716-2 | | A | 1-963716-2 | B | |
| 5-963716-3 | | A | | | |
| 5-963716-2 | | Z | 963716-2 | Y | |
| 5-963716-1 | | W | 963716-1 | V | |
| 6-928918-3 | | A | | | |
| 6-928918-2 | | Z | 1-928918-2 | Y | |
| 6-928918-1 | | W | 1-928918-1 | V | |
| 5-928918-2 | | A | 928918-2 | Y | |
| 5-928918-1 | | W | 928918-1 | V | |
| 2141828-3 | | A | | | |
| 2141828-2 | | A | | | |
| 2141828-1 | | A | | | |
| 1355719-3 | | A | | | |
| 1355719-2 | | C | | | |
| 1355719-1 | | C | | | |
| Bestell-Nr. Ausfuhrung ORDER NO. DESIGN 2 | Bestell-Nr. Ausfuhrung ORDER NO. DESIGN 3 | Rev. 1 | Bestell-Nr. Ausfuhrung ORDER NO. DESIGN 1 | Rev. 1 | |



| x | Potential Impact for Customer | x | Product Type | x | Change Type | x | Kind of Change | x | Change Feature | Remark / Free text |
|---|-------------------------------|---|--------------|---|------------------------|---|----------------|---|----------------|--|
| x | Revision adapted | x | TERMINALS | x | No Form, Fit, Function | x | Drawing | x | Drawing Change | Superseding of PN 1-928918-1. General Drawing update and correction. Also see further PCN E-20-016678 |

