



DA-500, GEN 2, Instruction Manual



WIRELESS VEHICLE DETECTION AT ITS BEST!!!

THE BASICS

- 1) Sensors detect a vehicle entering monitored area. Two sensors may be used in different areas.
- 2) A control panel receives a signal from the sensor and triggers an alert inside the home or business.

MORE OPTIONS

- 3) Add remote chimes in the front room, basement, upstairs, back yard, by the pool, or in other buildings
- 4) Set the DA-500's Timer Relay to turn on outdoor and indoor lights to warn strangers or welcome friends
- 5) Activate video surveillance to record activity and display the driveway on a monitor
- 6) Activate signs, gates, alarm panels, etc.
- 7) Add a repeater to send the signal another 1000 feet to trigger alerts in other buildings, or add a DA-660 booster-antenna for buildings up to 3/4-mile away
- 8) Monitor up to three different driveways and/or areas with different chimes or signals for each

Page(s)	Content
2	Product Features
3	Quick Installation Page
4	Sensor & Transmitter Comprehensive Installation
5	Control Panel/Receiver Comprehensive Details of Functions
6	Control Panel/Receiver Programming the Timers or the Mute Function
7-9	Control Panel/Receiver Hooking Up Chimes, Lights and Accessories
10	Accessories
11	Long Range Installation Options
12	Troubleshooting
13	Frequently Asked Questions
14	Technical Support Information and Warranty



DA-500

DA-500 Wireless Drive-Alert Features

Mier's DA-500 Buried Cable and Sensor Vehicle Detection Systems includes:

- Control Panel/Receiver with Additional Form C Dry Contacts
- Sensor with 100 feet of cable (longer or shorter lengths available)
- Internal chime with volume control and choice of three (3) different chimes
- Zoning capability to monitor up to two (2) different areas
- Ability to mute alerts for a timed period with internal button or with an accessory button
- **+24 and +12 volt DC power sources for use with accessories**
- Relay output available for use with accessories, including a programmable timer
- Visible POWER LED to monitor power status
- Use of up two DA-051 sensors if you wish to use zone alerts
- Compatible with Mier Accessories detailed in this manual (See Accessories Page), as well as many after-market accessories
- Compatible with and interface with many security panels and systems (call our tech support for assistance)
- UL Listed switching mode power supply, isolated from ground, with input voltage of 100 to 240 50/60HZ, which provides better lightening rejection. Output regulation of 24VDC +/- 0.5A with output short circuit protection with current limit until fault is cleared.

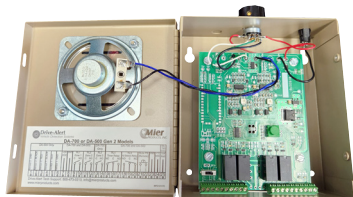
DA-500



REMEMBER, you are welcome to contact our Tech Support Team and we will be happy to “Google™ earth” your installation site, and provide you with information on the products needed, and locations for each piece to meet your installation/application goals. Don't forget to check out our website for cut-sheets, installation manuals, installation examples, and information on more products!

DA-500 Quick Test & Installation

Installation is often completed in under 30 minutes



Plug-In the Control Panel Indoors

Place the Sensor Outdoors



Improper installation is the No. 1 reason for system malfunction. Please use caution when installing the sensing probe to assure a properly operating Drive-Alert. The probe's sensor is a coil of wire wrapped around an iron rod. Its DC resistance is 700-1100 ohms. The red and black wires connect to the coil. It is encapsulated in epoxy to protect it from physical damage and moisture.

DO NOT CUT OR NICK THE CABLE JACKET!

If moisture enters, false alarms will be the result!

Mier HIGHLY recommends burying the cable in a 1/2-inch PVC pipe for added protection to the cable.

The cable is made with a thick outer cover. There is a foil wrapper surrounding the red and black wires, and a silver (bare) wire in the foil. False alarms will occur if moisture gets into the foil wrapper. Nicks in the outer cover and improper splices allow moisture to enter the cable. As moisture enters the cable, the resistance decreases. Resistance between the red or black wire to the shield wire must be infinite. (Use meter with ability to read resistance above 20 million megohms).

The ideal installation is without any splices. The use of cable other than that which is designed for the Drive-Alert is undesirable and voids the warranty. Improper splices and unsuitable cable are major causes of false alarms. If splicing is unavoidable, splice the cable using Mier's DA-054 Splice Kit, or equivalent.

The sensing probe does not know if it is in or out of the ground, but it must remain **absolutely motionless**. Most sensors and the direct burial cable are buried 6 to 8 inches deep and parallel to the driveway. **IT IS HIGHLY RECOMMENDED the sensor and the cable be buried in PVC pipe to protect them over time from rocks migrating up or down in the ground, or landscaping mishaps.**

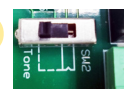
The probe responds to changes in the magnetic field around it. The signal produced by the coil is a few micro volts for a fraction of a second. The probe and cable must not be within 20 feet of electric wires because they have changing magnetic fields of their own. Never bury the sensor in the same trench with other electrical wires, including telephone wires and wires for lights, bells, etc.

The usual installation of the sensing probe is parallel to an already existing driveway. In this case, the sensor probe and cable can be buried 6 to 8 inches deep below the grass line, recommended in conduit. However, if vehicles are going to travel directly over the probe and cable, they should be buried deeper.

The burial of the probe is ideal in the center of the area being monitored, but often is not practical. If a new driveway is being put in, the sensing probe could be buried a minimum of 12-24 inches deep. The sensor and cable should also be protected whenever vehicles move over it.

First, BENCH TEST both Pieces in the Same Room:

1. Plug in the DA-500 Control Panel/Receiver (shown top left, and turn the Chime On/Off/Volume Knob all the way up. Keep the control panel door open.
2. Attach the 3 wires from the DA-051 Cable to the first three contacts on the bottom left of the terminal strip. RED to Red, BLACK to Black, and SILVER to Ground
3. Move a screw driver or ferrous metal tool over the DA-051 Sensor.
4. Test all 3 chime tones in the Control Panel using the SW2 tone switch to choose a desired tone. Turn the on/off to hear each.
5. Move the Sensor, or wave something of ferrous metal over it, in different locations to continue to test.



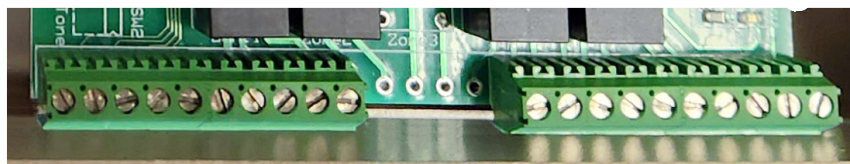
Now that you've bench tested, follow these steps to install:

6. Unhook the Sensor from the Control Panel/Chime for transporting, and then place the Control Panel/Chime and the Sensor where desired.
7. **DO NOT Bury The Sensor initially.** Test the location for a week before burying.
8. If you are just monitoring one area, you won't need to worry about Zone jumpers. However, IF using more than one Sensor to monitor two zones/areas, the Control Panel can respond with a different chime for each. Pull the JP3 jumper, and test by triggering one Sensor at a time.



The DA-500 Control Panel must be mounted indoors, at least 12 inches from any metal pipes, power conduits, breaker boxes, Modems, phones, etc., and where 110 volts AC power is available. Simply plug the Control Panel into a wall outlet, and attach the three wires from the DA-051 Sensor Cable (see page 7).

The relay contacts on the terminal board are Form C dry contacts, and may be supplied with 24 or 12 VDC with the addition of a jumper from the needed voltage to the C terminal. The Control Panel will operate Mier's Drive-Alert accessories listed on the "Accessories" pages of this manual. It can also be used to control external bells, surveillance systems, signs, gates and relays. An adjustable time control provides from as low as 1.5 seconds up to 1 hour of relay closer for each alert. The following pages show examples of hooking up external equipment, including Mier's accessories, to be triggered by the DA-500 when a vehicle is detected.



DA-500 Drive-Alert Sensor Installation Guide

DA-051-100



Mier Products' Sensors detect changes in the magnetic field (movement of ferrous metal) within 24 feet in every direction (based on a sedan traveling 5mph). They do not false-alarm from animals, wind, rain, etc. The coils and core are epoxied and encased in a weather-sealed, NEMA 4X wand for worry-free weather and corrosion protection. They detect through building materials such as brick, stone, vinyl siding, etc. so in many drive-up window applications they may be installed inside the wall next to the drive. They are powered through the cable from the control panel.

The Sensor wand portion should be placed next to the drive or area to be monitored, and at least 50 feet from road traffic to prevent false alarms (see below). The Sensor should be parallel to the drive.

Installing the sensor near or directly on a tractor, trailer, gas pump, vehicle, etc. will provide ASSET PROTECTION, as an alarm will trigger whenever the sensor or the asset itself is moved.

If occasional false alarms occur, or you are not detecting some vehicles, you can relocate the Sensor, or adjust the sensitivity adjust-pots on the electrical board. Maximum sensitivity adjustment is counter-clockwise, and minimum is clockwise. Reducing sensitivity will reduce detection of road traffic, but would also reduce the detection sensitivity in the driveway.

Lightning strikes cause a large disturbance in the magnetic field, so nearby strikes will cause an alarm. It is also possible for electrical current variations in nearby power lines to cause an alarm.

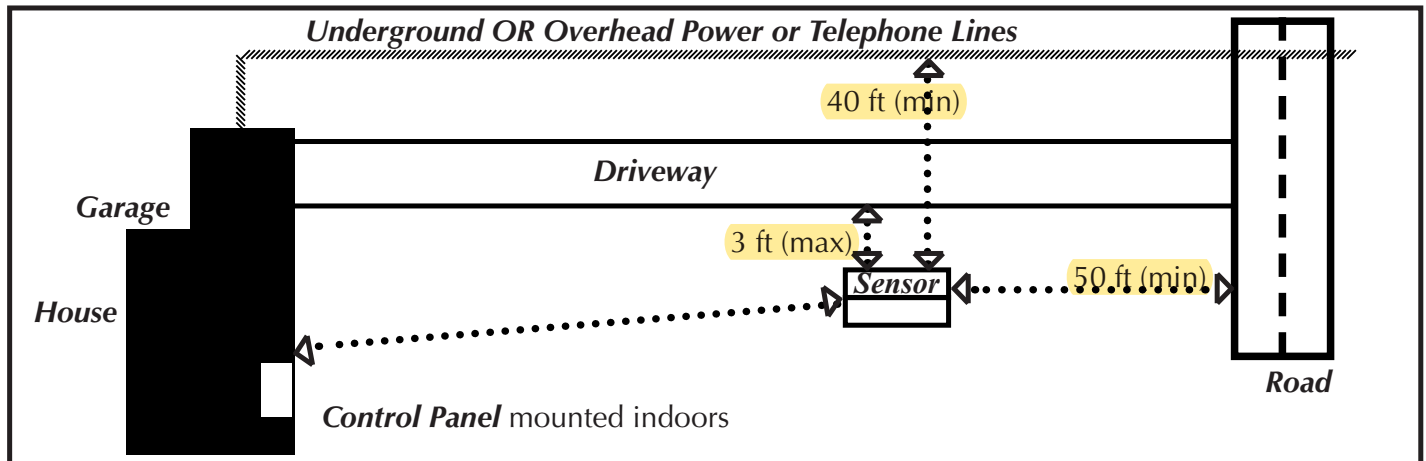
The standard cable length on a DA-051 is 100 feet of cable, but if a different length is needed, add the number of feet of cable required (in 50 foot increments) to the end of the part number, for example: if you want 250 feet of cable use part number DA-051-250.

Test the system using a vehicle to pass by the Sensor at 5 to 10 MPH, with a direct line of sight, or by swinging a steel object along the long side of the Sensor. Either should set off the audible alert.

Once testing is successful, choose the final mounting locations and perform vehicle pass or wave ferrous metal near the sensor to test repetitively for consistent detection before finalizing installation and burying any cable if needed.

Detection-distance from the sensor for a standard-size modern sedan moving 5MPH

Maximum sensitivity	14 feet	17 feet
Factory set sensitivity	13 feet	16 feet
75% sensitivity	11 feet	14 feet
50% sensitivity	9 feet	12 feet
Minimum sensitivity	7 feet	10 feet



DA-500 Control Panel Installation Guide



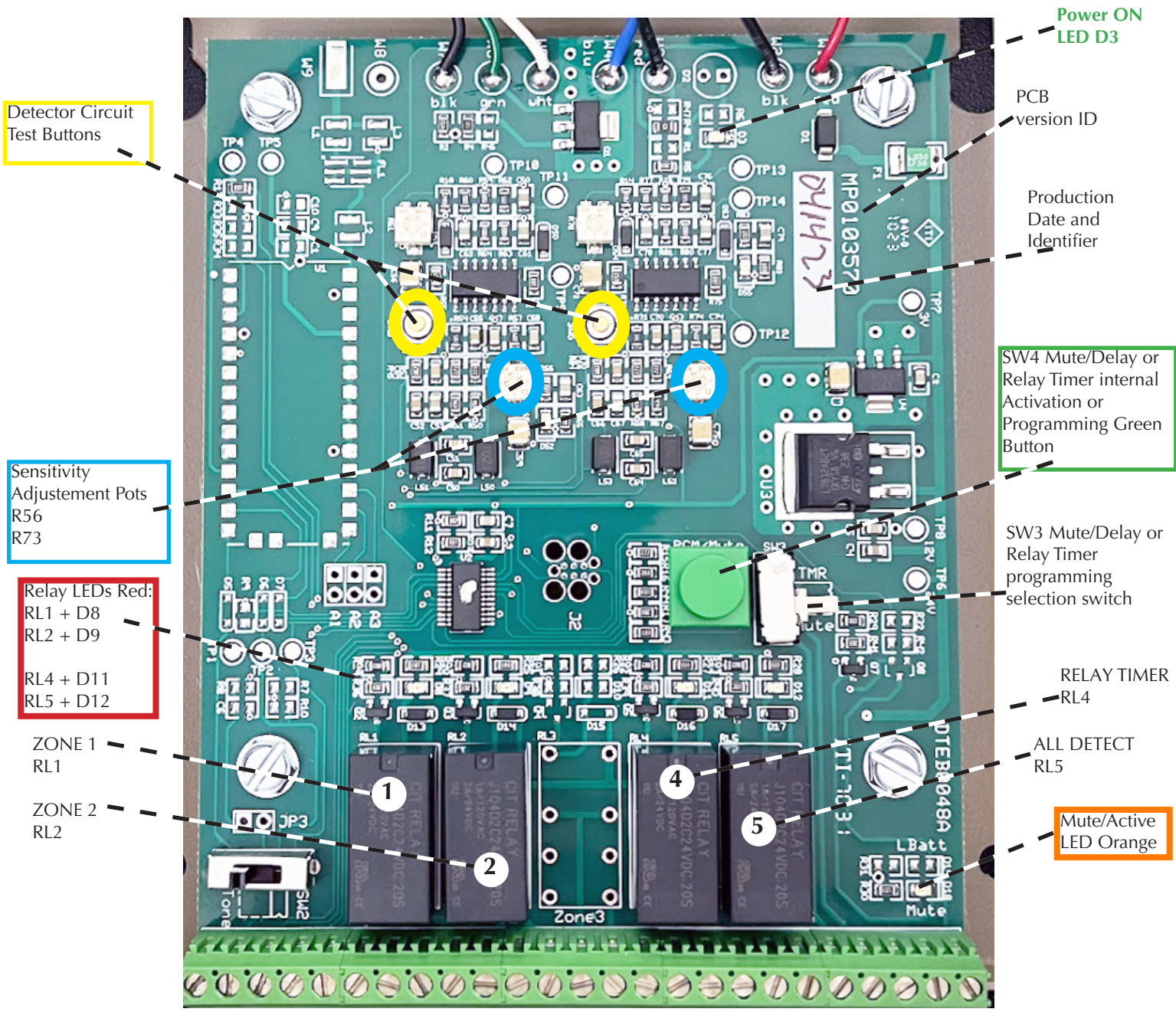
Under the **DA-500 Control Panel** cover you will see the electrical board (shown below).

A **Power LED GREEN** indicates that the power is on and that the internal solid-state 1 Amp Fuse is okay.

Zoning detects 2 separate areas and provide different tones for each. The RL1/D8 and RL2/D9 LEDs light up when a corresponding Sensor detects activity in that zone.

The **Mute/Delay and Relay Timer Switch** allows you to choose which you will program using the green program button next to it. See the next page for instructions on setting the time and activating the Mute/Delay, as well as setting the Relay Timer for accessories.

An orange LED activates if the Mute/Delay internal button or accessory external button is activated.



DA-500 Control Panel Programming the Accessory Timer or the Mute/Delay

The Mute/Delay and Accessory Timer are programmed the same way. Both timers are monitored by either relays or logic values.

Both retain their programs if the unit is powered off and on, or if there is a power outage. They can be reprogrammed or erased.

The Mute/Delay can be set for 10, 20, 30 or 60 minutes. The Accessory Timer can be set for 1.5 seconds or 5, 30 or 60 minutes.

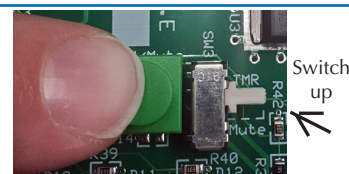
The factory default for both programs is set at 0. Both timers “see the software timing function” detect control bit, but will only activate if there is a value (time) programmed into the timer.

When either timer is activated and then reaches the programmed time period parameter, they will deactivate and automatically reset until they are triggered again. If the timer is active and still within the programmed time, and another alert is detected, the timer will not reset but continue the initial programmed time.

If you wish to reset the timer manually, turn off the power switch of the Control Panel to first deactivate the timer, and then turn it back on to put it back into “ready mode.”

To program the Accessory Timer Relay:

Move the SW3 switch to the Timer position and push the Green Button for 6 seconds as shown here, and release the Green Button as soon as the LED begins to flash.



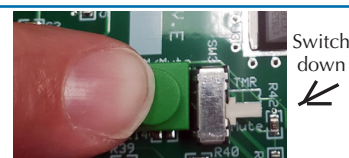
The LED will flash for 6 seconds, and you must set your programming while it's flashing in this 6-second window.

While it's flashing, depress the Green Button the number of times corresponding to the amount of Mute/Delay time you desire:

- Depressing the Green Button 1 time will give you a Timer activation of a quick 1.5 seconds
- Depressing the Green Button 2 times will give you a Timer activation of 5 minutes
- Depressing the Green Button 3 times will give you a Timer activation of 30 minutes
- Depressing the Green Button 4 times will give you a Timer activation of 1 hour
- After the LED stops flashing, if you have depressed the Green Button 1, 2, 3 or 4 times, your program is set.
- **Move the SW3 switch back to the Mute position to keep both the Timer and the Mute in “ready mode” so they can be activated**
- **To test, push the Green Button and the Timer LED will light on for the time-period selected**

To program the timer period for Mute/Delay:

Move the SW3 switch to the Mute/Delay position and push the Green Button for 6 seconds as shown here, and release the Green Button as soon as the LED begins to flash.



The LED will flash for 6 seconds, and you must set your programming while it's flashing in this 6-second window.

While it's flashing, depress the Green Button the number of times corresponding to the amount of Mute/Delay time you desire:

- Depressing the Green Button 1 time will give you a Mute/Delay of 10 minutes whenever the button is pushed again
- Depressing the Green Button 2 times will give you a Mute/Delay of 20 minutes whenever the button is pushed again
- Depressing the Green Button 3 times will give you a Mute/Delay of 30 minutes whenever the button is pushed again
- Depressing the Green Button 4 times will give you a Mute/Delay of 1 hour whenever the button is pushed again
- After the LED stops flashing, if you have depressed the Green Button 1, 2, 3 or 4 times, your program is set.
- **Keep the SW3 switch in the Mute which will keep both the Mute and the Timer in “ready mode” so they can be activated**
- **To test, push the Green Button and the Mute LED will stay on for the time period selected**

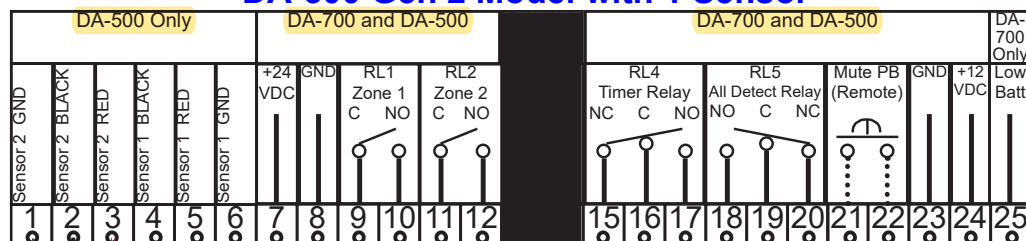
To program either the Mute/Delay or the Timer back to the default 0 setting:

- Move the SW3 switch to either the Mute/Delay or the Timer position depending on which you want to set back to 0
- Depress the Green Button for 6 seconds until it starts flashing
- Release the Green Button as soon as it starts flashing, and then do not touch it again
- Once it stops flashing, after approximately 6 seconds, it will be set back to the factory default time setting of 0

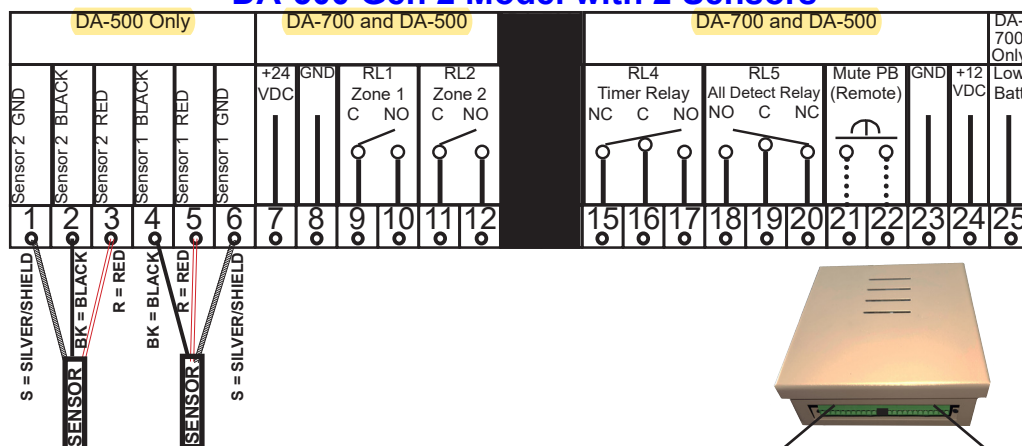
DA-500 Control Panel Terminals

The terminal block provides convenient wire connection for external device control and tests. **All contacts are dry, rated low voltage/low current, so DO NOT APPLY 120VAC to any of these contacts. Attach your wiring to the terminal block securely.**

DA-500 Gen 2 Model with 1 Sensor



DA-500 Gen 2 Model with 2 Sensors



- 1 = S Wire Silver/Shield Wire for Sensor (see first illustration above)
- 2 = BK Wire BLACK Wire for Sensor (see first illustration above)
- 3 = R Wire RED Wire for Sensor (see first illustration above)
- 4 = BK Wire BLACK Wire if using optional second Sensor (see second illustration above)
- 5 = R Wire RED Wire if using optional second Sensor (see second illustration above)
- 6 = S Wire Silver/Shield Wire if using optional second Sensor (see second illustration above)
- 7 = +24VDC +24VDC Power Source to Operate Accessories
- 8 = Gnd Ground or -24VDC or -12VDC
- 9 = Zone 1 C - Common for Zone 1 Relay (RL-1 LED)
- 10 = Zone 1 NO - Normally Open Contact for Zone 1
- 11 = Zone 2 C - Common for Zone 2 Relay (RL-2 LED)
- 12 = Zone 2 NO - Normally Open Contact for Zone 2
- 13 & 14 = DA-700 model only
- 15 = Timer Relay NC - Normally Closed Contact for Relay (RL-4 LED)
- 16 = Timer Relay C - Common for Timer
- 17 = Timer Relay NO - Normally Open Contact for Timer Relay
- 18 = All Detect Relay NO - Normally Open Contact for All-Detection Relay
- 19 = All Detect Relay C - Common for All-Detection Relay
- 20 = All Detect Relay NC - Normally Closed Contact for All-Detection Relay (RL-5 LED)
- 21 = Mute/Delay Accessory Switch Input for Mute/Delay Control if green internal Mute/Delay button is not convenient
- 22 = Mute/Delay Accessory Switch Input for Mute/Delay Control if green internal Mute/Delay button is not convenient
- 23 = Gnd Ground or -24VDC or -12VDC
- 24 = +12VDC +12VDC Power Source to Operate Accessories
- 25 = Low Battery Logic Levels: +10 V means the Battery is okay, 0 Volts means the Battery is low and the D19 LED is on

If using Zoning:

- Zone 1 Chime = Ding Dong
- Zone 2 Chime = Ding Ding Ding

The Timer Relay for lights and other devices can be set for a quick 1.5 seconds, or for 5, 30 or 60 minutes.

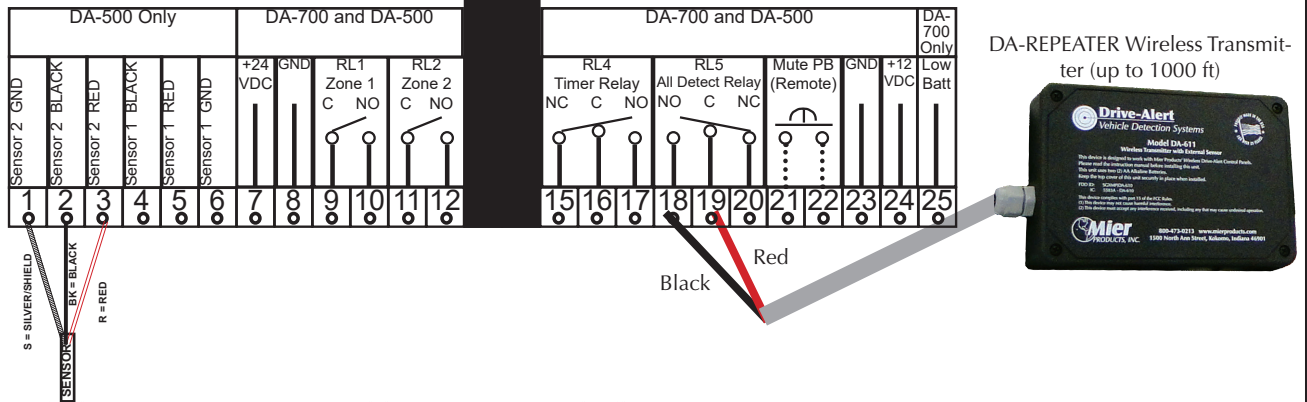
Mute can be set for 10, 20, 30 or 60 minutes

If any relay operates (the relay's LED is on) the contacts between the Common and Normally Open will CLOSE.

If the relay operates (the relay's LED is on) the contacts between the Normally Closed and Common will OPEN (ex: RL4, 9&10)

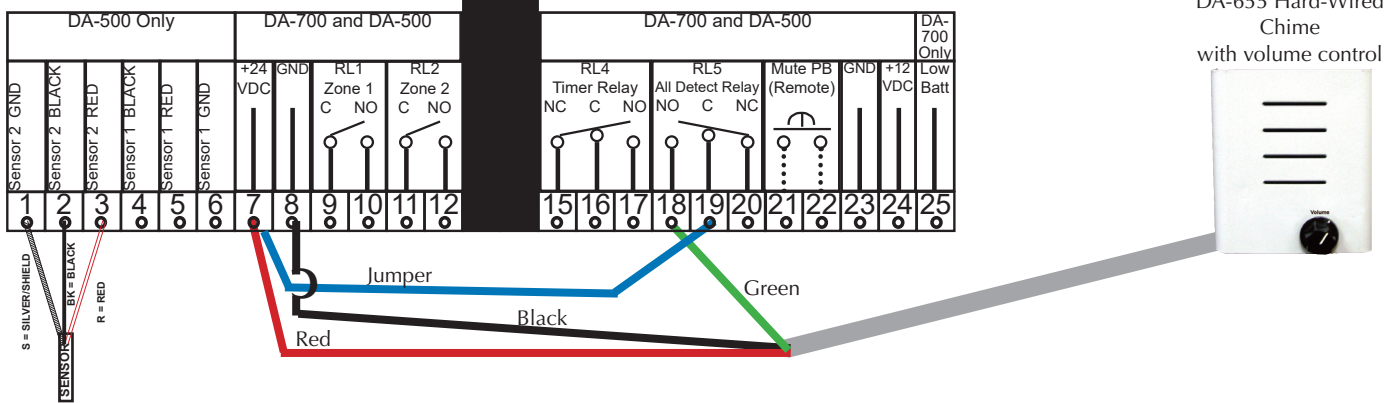
DA-500 Control Panel Hooking Up Other Equipment

Connecting a DA-REPEATER Wireless Alert Transmitter, for DA-100 and other Control Panels, to a DA-500 Control Panel



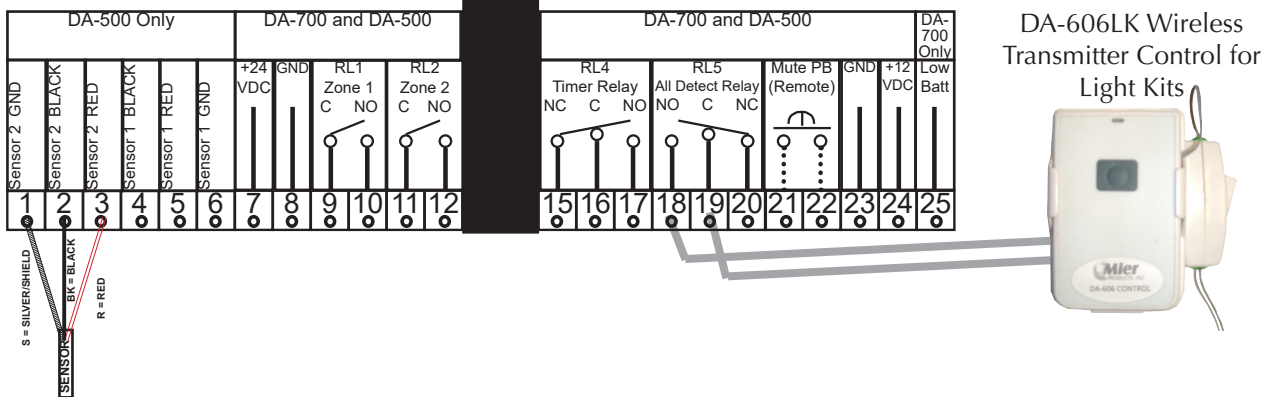
Red wire from inside the gray DA-REPEATER cable to #19 terminal/All Detect "C" Common.
Black wire from inside the gray DA-REPEATER cable to #18 terminal/All Detect "NO" Normally Open.

Connecting a Hard-Wired DA-655 Chime to a DA-500 Control Panel



Red wire from DA-655 to #7 terminal/+24DC. **Black wire** from DA-655 to #8 terminal/GND. **Green wire** from DA655 to #18 terminal/All Detect "NO" Normally Open. **Jumper wire** from terminal #7/+24DC to #19 terminal/All Detect "C" Common.

Connecting Wireless Transmitters, such as Mier's DA-606 Wireless Transmitter Control for lights to a DA-500 Control Panel

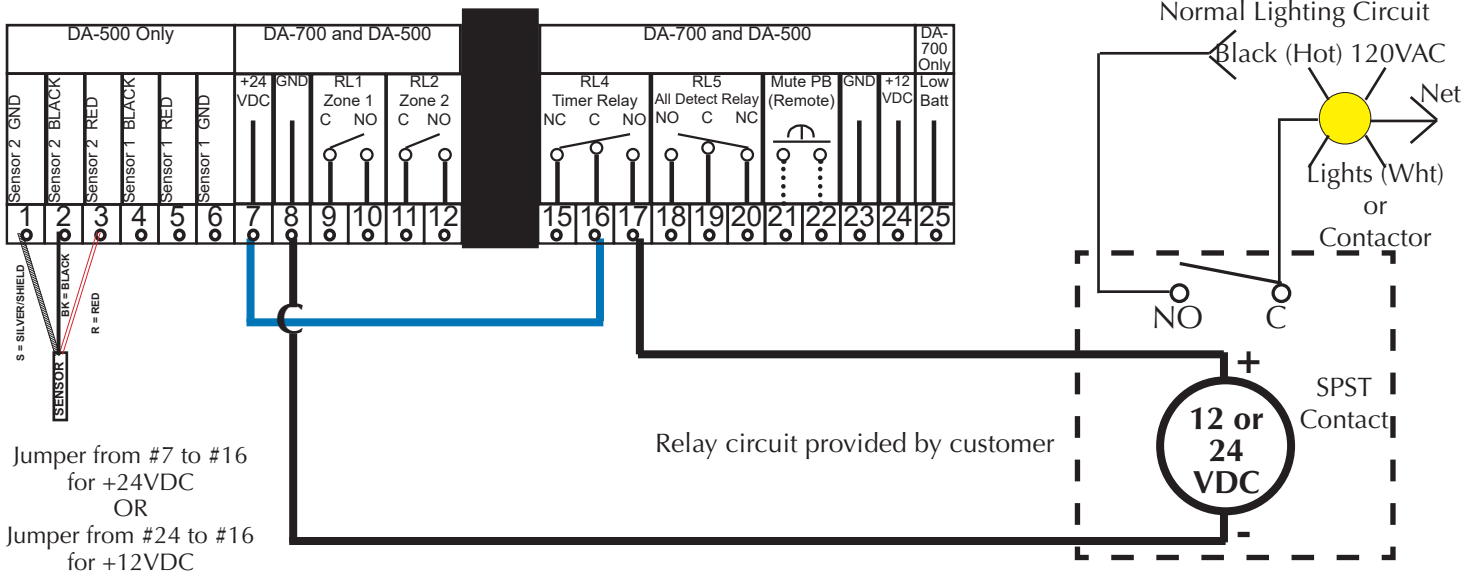


Two Gray wires from the DA-606LK wireless light transmitter: one goes to #19 terminal/All Detect "C" Common, and the other goes to terminal #18/All Detect "NO" Normally Open.

DA-500 Control Panel Hooking Up Other Equipment Continued

Connection for Timer-Controlled, Hard-Wired, Lights to a DA-500 Control Panel

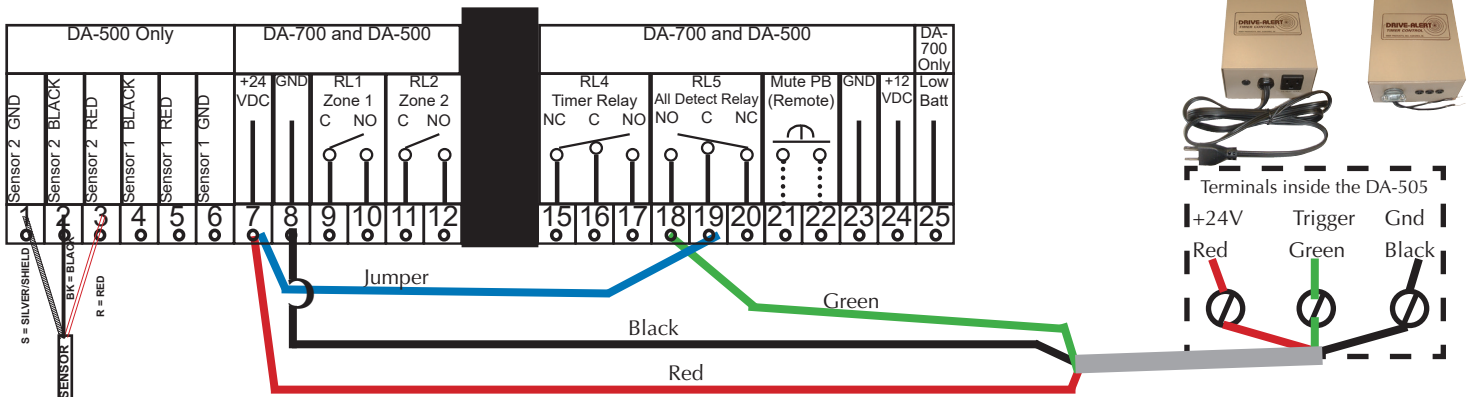
To connect a customer-supplied +24vdc or +12vdc Contactor/Relay to the timer control circuits, follow these instructions:



1. **Jumper** from #7 terminal +24vdc **OR** #24 terminal/+12vdc, to #16 "C" Common of RL4 Timer Relay.
2. Customer provided relay will connect to #8 terminal GND and to #17 terminal "NO" Normally Open of RL4 Timer Control Relay.

NOTE: The DA-052 Remote Whistle hooks up this way too.

Connecting a DA-500 Control Panel to a DA-505 or DA-505W Timer Control Unit



Red wire from DA-505(w) to #7 terminal/+24DC. **Black wire** from DA-505(w) to #8 terminal/GND. **Green wire** from DA-505(w) to #18 terminal/All Detect "NO" Normally Open. **Jumper wire** from terminal #19/All Detect "C" Common to #7 terminal/+24DC.

Accessories

WIRELESS DRIVE-ALERT ACCESSORIES:



DA-100CP DA-REPEATER DA-606 DA-071 DA-072 DA-073

- **The DA-100CP Long Distance Remote Chime** is actually a self-contained Control Panel/Receiver that receives a signal from up to 1000 feet of any of Mier's wireless Sensor/Transmitters, or a DA-REPEATER, and provides a pleasant tone as an alert. It also includes volume control.
- **The DA-REPEATER** can be attached to a DA-700 or DA-500 Control Panel/Receiver and repeats the signal to other wireless Control Panel/Receivers (DA-100CP, DA-700CP) up to 1000 feet away, or up to 3/4-mile with the use of a DA-660 Antenna (see previous page).
- The **DA-606LK Wireless Light Kit** comes with a **DA-606 Timer Control**, a **DA-071 Light-Switch**, and a **DA-072 Lamp Module**. Any number and combination of light-switches and lamp modules may be used. The **DA-073 Heavy-Duty Outlet** includes a top receptacle that handles up to a maximum of 1800 watts or a maximum of 15 amps.

HARD-WIRED DRIVE-ALERT ACCESSORIES:



DA-655 DA-500LKA DA-052V DA-505 DA-505W DA-050

- **The Hard-Wired DA-655 Chime with Volume Control** is our most popular accessory for the model DA-500 Drive-Alert in Drive-up Window or business applications!
- **The DA-500LKA** is a set of Form C Dry Contacts that can be attached to the DA-700 or DA-500 Control Panels.
- **The DA-052V Whistle with Volume Control** – is used with the DA-700 when a second hard-wired whistle is desired.
- **The Hard-Wired DA-505 Timer Control** will turn on 10 amps of lights, sirens or bells from 1-45 minutes. The DA-505 unit simply plugs into a 120 VAC outlet and contains its own receptacle to provide power to lights or alarms.
- **The Hard-Wired DA-505 Timer Control** will turn on lights, sirens or bells from 1-45 minutes. The DA-505W is a "stand alone" unit that gets its power from the Drive-Alert, and provides a N.O., timed, dry contact to switch a load (lights, contactors, bells, etc) rated at 10 amps, 120 volts AC. The DA-505W is a terrific intermediate interface with a "healthy" large relay within, that may be used to control other functions such as triggering a large commercial lighting contactor, billboards, holiday lights, etc.
- **The DA-050 Power Pack** is a replacement power-pack/transformer for the Drive-Alerts.

If your Drive-Alert accessories do not look like these, you may have older models. Please call Mier's free tech support line at 800-473-0213

Four Options for Long Range Drive-Alert Installations



The DA-051 Longer lengths of buried sensor cable:



The DA-051 typically comes with 100 feet of cable, but other lengths can be ordered in 50-foot increments from 50 feet up to 2500 feet. When ordering, just add the number of feet desired to the end of the part number: for example if you want 250 feet of cable order a DA-051-250.

The DA-REPEATER is perfect for providing additional alerts in remote buildings

This Drive-Alert Signal Repeater can be attached to any DA-700 or DA-500 Drive-Alert Control Panel/Receiver. It will repeat the alert signal to other wireless Control Panel/Receivers (DA-100CP, DA-700CP) up to an additional 1000 feet away, or another 3/4-mile if DA-660s are used with them. If a site has multiple buildings and/or locations where an alert is desired, add a DA-REPEATER to a DA-700 Control Panel/Receiver, and then add DA-100CP Chimes with Volume Control (shown below) in those other buildings.



The DA-100CP Long-Distance Remote Chime for adding chimes to remote buildings:

The DA-100CP is actually a self-contained Control Panel/Receiver on its own, and receives a signal from up to 1000-feet of any of Mier's wireless Sensor/Transmitters, OR a DA-REPEATER (shown above), and provides a pleasant tone as an alert. It also includes volume control.

The DA-660 Reception Booster Antenna is perfect when monitoring remote buildings or equipment:

This antenna is used to increase the standard reception distance of 1000-feet, to up to 3/4-mile from the Sensor/Transmitter to the Control Panel/Receiver. Simply unscrew the standard antenna on the DA-700 Control Panel or DA-100 Control Panel and 75ohm coaxial cable, RG6, to the F Connectors on the Control Panel and the DA-660 Reception Booster Antenna.

- * 34" Long, 13" Wide, 1" High and weighs approximately 1 pound
- * Frequency = 433.92 MHz
- * Impedance = 75 Ohms
- * Gain = 10.6 dB
- * Type = 7 Element Yagi

NOTE:
This is typically used for the DA-700 Wireless Drive-Alert System, but can be used with the DA-REPEATER and DA-100CP listed above as accessories to the DA-500.



Contact our Tech Support Team and we will be happy to "Google™ earth" your installation site, and provide you with information on the products needed, and locations for each piece to meet your installation/application goals. Check out our website for cut-sheets, installation manuals, installation examples, and information on more products!

DA-500 Troubleshooting

FALSE ALARMS ON THE DA-500CP GEN II

Some basic troubleshooting steps.

- 1. Disconnect all accessories and security panel connections prior to troubleshooting.**
- 2. Make sure there aren't any shorts between the wires. Please refer to page 7 of the DA-500, GEN2, manual for proper wiring instructions. Test the system after verifying the wiring and if you are still getting false alarms proceed to step 3.**
- 3. Check the sensor placement to make sure it is physically secure, 50' from a main road, and 40 feet from main power/phone lines. Please refer to page 4 of the DA-500CP Gen II manual for proper installation instructions. Test the system after verifying that the probe is in the proper location and if you are still getting false alarms proceed to step 4.**
- 4. Remove the sensor cable wires (Red, Black, and Bare) from the terminal strip and use a multimeter to test the sensor/cable. **With the meter on the lowest ohms scale test across the red and black wires this reading should be 900-1100 ohms, it is important to not touch the probe tips or wires during the test.****
- 5. Use a multimeter to test the sensor/cable. **Test the red and bare wires, this should display as an open circuit, same as if you hold the probes in the air not connected to anything. Next test the black and bare wires this also should be an open circuit like the Red and bare wires. Any reading from ohms to mega ohms indicates a bad cable. If your sensor/cable tests good with the multimeter and you are still getting false alarms reconnect your sensor cable and proceed to step 6.****
- 6. If the sensor/cable has been eliminated as a cause, please check that the control panel is at least 15 feet from cell phones, cordless phones, routers, and any equipment that can transmit RF/EMF fields.**
- 7. If you suspect two-way radio interference you can install a ferrite bead on the sensor cable. This device can be purchased from Amazon with ASIN number B005S45GK2, DIGIKEY with Digikey part number 1934-1429-ND, or by searching with its manufacturing number 043117395. It will clamp onto the sensor/cable close to the DA-500CP.**

If at this point you are still getting false alerts call Mier Products for Free phone-based tech support @ 1-800-473-0213.

DA-500 Drive-Alert Frequently Asked Questions

Q: How many Sensor/Transmitters can be used?

A: Two hard-cabled sensors. If more are needed, consider our wireless systems.

Q: How many accessory devices can be used (see page 10-11)?

•DA-655 Wired Chime	QTY 3, with a maximum of 50 feet of wire
•DA-063 8 inch Bell	QTY 2
•DA-052V Hard-Wired Remote Whistle	QTY 5
•DA-REPEATER Wireless Chime Transmitter	QTY 1, Note: only 1 needed to trigger DA-100 (see below)
•DA-100CP Wireless Chimes/Receivers	QTY Unlimited
•DA-606 Wireless Timer Control	QTY 1, Note: only 1 needed to trigger the following three
•DA-071 Wireless Light Switch	QTY Unlimited
•DA-072 Wireless Lamp Module	QTY Unlimited
•DA-073 Heavy-Duty Outlet	QTY Unlimited
•Miscellaneous Sounder	QTY # That adds to 100mA(max) load

Q: Does the unit have the capability when it determines an alarm is to be sounded, to trigger another device?

A: Each unit DOES have this capability as the relays are available for use (see page 6-7).

Q: Can a camera be activated by the Drive Alert?

A; Yes, by using the Form C dry contact mode or by buffering with an external relay in the non-dry contact mode (see page 6-7).

Q: Can a gate be activated by the Drive Alert?

A: Yes, by using the Form C dry contact mode or by buffering with an external relay in the non-dry contact mode but safety care should be taken for the event a person or vehicle is in the gate's path (see page 6-7) .

Q: Can vehicles be counted using the Drive Alert?

A: Yes, by using the Form C dry contact mode or by buffering with an external relay in the non-dry contact mode.

Q: Can the Drive Alert provide a contact closure for detection to open/lift an arm and then close it when the vehicle has cleared the area?

A: No, it does not provide intelligence beyond the simple sensing that the magnetic field has been disturbed. Once disturbed a closure occurs for a user defined time up to 12 seconds at which time the gate or arm will then return to its home position. For these types of functions external logic and timing is required.

Q: Can the Drive Alert sense which way the vehicle is traveling?

A: No, it does not include this capability and would require either external methods or the use of two systems and most likely external logic to sequence the two systems for this determination.

Q: How can I determine if something NOT a magnetic metal is moving?

A: Within the range of the sensor, attach a magnet or a metal that has magnetic characteristics such as steel. Now, whenever it moves, the sensor senses it and transmits to the Receiver/Control Panel and the alarm is set off.

Q: Does the Drive Alert sense people?

A: No, it doesn't sense people or animals, only changes that result in a magnetic field disturbance. IF detecting people or animals is needed with a Drive Alert, then a magnet or significant magnetic metal must be on the person/animal.

Mier Products' Drive-Alert Technical Support

Mier Products, Inc. provides **free telephone and email lifetime technical support** for all of our Drive-Alert vehicle detection systems. Call us between the hours of 8:00 am and 5:00 pm EST, send an email, or download our Cut-Sheets, Instruction Manuals, or FAQs from our website. **800-473-0213 ~ info@mierproducts.com ~ www.mierproducts.com**

Mier Products' Drive-Alert Warranty

Limited Warranty for Drive-Alert Models and Accessories Manufactured by Mier Products, Inc.

Mier Products, Inc.'s Limited Warranty Program for Drive-Alert Series of Vehicle Detection Systems and Drive-Alert Accessories protects the original owner for one year from the date of purchase against defects in original parts or workmanship. Mier Products, Inc. agrees to repair or replace parts (Mier's option) that are deemed defective by our Quality Control Team, without charge for parts or labor, if the defective unit is returned prepaid to Mier Products, Inc., Kokomo, IN, within the one-year period.

Close inspection and testing, at the time of receipt by the customer, will quickly determine product quality. Thus, Mier Products, Inc. recommends inspection of, and testing, the Drive-Alert models, direct burial cable, and accessories immediately upon receipt, *before installation or driving to an installation site*, and contacting Mier Products, Inc. if quality issues arise.

NOTE: Sensors and cables that have been buried are not covered. Wireless sensors that have been sitting in flooded areas or standing water are not covered.

Mier Products, Inc. does not assume responsibility for claims or damages caused by improper installation or use of these products, accessories, and/or products connected to or stored within them. Mier Products, Inc. does not assume responsibility for damages to these products or their accessories due to shipping damage or damage occurring while in a customer's warehouse and/or possession. Mier Products, Inc. does not assume responsibility for damage due to accident, faulty wiring, overload of Drive-Alert System or Drive-Alert accessory output, or components attached to the Drive-Alert parts. Drive-Alert models and accessories must be shipped, handled, stored, and installed with strict adherence to OEM installation instructions.

Drive-Alert accessories and parts built by other OEMs (including but not limited to chimes, lamp modules, light switches, bells, splice kits) are covered under their respective OEM warranties.

This warranty constitutes the entire warranty with respect to Mier's Drive-Alert Models and Accessories and IS IN LIEU OF ALL OTHERS, EXPRESSED OR IMPLIED, INCLUDING ANY WARRANTY OR MERCHANTABILITY AND WARRANTY OF FITNESS FOR A PARTICULAR PURPOSE AND IN NO EVENT IS MIER PRODUCTS, INC., OR IT'S DISTRIBUTOR, DEALER, OR OEM PARTNERS, RESPONSIBLE FOR ANY CONSEQUENTIAL DAMAGES OF ANY NATURE WHATSOEVER.

Any warranty OR sales questions should be directed to Mier Products at 800-473-0213, or via e-mail to info@mierproducts.com

Any repair work not covered by this Warranty is available for a nominal charge.

Products which customers wish to return for reasons other than Warranty must first call Mier Products, Inc. to receive a Return Material Authorization Number (RMA#). Returns are subject to a 15%-20% re-stocking fee as well as return shipping.



NOTES

Date of Drive-Alert Installation: _____

Name of Installer and Installation Company: _____

Phone number and email of Installer/Company: _____

Mier Product's Drive-Alert Equipment Installed and Part Numbers: _____

Name/Contact Information of where the *Mier Products' Drive-Alert* Equipment was purchased if different than Installation Company:

Other manufacturer and accessories/equipment installed and part numbers: _____

Name/Contact Information of where the *other* Equipment was purchased if different than Installation Company above:

NOTES