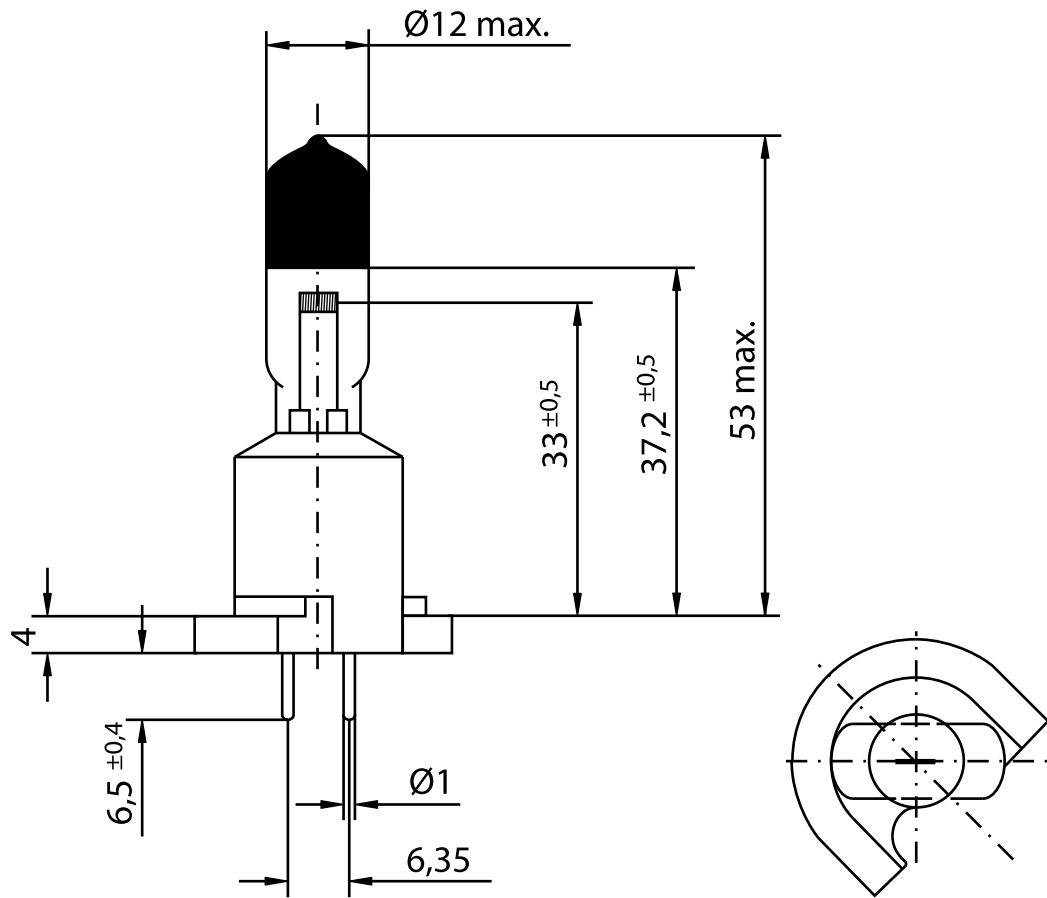


INDUSTRIAL SPECIALTY LIGHTING

Industrial medical - Datasheet



MEDICAL LAMPS - 21.5V 130W SPECIAL

PRODUCT NUMBER **302936980** []

Tol.

VOLTAGE	21.5	V	
WATTAGE	130	W	
LUMEN OUTPUT	3500	LM	± 15
LUMEN PRO WATT	25.9	LM/W	
AVERAGE LIFE	1000	H	
BASE	SPECIAL	/	
REMARKS	BLUE 80		
BRAND	DR. FISCHER		

FOR INFORMATIONAL PURPOSES ONLY. SIL INT. BV. DISCLAIMS ALL WARRANTIES WITHOUT LIMITATION. INFORMATION MIGHT BE SUBJECT TO CHANGE.



MEDICAL



ENTERTAINMENT



TRAFFIC



MARINE



RAILWAY



AIRFIELD



VARIOUS



TAILOR MADE



IR / UV



PROJECTION



Special industrial Lighting
Ruysdaelbaan 3F
5642 JJ Eindhoven
The Netherlands

Tel : + 31 40 2868 913
Fax : + 31 40 2868 207
Website: www.sillamps.com
Email : silint@special.nl