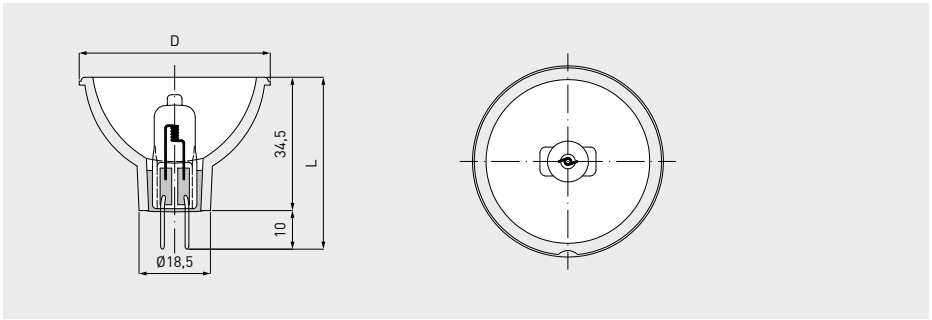


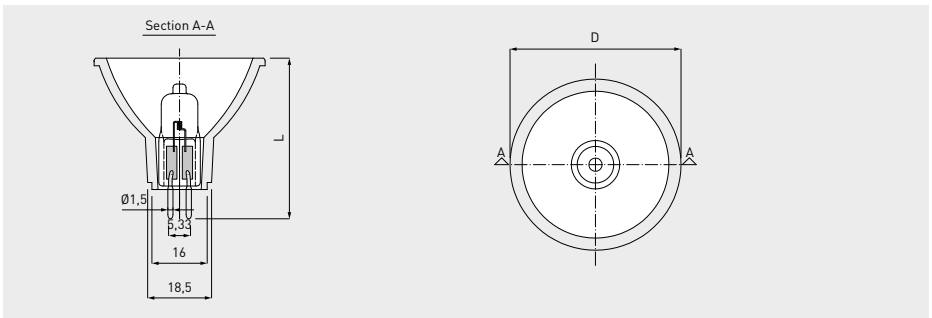
## Halogen Lamps

### Operation lighting

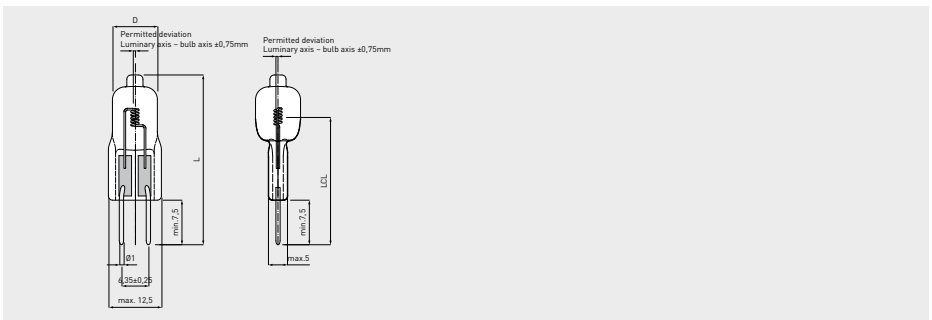
For special features, specific benefits and areas of use see page 114



Article no.	Description	V	W	Am- perage	Cap	reflector diameter	Total length L	Light centre length	Lumi- nous flux	Average life	Individual life	Burning position	PU
						mm	max. mm	mm	lm	h	h		
00847160	22.8V 50W GX 5.3 axial short with reflector	22.8	50		GX5.3	50	44.5		1,100	700			



Article no.	Description	V	W	Am- perage	Cap	reflector diameter D	Total length	Light centre length	Lumi- nous flux	Average life	Individual life	Burning position	PU
						mm	max. mm	mm	lm	h	h		
00847806	22.8V 30W GX5.3	22.8	30	1.3	GX5.3	50	46.5		600	800			



Article no.	Description	V	W	Am- perage	Cap	Bulb diameter D	Total length L	Light centre length	Lumi- nous flux	Average life	Individual life	Burning position	PU
						max. mm	max. mm	mm	lm	h	h		
860022840A	22.8V 40W G6.35 axial 700lm	22.8	40		G6.35	11	44	31.25	700	1,000		S90	
860022840T	22.8V 40W G6.35 transversal	22.8	40	1.75	G6.35	12	44	30.5	800	1,000		S90	
86022850AX	22.8V 50W G6.35 axial	22.8	50	2,2	G6.35	11	44	30.5	1,100	700		S90	
860022850T	22.8V 50W G6.35 transversal	22.8	50	2,2	G6.35	11	44	30.5	950	1,000		S90	
8600255000	22.8V 50W G6.35 axial	22.8	50		G6.35	11	44	30.5				S90	
87022840AX	Halogen lamp 22.8V 40W AX	22.8	40		G6.35	11	44	30.5	900	800		S90	
87022850AX	Halogen lamp 22.8V 50W AX special	22.8	50		G6.35	11	44	30.5	1,100			S90	