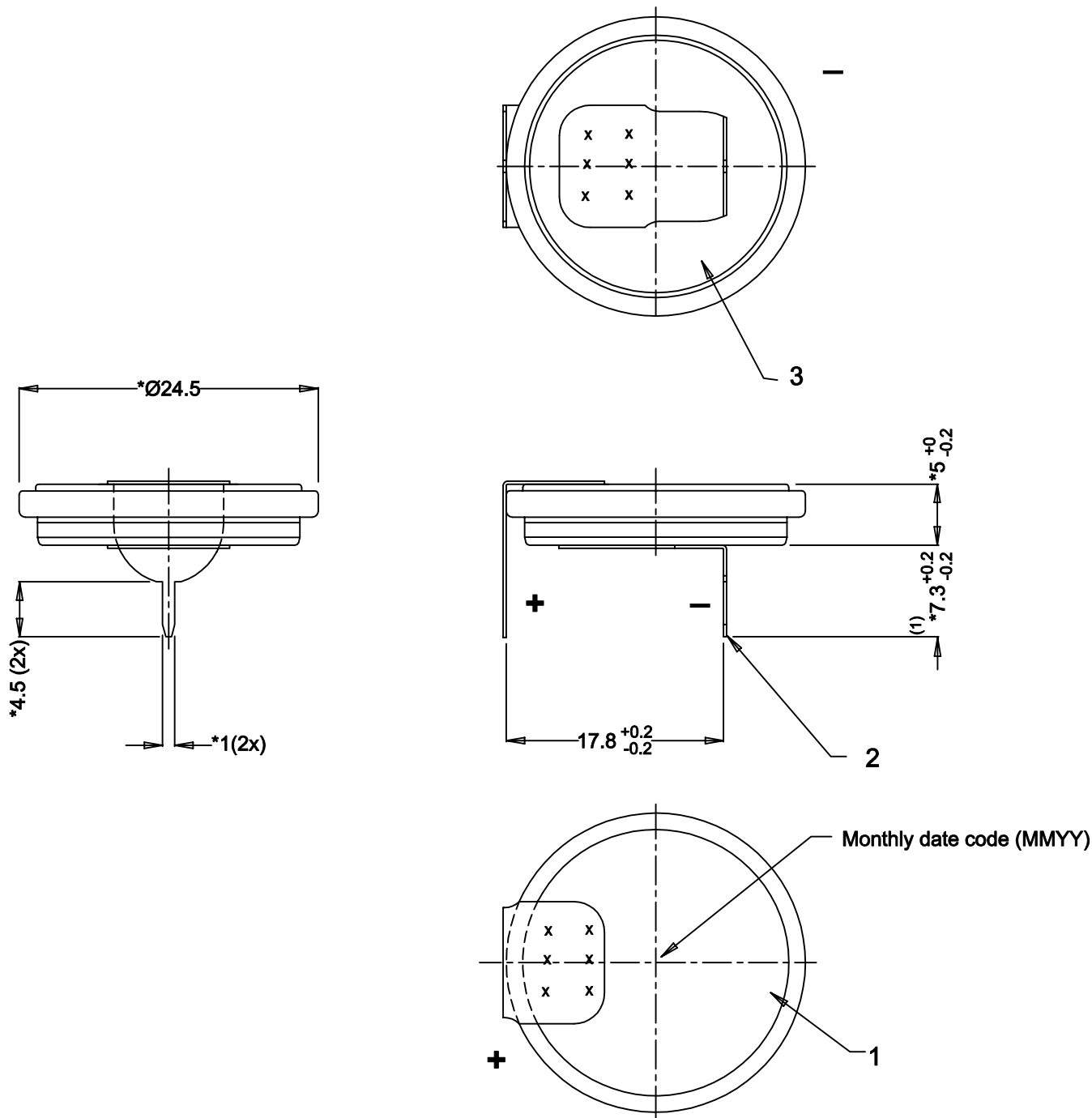


**This is a controlled document.**  
 Hardcopy to be endorsed by authorized person.  
 Check with Issuing Office or SAP system for latest update.



Note : \* Dimensions for reference only.

No.	Alterations:	Date:	Name:	Dimensions in mm	Material:
0	Refer to Crewkerne # 651842	2000-09-21	TitisWS	Tolerance: As specified	Refer to part list no: 651842
1	AO T120/00; To change the spec fm 7.3±0.2 to *7.3±0.2	2000-10-10	TitisWS	Projection:	Description:  <b>CR 2450</b> with solder tags Lithium battery
2	AO T18/01; To add the date code area for Lithium coin	2001-03-08	Yeni	Scale: 2 : 1	
				Date: 2000-09-21 Name: TitisWS	
				Prepared:	
				Approved: 2001-	
RIGHTS RESERVED TO MAKE TECHNICAL CHANGES, AS A RESULT OF FURTHER DEVELOPMENT, WITHOUT NOTICE. THIS DRAWING IS THE PROPERTY OF VARTA BATTERIES PTE LTD AND MUST NOT BE COPIED OR DISCLOSED TO A THIRD PARTY WITHOUT THE WRITTEN CONSENT OF VARTA BATTERIES PTE LTD.					
Distribution: 0, 1.1, 2.1, 2.2, 2.3, 3.3.					

4 0 2