

# DTS26F17-35AN [V001] ✓ ACTIVE

DEUTSCH | DEUTSCH 38999, DEUTSCH 38999 Series III

TE Internal #: YDTS26F17-35ANV001

Standard Circular Connectors, Cable-to-Panel, 55 Position,  
Sealable, Wire & Cable, Signal, Electroless Nickel, Aluminum, N  
Polarization Code

[View on TE.com >](#)



Connectors > Circular Connectors > Standard Circular Connectors > Straight Plug: D38999, 17-35 Insert, Electroless Nickel Plating



Connector System: **Cable-to-Panel**

Number of Positions: **55**

Sealable: **Yes**

Connector & Contact Terminates To: **Wire & Cable**

Contact Current Rating (Max): **5 A**

[All Straight Plug: D38999, 17-35 Insert, Electroless Nickel Plating \(76\)](#)

## Features

### Product Type Features

|                                   |                |
|-----------------------------------|----------------|
| Product Type                      | Connector      |
| Connector System                  | Cable-to-Panel |
| Sealable                          | Yes            |
| Connector & Contact Terminates To | Wire & Cable   |
| Circular Connector Type           | Plug           |
| Shell Type                        | Straight Plug  |

### Configuration Features

|                            |    |
|----------------------------|----|
| Number of Positions        | 55 |
| Number of Power Positions  | 0  |
| Number of Signal Positions | 55 |
| Contacts Preloaded         | No |

### Body Features

|   |                          |
|---|--------------------------|
| Shell Plating Material                      | Electroless Nickel       |
| Shell Base Material                         | Aluminum                 |
| Circular Connector Insulation Material Type | Hard Dielectric/Silicone |
| Hermetically Sealed                         | No                       |



### Contact Features

|                                 |          |
|---------------------------------|----------|
| Contact Current Rating (Max)    | 5 A      |
| Reverse Gender                  | No       |
| Contact Layout Arrangement      | 17 – 35  |
| Circular Connector Contact Type | Less Pin |

### Mechanical Attachment

|                       |       |
|-----------------------|-------|
| Polarization Code     | N     |
| Mating Alignment Type | Keyed |

### Housing Features

|                               |          |
|-------------------------------|----------|
| Circular Connector Shell Size | 17       |
| Alignment Keyed               | Clocking |

### Dimensions

|           |             |
|-----------|-------------|
| Wire Size | 22 – 28 AWG |
|-----------|-------------|

### Usage Conditions

|                             |                            |
|-----------------------------|----------------------------|
| Operating Temperature Range | -65 – 175 °C[-85 – 347 °F] |
|-----------------------------|----------------------------|

### Operation/Application

|                     |        |
|---------------------|--------|
| Circuit Application | Signal |
|---------------------|--------|

## Product Compliance

[For compliance documentation, visit the product page on TE.com>](#)

|   |  |
|---|--|
| EU RoHS Directive 2011/65/EU                  | Compliant  |
| EU ELV Directive 2000/53/EC                   | Compliant  |
| China RoHS 2 Directive MIIT Order No 32, 2016 | No Restricted Materials Above Threshold  |
| EU REACH Regulation (EC) No. 1907/2006        | Current ECHA Candidate List: JUNE 2022 (224)<br>Candidate List Declared Against: JAN 2022 (223)<br>SVHC > Threshold:<br>Decamethylcyclopentasiloxane (D5) (5% in Insert subassembly)<br><b>Article Safe Usage Statements:</b><br>Wash thoroughly after handling. Recycle if possible and dispose of the article by following all applicable governmental regulations relevant to your geographic location. |
| Halogen Content                               | Not Yet Reviewed for halogen content   |
| Solder Process Capability                     | Not reviewed for solder process capability   |



Product Compliance Disclaimer

This information is provided based on reasonable inquiry of our suppliers and represents our current actual knowledge based on the information they provided. This information is subject to change. The part numbers that TE has identified as EU RoHS compliant have a maximum concentration of 0.1% by weight in homogenous materials for lead, hexavalent chromium, mercury, PBB, PBDE, DBP, BBP, DEHP, DIBP, and 0.01% for cadmium, or qualify for an exemption to these limits as defined in the Annexes of Directive 2011/65/EU (RoHS2). Finished electrical and electronic equipment products will be CE marked as required by Directive 2011/65/EU. Components may not be CE marked. Additionally, the part numbers that TE has identified as EU ELV compliant have a maximum concentration of 0.1% by weight in homogenous materials for lead, hexavalent chromium, and mercury, and 0.01% for cadmium, or qualify for an exemption to these limits as defined in the Annexes of Directive 2000/53/EC (ELV). Regarding the REACH Regulation, the information TE provides on SVHC in articles for this part number is based on the latest European Chemicals Agency (ECHA) 'Guidance on requirements for substances in articles' posted at this URL: <https://echa.europa.eu/guidance-documents/guidance-on-reach>

### Compatible Parts



TE Part # CAT-D38999-DTS1U  
D38999: Square Flange, 17-35 insert



TE Part # YDTS24F17-35BNV001  
RECP ASSY

### Also in the Series | DEUTSCH 38999



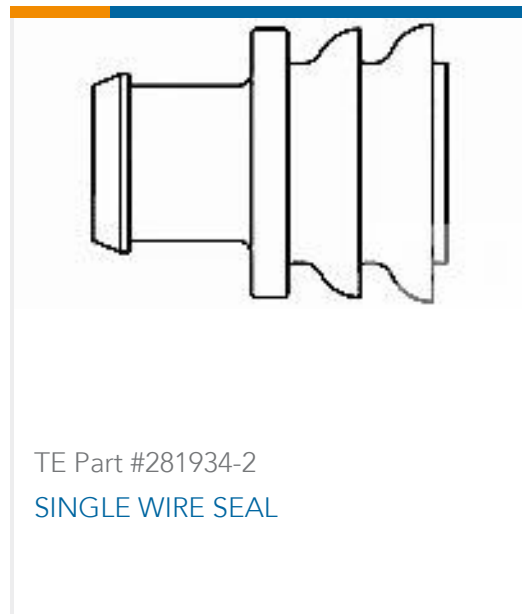
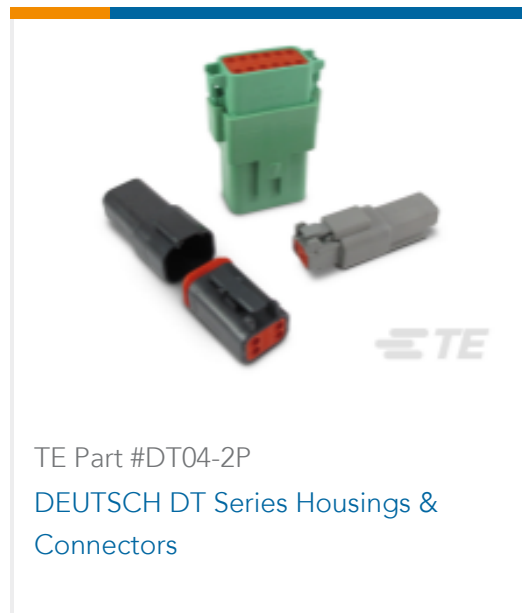
Standard Circular Connectors(12501)

### Also in the Series | DEUTSCH 38999 Series III



Standard Circular Connectors(37354)

### Customers Also Bought



## Documents

### Product Drawings

PLUG ASSY

English

### Datasheets & Catalog Pages

DEUTSCH MIL-DTL-38999 CIRCULAR CONNECTORS

English