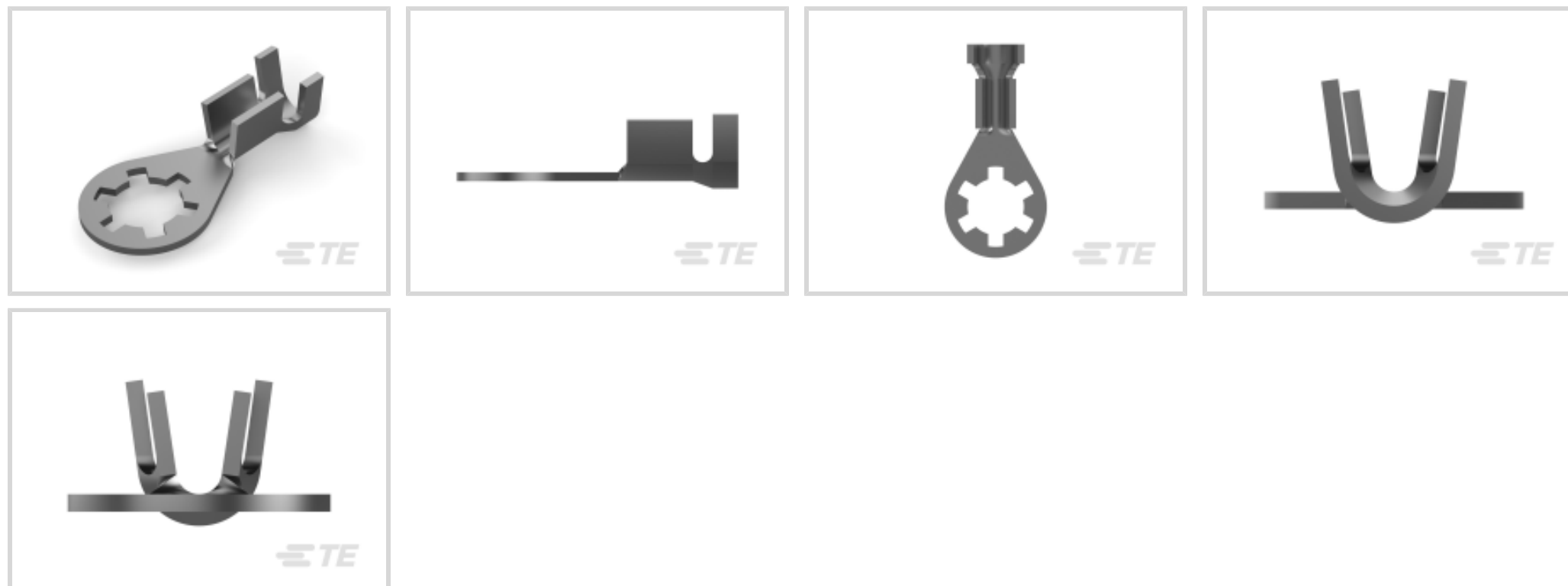




Terminals & Splices > Ring Terminals & Spade Terminals



Terminal & Splice Type: **Ring Tongue**

Wire Size: **1624 – 4106 CMA**

Ring & Spade Stud Size: **#10**

Features

Product Type Features

Terminal Features	Sheared
Shape Description	Anti-Rotational/Grounding
Ring & Spade Stud Size	#10
Ring & Spade Barrel Type	Open Barrel
Sealable	No
Insulated	No
Ring & Spade Wire/Cable Type	Regular Wire
Support Style	Insulation Support

Configuration Features

Number of Holes	1
Terminal Angle	Straight

Body Features

Inspection Slot	No
Weight per Piece	.572 g
Ring & Spade Plating Material	Tin

Contact Features

--	--



Contact Base Material	Steel
Terminal & Splice Type	Ring Tongue
Ring & Spade Terminal Orientation	Straight
Underplating Material	Nickel

Mechanical Attachment

Wire Insulation Support	With
-------------------------	------

Dimensions

	.105 in
Wire Size	1624 – 4106 CMA
Stud Diameter	5.18 mm[.204 in]
Tongue Thickness	.76 mm[.03 in]
Ring & Spade Overall Length	18.29 mm[.72 in]
Barrel Inside Diameter	1.62 mm, 3.17 mm[.064 in][.125 in]
Ring & Spade Wire Insulation Diameter (Max)	3.68 mm[.145 in]
Ring & Spade Wire Insulation Diameter	2.67 – 3.68 mm[.105 – .145 in]

Usage Conditions

Insulation Requirement	Uninsulated
Operating Temperature Range	-40 – 110 °C[-40 – 230 °F]

Operation/Application

Heavy Duty	No
------------	----

Industry Standards

Government Qualified	No
----------------------	----

Packaging Features

Packaging Quantity	10000
Ring & Spade Packaging Method	Strip/Reel

Product Compliance

[For compliance documentation, visit the product page on TE.com>](#)

EU RoHS Directive 2011/65/EU	Compliant
EU ELV Directive 2000/53/EC	Compliant
China RoHS 2 Directive MIIT Order No 32, 2016	No Restricted Materials Above Threshold
EU REACH Regulation (EC) No. 1907/2006	



Current ECHA Candidate List: JAN 2021
(211)
Candidate List Declared Against: JAN 2021
(211)
Does not contain REACH SVHC

Halogen Content
Low Halogen - Br, Cl, F, I < 900 ppm per homogenous material. Also BFR/CFR/PVC Free

Solder Process Capability
Not applicable for solder process capability

Product Compliance Disclaimer

This information is provided based on reasonable inquiry of our suppliers and represents our current actual knowledge based on the information they provided. This information is subject to change. The part numbers that TE has identified as EU RoHS compliant have a maximum concentration of 0.1% by weight in homogenous materials for lead, hexavalent chromium, mercury, PBB, PBDE, DBP, BBP, DEHP, DIBP, and 0.01% for cadmium, or qualify for an exemption to these limits as defined in the Annexes of Directive 2011/65/EU (RoHS2). Finished electrical and electronic equipment products will be CE marked as required by Directive 2011/65/EU. Components may not be CE marked. Additionally, the part numbers that TE has identified as EU ELV compliant have a maximum concentration of 0.1% by weight in homogenous materials for lead, hexavalent chromium, and mercury, and 0.01% for cadmium, or qualify for an exemption to these limits as defined in the Annexes of Directive 2000/53/EC (ELV). Regarding the REACH Regulation, the information TE provides on SVHC in articles for this part number is based on the latest European Chemicals Agency (ECHA) 'Guidance on requirements for substances in articles' posted at this URL: <https://echa.europa.eu/guidance-documents/guidance-on-reach>

Compatible Parts



TE Part # 350509-1
RING 22-16 AWG BR



TE Part # 350080-1
RING TERMINAL 18-14 0.245 X 1.110 TPSTL



TE Part # 2150008-1
OCEAN_2.0_Applicator-E-130F180F



TE Part # 42191-1
FLAG TERMINAL TERMINAL 18-12 AWG TPBR



TE Part # 61359-1
RING GR ANTI ROTATIONAL 18-14 AWG PTPST



KIT
TE Part # 7-2150008-7
OCEAN_2.0_SPARE_PART_KIT-130F180F
REPRESENTATION ONLY



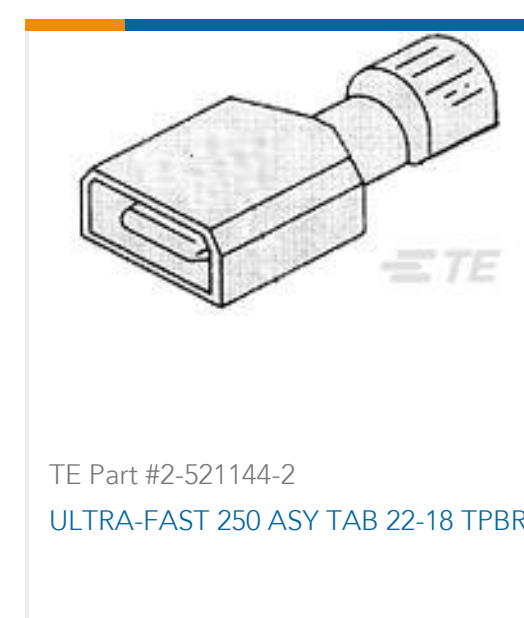
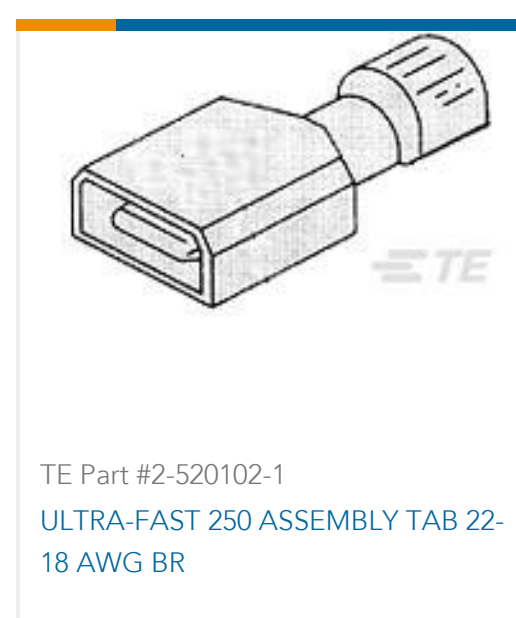
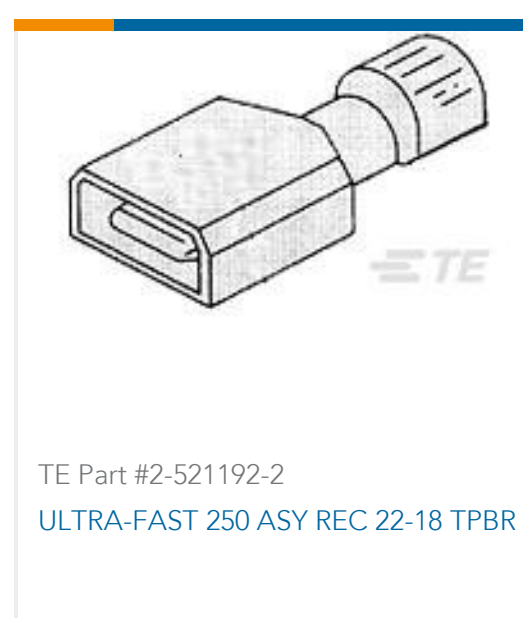
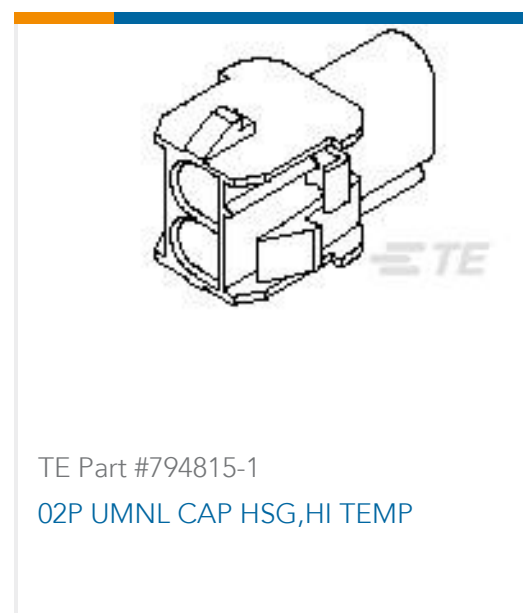
TE Part # 2-2150008-1
OCEAN_2.0_Applicator-E-130F180F



TE Part # 2-2150008-2
OCEAN_2.0_Applicator-E-130F180F



Customers Also Bought



Documents

Product Drawings

RING TERMINAL 18-14 AWG TPST

English

CAD Files

3D PDF

3D

Customer View Model

ENG_CVM_CVM_350436-2_AA.2d_dxf.zip



English

Customer View Model

[ENG_CVM_CVM_350436-2_AA.3d_igs.zip](#)

English

Customer View Model

[ENG_CVM_CVM_350436-2_AA.3d_stp.zip](#)

English

By downloading the CAD file I accept and agree to the [Terms and Conditions](#) of use.

Product Specifications

[Application Specification](#)

English

Product Environmental Compliance

[TE Material Declaration](#)

English

Agency Approvals

[UL Report](#)

English