

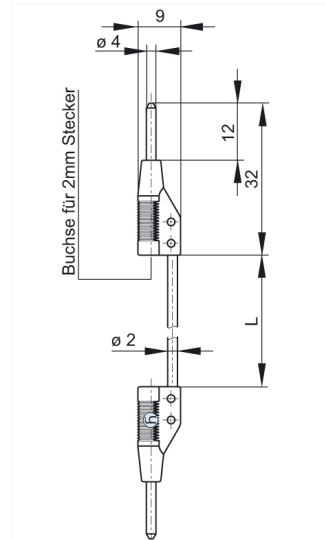
MVL 2/25 rot/red

Industrial Connectors:Measuring and Testing Equipment:Measuring leads:2 mm system

Product description

Description	Injection-moulded measuring lead, at either end 2 mm diameter nickel-plated brass connector and 2 mm diameter socket with contact spring, for tower constructions. Highly flexible stranded lead 0.5 mm ² , grip and lead shatter-proof.
Type	MVL 2/25 rot/red
Order No.	973 594-101
System	2 mm system
Cable length	25 cm
Conductor size	0,5 mm ²
Cable material	PVC
Cable color	red
Housing Color	red
Other standard types	black color, order no. 973 596-100

Drawing



Technical data

Pin dimensions	2 mm
Type of contact	socket (spring-loaded), pin
Type of termination	2 mm diameter pin
Cable specification	highly flexible lead
Rated voltage	DC 60 V
Rated current	6 A
Contact resistance	17 mOhm

Material

Contact material	brass
Contact surface material	nickel-plated
Housing material	PP

Environmental conditions

Temperature range

-40 °C to +60 °C