

Installation / Montage Blitzductor BXT BAS EX BXT ML2 BD S EX 24

Segurança



Certificado N.º: TUV 17.0697X
Ex ia I/a Ga I IIC T6...T4 Gb
Ex ib IIC T6...T4 Gb

Para conexão para circuitos intrinsecamente:
U_i = 30 V
I_i = 500 mA
P_i = indeterminada
C_i = desprezível
L_i = desprezível

Ou para conexão para circuitos FISCO

U_i = 17,5 V
I_i = 380 mA
P_i = 5,32 W
C_i = desprezível
L_i = desprezível

Faixa de temperatura ambiente:

-40 °C ≤ T_a ≤ +55 °C – para T6
-40 °C ≤ T_a ≤ +75 °C – para T5
-40 °C ≤ T_a ≤ +80 °C – para T4

Normas Técnicas / Regulamento:

ABNT NBR IEC 60079-0:2013
ABNT NBR IEC 60079-11:2013
ABNT NBR IEC 60079-26:2016
Portaria INMETRO n.º 179 de 18/05/2010

IECE DEK 11.0078X

Ex ia I/a Ga I IIC T6...T4 Gb
Ex ib IIC T6...T4 Gb

KEMA 05 ATEX 0274 X
II 2 (1) G Ex ia I/a Ga I IIC T6...T4 Gb
II 2 G Ex ib IIC T6...T4 T4/T5/T6 Gb
FISCO

Standards:

for ATEX: EN 60079-0
EN 60079-11

for IECEx: IEC 60079-0
IEC 60079-11
IEC 60079-26

Connection with intrinsically safe circuits with:

U_i = 30 V

I_i = 500 mA

P_i = any

C_i negligibly small

L_i negligibly small

Special conditions for safe use
The dielectric strength of at least 500 V of the intrinsically safe circuits of the Blitzductor series BXT is limited only by the overvoltage protection. For Blitzductor BXT series type BXT ML2 BD S EX 24, the terminals X3, X4, X3' and X4' are considered to be connected to earth.

Ambient temperature range:

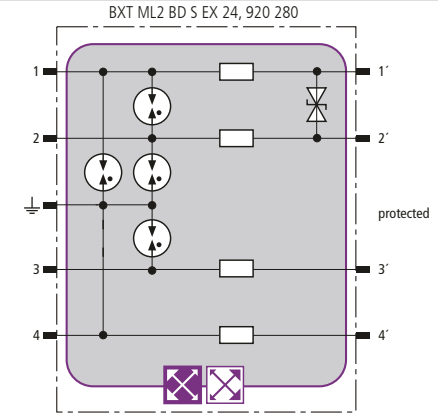
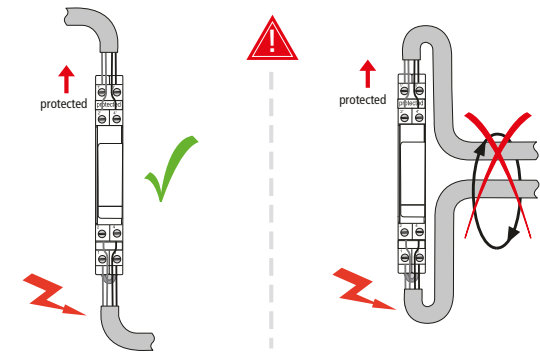
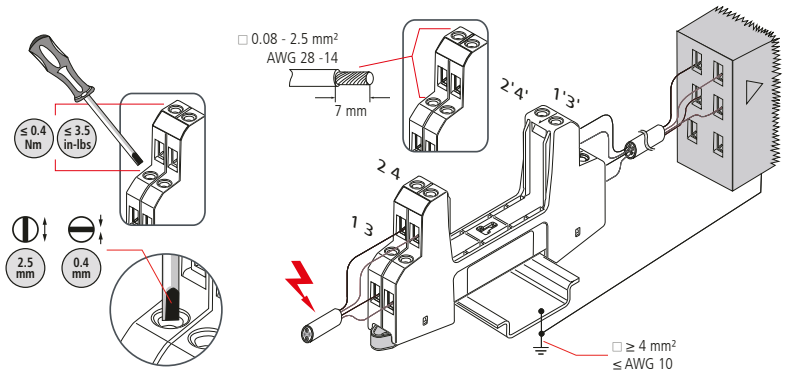
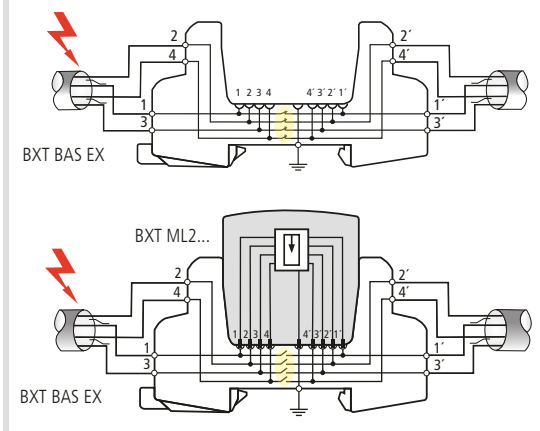
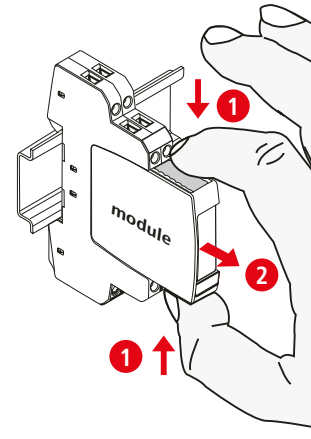
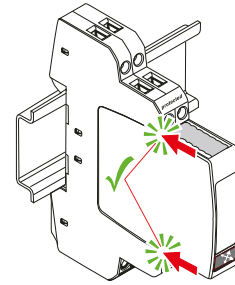
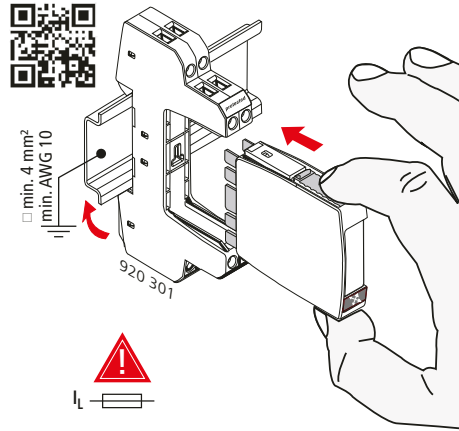
-40°C...+55°C for temperature class T6

-40°C...+75°C for temperature class T5

-40°C...+80°C for temperature class T4



□ min. 4 mm²
| min. AWG 10



Application / Anwendung

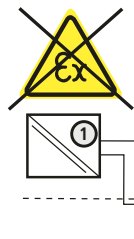
Fieldbus FISCO

Power supply

U₀ ≤ 17.5 V,
I₀ ≤ 380 mA

Field device

U_i ≤ 17.5 V, I_i ≤ 380 mA,
P_i ≤ 5.32 W, C_i negligibly small,
L_i negligibly small

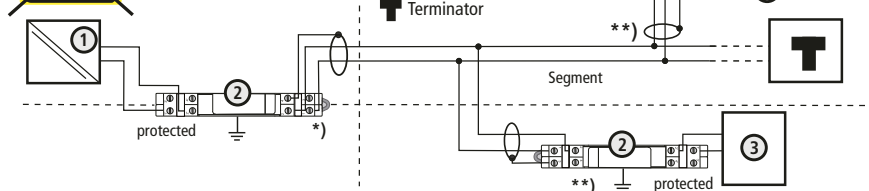


① Power supply (Fisco); Segment

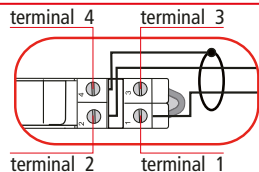
② Blitzductor BXT ML2 BD EX 24

③ Field device (Fisco)

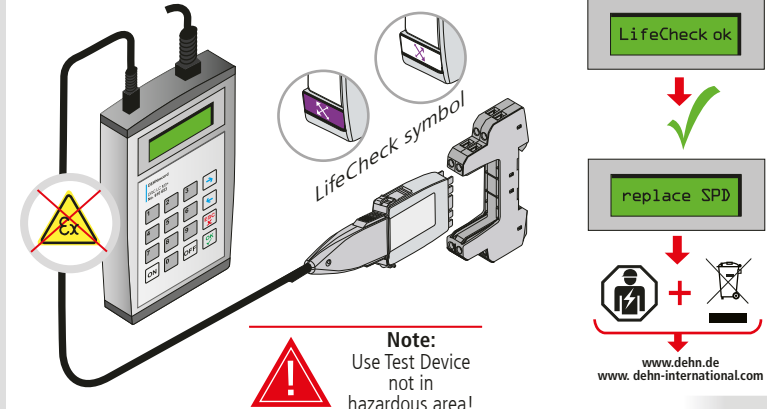
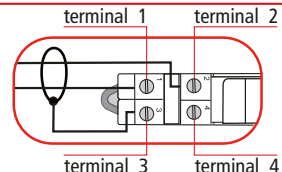
T Terminator



*) direct shield earthing
Direkte Schirmerdung
BXT ML2 BD S EX 24



**) indirect shield earthing
(only in case of BXT ML2 BD S EX 24)
Indirekte Erdung des Schirmliters
(nur bei BXT ML2 BD S EX 24 möglich)



Control Drawing

Blitzductor Surge Protectors

BXT ML2 BD S EX 24
 Certificate CSA 12.70000011
 Ambient temperature range:
 - 40° C to + 55° C for T6
 - 40° C to + 75° C for T5
 - 40° C to + 80° C for T4
 Installation should be in accordance with Canadian Electrical Code CSA C22.2 part 1.

For use in type of protection IS, Class I Div. 1, GP A, B, C, D T4...T6, Class I, Zone 1, AEx ia[ia] IIC T4...T6 or Ex ia[ia] IIC T4...T6:
 Module input circuits (terminals X1, X2, X3 and X4) for connection to a certified intrinsically safe circuit, with the following maximum values:

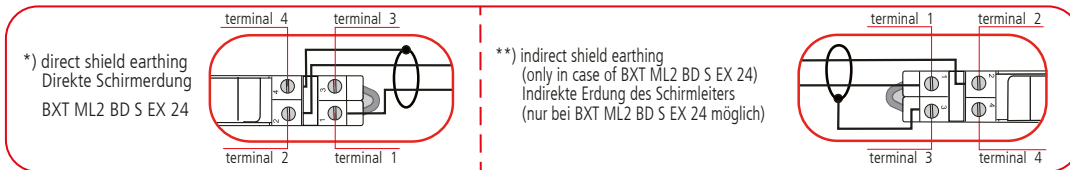
$U_i = 30\text{ V}$; $I_i = 500\text{ mA}$; $P_i = \text{any}$; $C_i = 0\text{ nF}$; $L_i = 0\text{ mH}$

or for connection to a certified intrinsically safe circuit or a circuit in accordance with FISCO, with the following maximum values:
 $U_i = 17.5\text{ V}$; $I_i = 380\text{ mA}$; $P_i = 5.32\text{ W}$; $C_i = 0\text{ nF}$; $L_i = 0\text{ }\mu\text{H}$

The module outputs (terminals 1', 2') can be connected to zone 0.

WARNING:
 Substitution of components may impair intrinsic safety!

AVERTISSEMENT:
 La substitution de composants peut compromettre la sécurité intrinsèque!

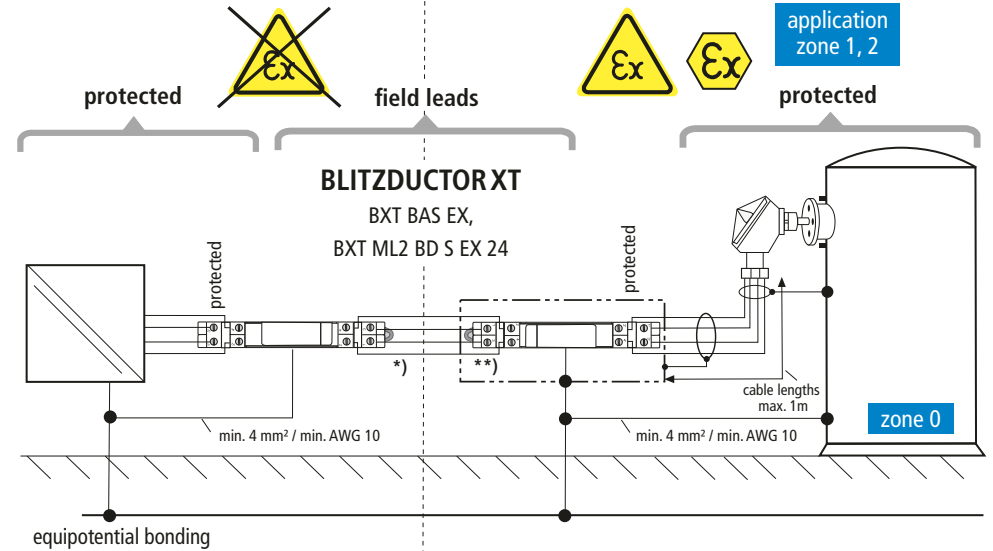


Intrinsic Safety

Non hazardous area

Hazardous area

Class I Div. 1, GP A, B, C, D T4...T6
 Class I, Zone 1, AEx / Ex ia[ia] IIC T4...T6



EC/EU Declaration of Conformity

CE EC/EU Declaration of Conformity EG/EU Konformitätserklärung

Document: CE-BXT ML2 BD S EX 24

Manufacturer: DEHN SE + Co KG
 Hans-Dehn-Strasse 1
 92318 Neumarkt, Germany

Product Type	Article No.	Standard Norm	EC/EU-Type Examination Certificate	Date
BXT ML2 BD S EX 24	920280	EN 60079-0:2012 + A11	KEMA 06ATEX0274 X Issue No. 4	12.08.2015
BXT BAS EX	920301	EN 60079-11:2012 + A11	KEMA 06ATEX0274 X Issue No. 4	12.08.2015

2014/34/EU ATEX Directive of 26 February 2014
 2014/54/EU ATEX-Richtlinie vom 26. Februar 2014

CE EC/EU Declaration of Conformity EG/EU Konformitätserklärung

conform(s) with the European Directive(s):
 der/den Europäischen Richtlinie(n) entspricht/entsprechen:

2014/35/EU Low-Voltage Directive of 26 February 2014
 2014/35/EU Niederspannungsrichtlinie vom 26. Februar 2014

2011/65/EU RoHS Directive of 08 June 2011
 2011/65/EU RoHS-Richtlinie vom 08. Juni 2011

2014/54/EU ATEX Directive of 26 February 2014
 2014/54/EU ATEX-Richtlinie vom 26. Februar 2014

2011/65/EU RoHS Directive of 08 June 2011
 2011/65/EU RoHS-Richtlinie vom 08. Juni 2011

Issuer: DEHN SE + Co KG
 Aussteller: Hans-Dehn-Strasse 1, 92318 Neumarkt, Germany
 Place, date: Neumarkt, 17.10.2019

Legally binding signature:
 Rechtskräftige Unterschrift: Dr. Thomas J. Schoepf, Chief Technology Officer; ppa. Dr. Ralph Broeke, Director R&D

Application / Anwendung

Accessories / Zubehör
 SAK BXT LR

Shield $\varnothing 3 - 10$

40, 12, 26, 7

*) indirect shield earthing / Indirekte Schirmerdung

*) direct shield earthing / Direkte Schirmerdung

Secure, mesh wire shield retained in terminal.
 Sicherstellen, Abschirmgeflecht in Klemme gehalten.

