

BNC keystone coupler ultra HD 75 ohm 12Ghz



BNC keystone coupler ultra HD 75 ohm 12Ghz (KBNC1275bk/wh)

Class leading electrical performance (up to and beyond 12Ghz) is achieved by virtue of high quality components and first class design in this professional, broadcast standard (including Ultra High Definition 4K) 75Ω back to back connector. BNC connectors are the most reliable and universally accepted method of terminating coaxial cable but have now been brought firmly into the digital age with this UHD offering. Designed to snap into any standard sized keystone opening this coupler can be used in a huge variety of outlets, panels and housings.

Features

- Connector core designed and manufactured by leading BNC specialists **COAX**
- Gold plated core for improved performance with superior signal quality with minimal noise
- Female to female true 75Ω connector, conforms to SMPTE424M, ST2081-1 and ST2082-1
- Used in high performance A/V applications for coaxial cable in radio and other radio frequency electronic equipment, test instruments and Ultra HD and HD digital video signals
- Snap in keystone jack provides a clean and neat, fast and easy installation in a wide range of panels, housings and outlets
- Keystone housing ensures excellent insulation of connector body
- Backwards compatible – tested to perform at frequencies up to and beyond 12GHz and can also be used for 3Ghz and 6Ghz installations, so can be used as alternative to our code KBNC75
- Black and white versions available to match panel or faceplate colour
- Available as part of our innovative panel mount and D UNIVERSAL ranges

Specifications

- Colour: Black (KBNC1275bk) or white (KBNC1275wh)
- Dimensions: 32.5 x 22 x 16.8mm (L x H x W)
- Weight: 10g
- Materials:
 - Keystone housing: ABS UL94V-0
 - Adaptor body: tarnish resistant nickel-plated brass
 - Centre contact: Gold-plated beryllium copper
 - Insulator: PTFE

Electrical specification

- Impedance: 75Ω
- Frequency: 0-18 Ghz
- Insulation resistance: 5000 M-Ohm
- Dielectric Withstand Voltage: 1500 Veff

Mechanical specification

- Contact retention: 10N min
- Mating cycles: 500

Environmental specification

- Operating temperature: -35°C ~ 70°C

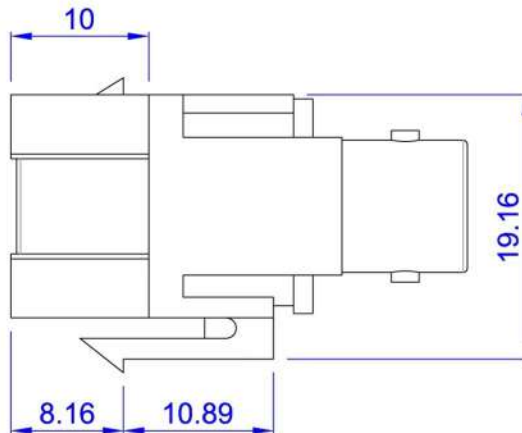
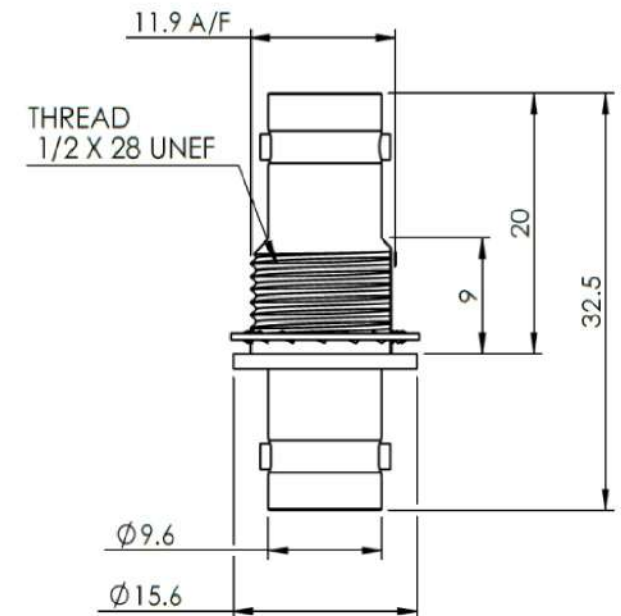
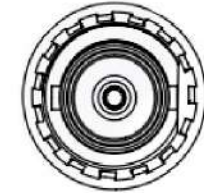
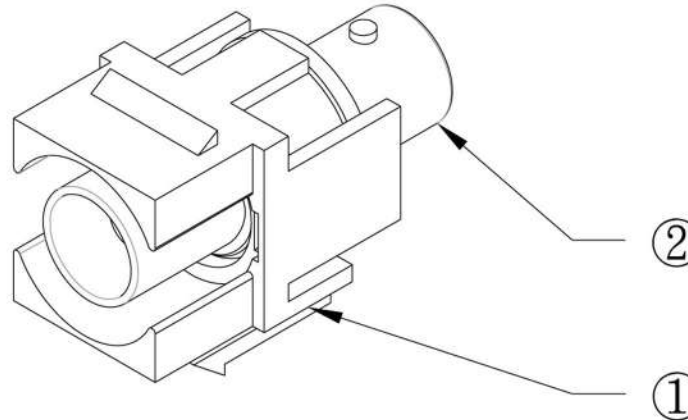
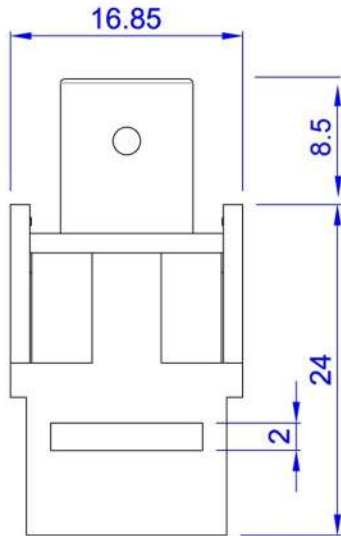
Packaging

- Supplied in individual polythene bags, then in bags of 20

Commodity Code: 85444920

EAN Number: KBNC1275bk - 5055386507525

KBNC1275wh - 5055386507532


Connector specifications:

1. Keystone adaptor material: ABS UL94V-0 available in black or white

2. BNC connector: body: tarnish resistant nickel-plated brass

Contact material: gold plated beryllium copper

Impedance: 75 ohm

Frequency: 0 - 18 GHz

Insulator: PTFE