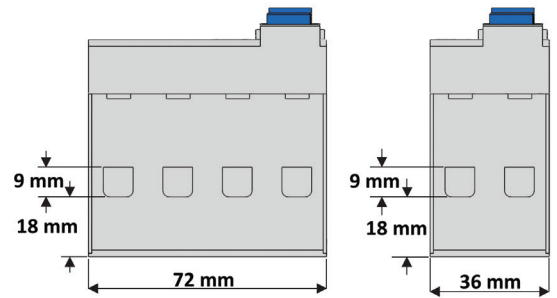


# Techna CIRCUIT PROTECTION

## Ctec Residual Current Circuit Breakers

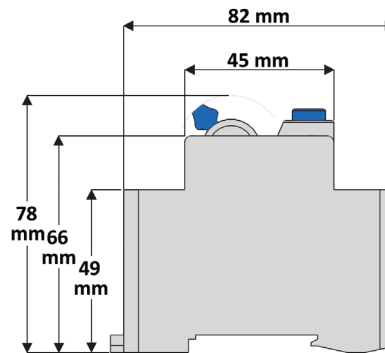
Up to 100A



The Ctec range provides stylish and cost effective residual current (earth leak) fault protection in both 2 and 4 poles.

**NOTE:** The Ctec RCCB device does not provide overload or short circuit protection and should be used in conjunction with a miniature circuit breaker (Gtec or Jtec).

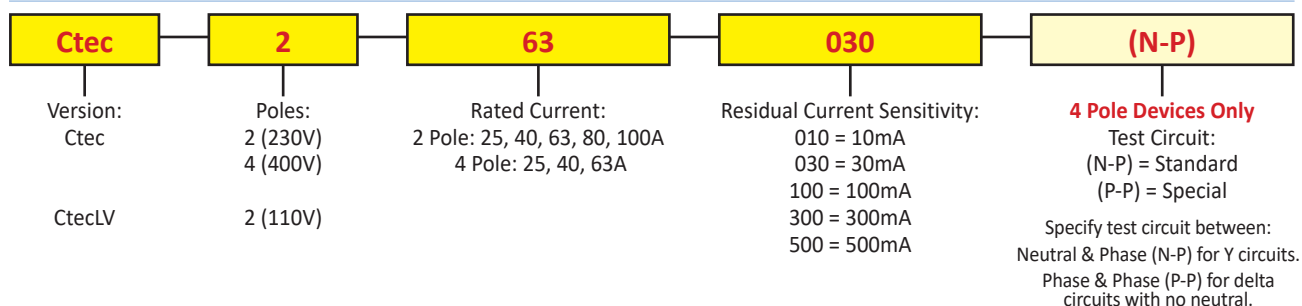
The Ctec range is also available in a LV version designed to be used on 110V systems. Inbuilt test button operates at rated voltage.



### Ctec Technical Specification

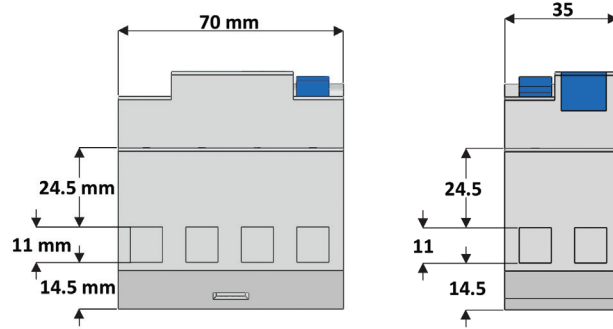
Number of Poles	2 or 4
Rated Voltage (Un)	2 Pole: 110 or 230 Vac 4 Pole: 400 Vac
Frequency	50 / 60Hz
Max. Operating Voltage	Vn + 10%
Residual Current Sensitivity	10, 30, 100, 300, 500mA
Current Rating	2 Pole: 25, 40, 63, 80, 100A 4 Pole: 25, 40, 63A
Ambient Temperature	-5°C to +40°C
Electrical Life	6000 Switching Operations
Mechanical Life	10000 Switching Operations

### Ctec Ordering Scheme



## Ctec Residual Current Circuit Breakers

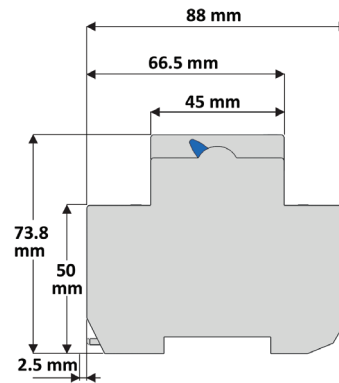
### 100A - 125A



The Ctec high current versions provide residual current protection for circuits with loads up to 125A.

**NOTE:** The Ctec RCCB device does not provide overload or short circuit protection and should be used in conjunction with a miniature circuit breaker (Gtec or Jtec).

The Ctec range is also available in a LV version designed to be used on 110V systems. Inbuilt test button operates at rated voltage.



### Ctec High Current Technical Specification

Number of Poles	2 or 4
Rated Voltage (Un)	2 Pole: 110 or 230 Vac 4 Pole: 400 Vac
Frequency	50 / 60Hz
Max. Operating Voltage	Vn + 10%
Residual Current Sensitivity	10, 30, 100, 300, 500mA
Current Rating	2 Pole: 125A 4 Pole: 100, 125A
Ambient Temperature	-5°C to +40°C
Electrical Life	6000 Switching Operations
Mechanical Life	10000 Switching Operations

### Ctec Ordering Scheme

