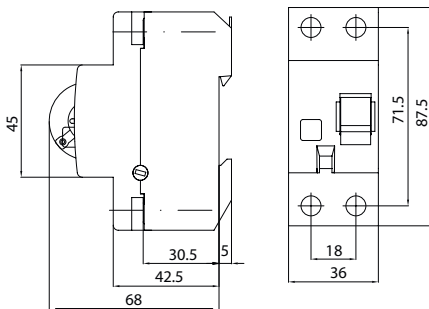


## RCCB 10kA 2 pole & 4 pole Type A

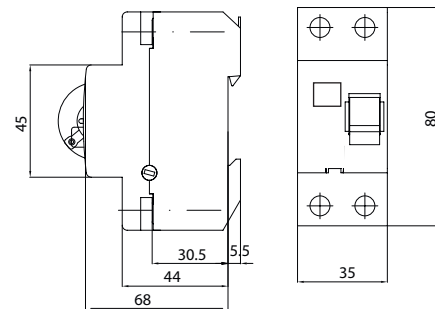
Residual current circuit breaker capable of protecting people and property against current leakage faults on conditional short circuit current of 10 kA.

Part numbers: GCD....

GCD 2P 16 - 80A



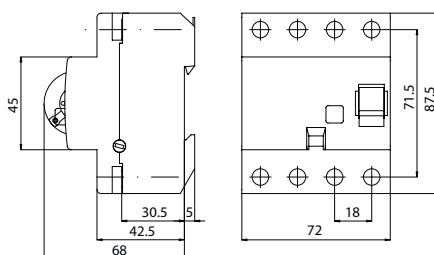
GCD 2P 100A



### Technical data

Rated voltage $U_n$	230/400V AC
Rated current $I_n$	16 - 100A
Rated short-circuit capacity	10 kA
Rated making and breaking capacity $I_m$	800A
Back-up fuse	100A gG
Type	A
Isolating class	B
Rated residual current $I_{\Delta n}$	30, 100, 300, 500 mA
Terminals	1-25mm <sup>2</sup> , (1-35mm <sup>2</sup> for 100A)
Standards	EN 61008, IEC 61008

GCD 4P 16 - 80A



GCD 4P 100A

