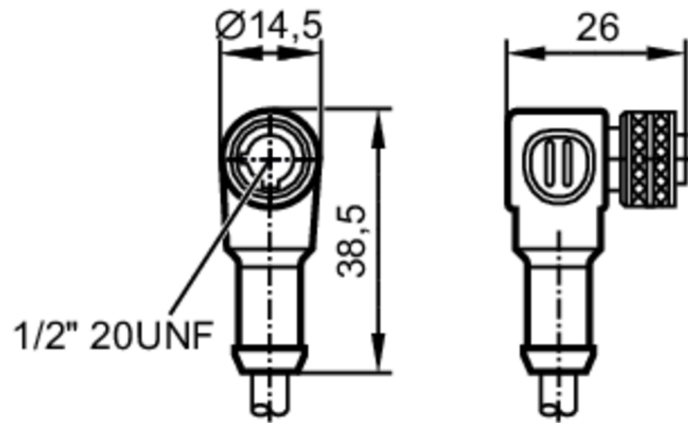


E10190



Connecting cable with socket

ADOAA030MSS0002E03



Application		
Special feature	Drag chain suitability	
Electrical data		
Operating voltage	[V]	< 250 AC/DC
Max. current load total	[A]	4; (40° C)
Operating conditions		
Ambient temperature	[°C]	-25...85
Protection	IP 67	
Tests / approvals		
UL approval	Ta	< 75 °C
	File number UL	E191684
Mechanical data		
Weight	[g]	89.3
Dimensions	[mm]	26 x 14.5 x 38.5
Materials	TPU black	
Material nut	brass, nickel-plated	
Drag chain suitability	yes	
Drag chain suitability	bending radius for flexible use	min. 10 x cable diameter
	travel speed	max. 3.3 m/s for a horizontal travel length of 5 m and max. acceleration of 5 m/s ²
	bending cycles	> 2 Mio.
	torsional strain	± 180 °/m
Remarks		
Pack quantity	1 pcs.	

E10190



Connecting cable with socket

AD0AA030MSS0002E03

Electrical connection

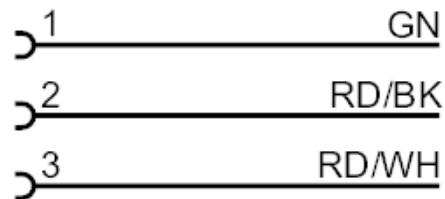
Cable: 2 m, PVC, yellow, Ø 5.2 mm; 3 x (42 x Ø 0.1 mm) / AWG 22

Electrical connection - socket

Connector: 1 x 1/2", angled; Moulded body: TPU; Locking: brass, nickel-plated



Connection



Core colours :

GN =

green

RD/BK =

red/black

RD/WH =

red/white