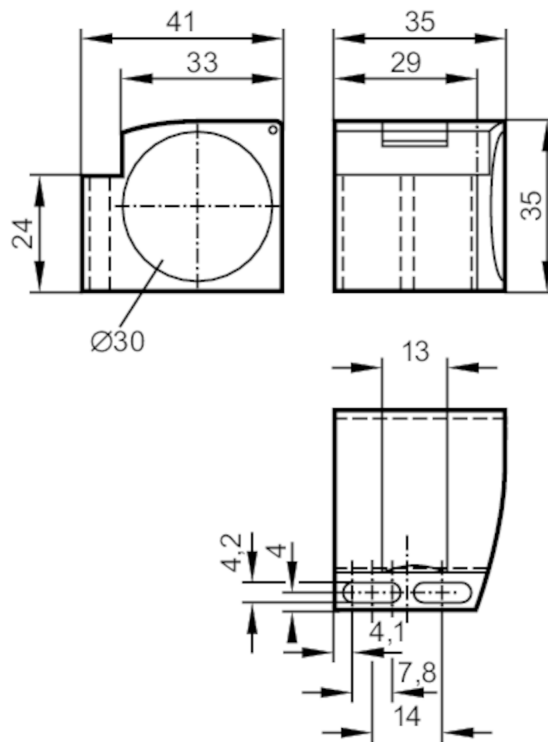


E11049



Mounting clamp for position sensors

MOUNTING CLAMP M30



Application

Design with end stop

Operating conditions

Ambient temperature [°C] -25...85

Mechanical data

Weight [g] 22.5
Inside diameter [mm] 30
Materials PC

Remarks

Pack quantity 1 pcs.