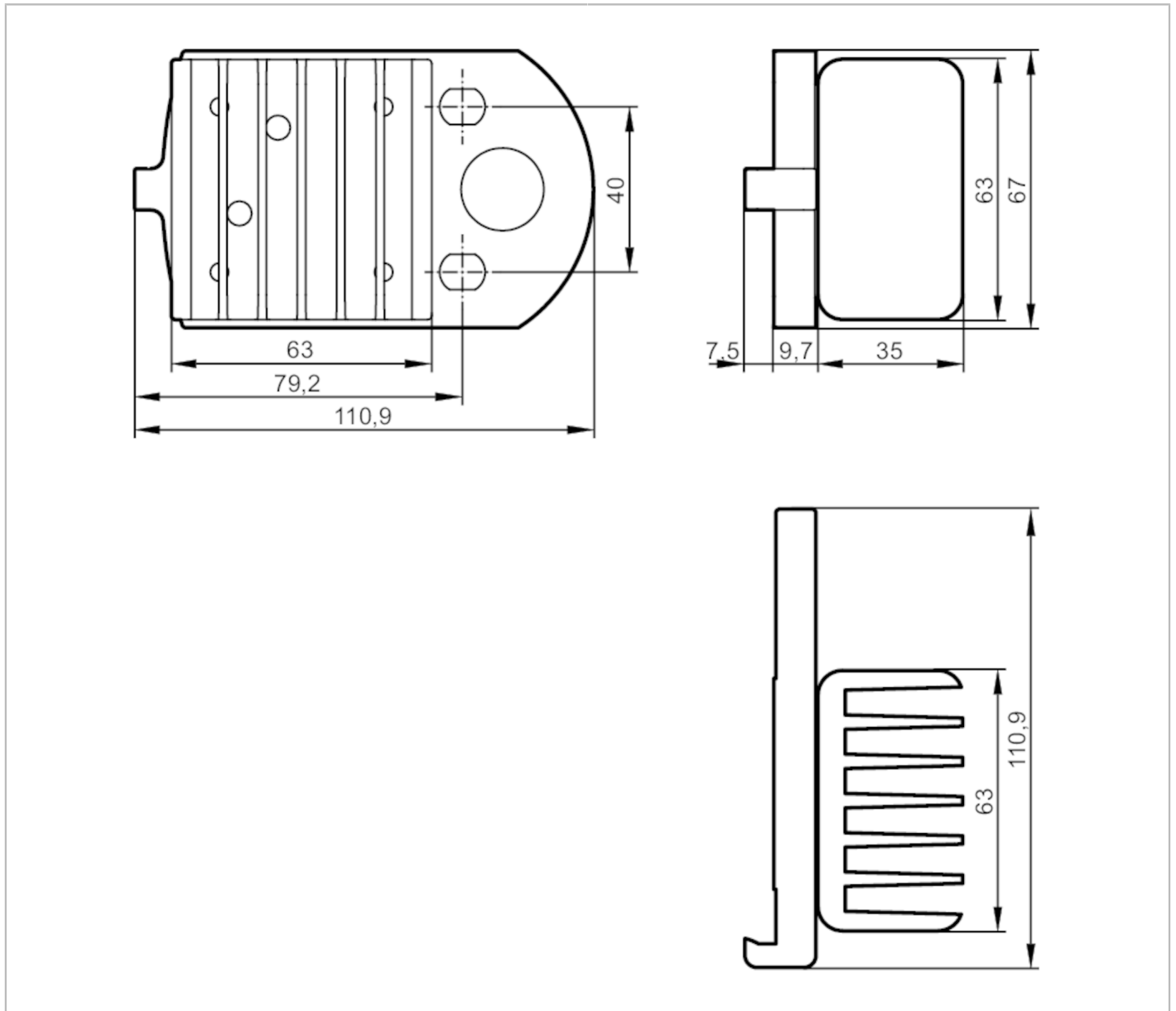


E3D304



Cooling element for 3D cameras

COOLING ELEMENT 2 SMART CAM



Application	
Design	double cooling element
Mechanical data	
Weight [g]	845
Type of mounting	panel / surface
Materials	dissipator: AlMgSi1MgMn; Heat conductor: AlMg3
Accessories	
Accessories (supplied)	cylinder screws: 2 x ISO 4762 M5 x 75
	Nuts: 2
	Clamp
	installation instructions
Remarks	
Pack quantity	1 pcs.