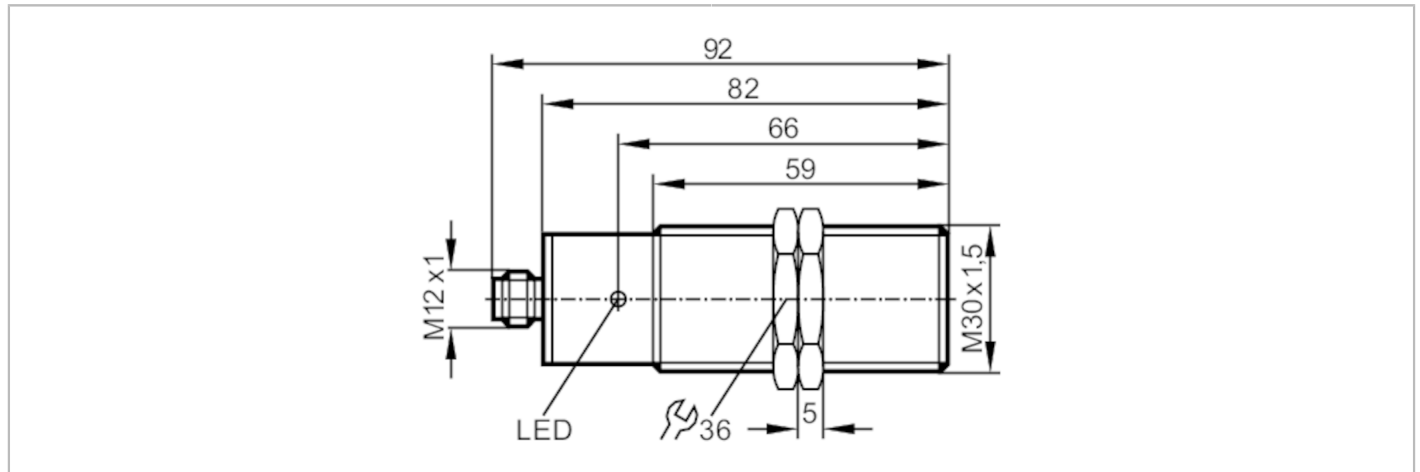


II5751



Inductive sensor

IIA2010-FRKG/V4A/US-100-IRF/AU



Product characteristics	
Electrical design	PNP/NPN
Output function	normally open / normally closed; (selectable)
Sensing range [mm]	10
Housing	threaded type
Dimensions [mm]	M30 x 1.5 / L = 92
Application	
Special feature	Gold-plated contacts
Electrical data	
Operating voltage [V]	10...55 DC
Protection class	II
Reverse polarity protection	yes
Outputs	
Electrical design	PNP/NPN
Output function	normally open / normally closed; (selectable)
Max. voltage drop switching output DC [V]	4.6
Minimum load current [mA]	4
Max. leakage current [mA]	0.8
Permanent current rating of switching output DC [mA]	400
Switching frequency DC [Hz]	450
Short-circuit protection	yes
Type of short-circuit protection	pulsed
Overload protection	yes
Detection zone	
Sensing range [mm]	10
Real sensing range Sr [mm]	10 ± 10 %
Operating distance [mm]	0...8.1

II5751



Inductive sensor

IIA2010-FRKG/V4A/US-100-IRF/AU

Accuracy / deviations

Correction factor	steel: 1 / stainless steel: 0.7 / brass: 0.5 / aluminium: 0.4 / copper: 0.3	
Hysteresis [% of Sr]	3...15	
Switch point drift [% of Sr]	-10...10	

Operating conditions

Ambient temperature [°C]	-25...80	
Protection	IP 67	

Tests / approvals

EMC	EN 60947-5-2	
	EN 55011	class B
MTTF [years]	1835	

Mechanical data

Weight [g]	160	
Housing	threaded type	
Mounting	flush mountable	
Dimensions [mm]	M30 x 1.5 / L = 92	
Thread designation	M30 x 1.5	
Materials	stainless steel (1.4571/316Ti); sensing face: PC	

Displays / operating elements

Display	switching status	1 x LED, yellow
---------	------------------	-----------------

Accessories

Accessories (supplied)	lock nuts: 2	
------------------------	--------------	--

Remarks

Pack quantity	1 pcs.	
---------------	--------	--

Electrical connection - plug

Connector: 1 x M12; Contacts: gold-plated



II5751



Inductive sensor

IIA2010-FRKG/V4A/US-100-IRF/AU

