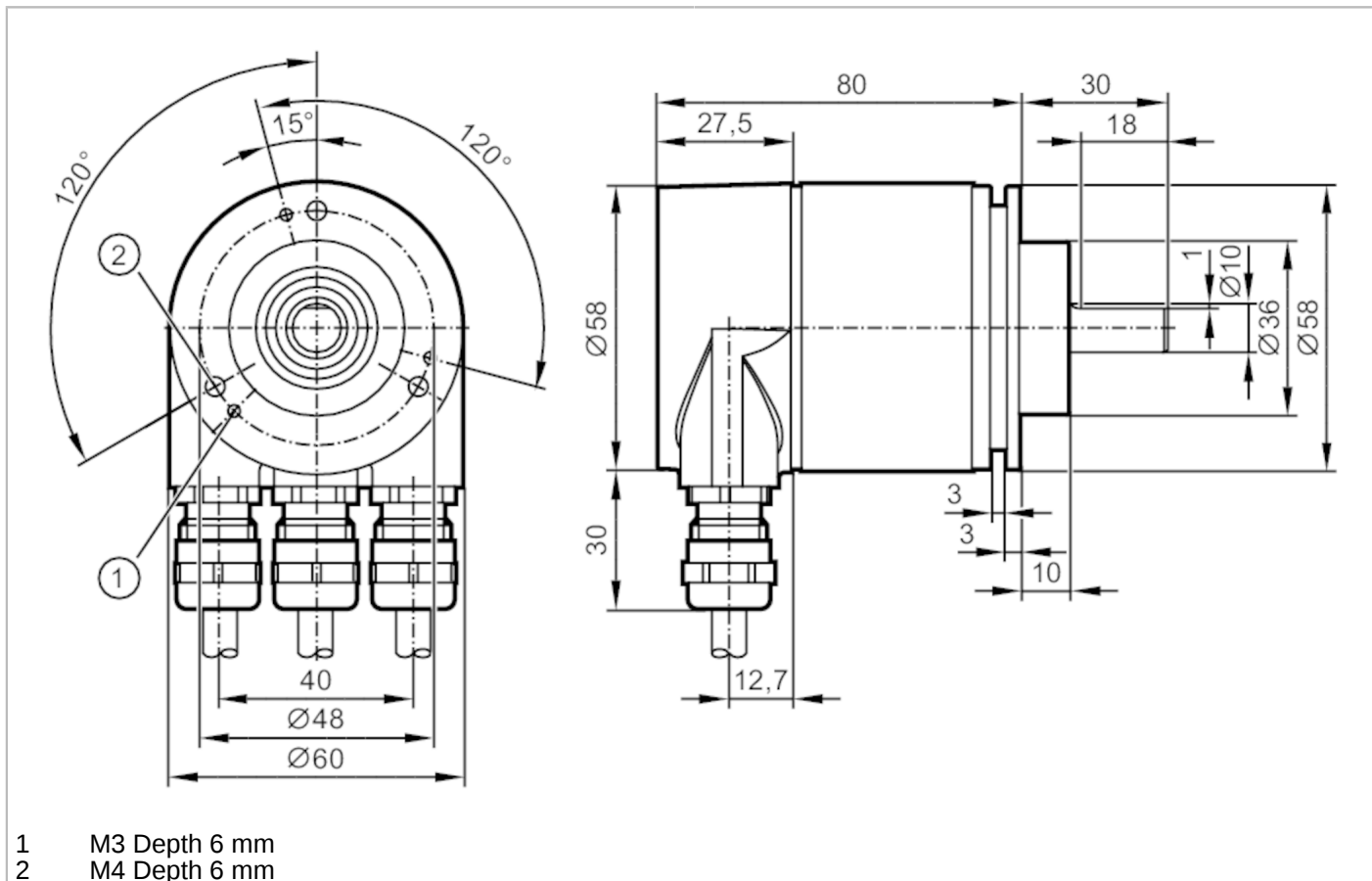


RM3007



Absolute multiturn encoder with solid shaft

RMK0025-E24/E



Product characteristics	
Resolution	8192 steps; 4096 revolutions; 25 bit
Communication interface	PROFIBUS DP
Shaft design	solid shaft
Shaft diameter [mm]	10
Application	
Function principle	absolute
Revolution type	multiturn
Electrical data	
Operating voltage [V]	10...30 DC
Current consumption [mA]	100; ((24 V))
Reverse polarity protection	yes
Outputs	
Code	binary
Measuring/setting range	
Resolution	8192 steps; 4096 revolutions; 25 bit



Absolute multiturn encoder with solid shaft

RMK0025-E24/E

Software / programming	
Parameter setting options	counting direction of the code values; Resolution; zero point; limit switches HI and LO; motion indicator; separation multiturn/singleturn
Diagnostic functions	alarms; warnings; status; serial number of the encoder
Addressing	address selector switch; 0...126
Interfaces	
Communication interface	PROFIBUS DP
PROFIBUS DP	
Transmission standard	DPV2
Operating conditions	
Ambient temperature [°C]	-40...85
Max. relative air humidity [%]	98
Protection	IP 67; (IP 67: on the housing; IP 67: on the shaft)
Tests / approvals	
Shock resistance	100 g (6 ms)
Vibration resistance	10 g (10...2000 Hz)
MTTF [years]	13.5
Mechanical data	
Weight [g]	596
Dimensions [mm]	Ø 58 / L = 110
Materials	aluminium
Max. revolution, mechanical [U/min]	12000
Shaft design	solid shaft
Shaft diameter [mm]	10
Shaft material	steel (1.4104)
Max. shaft load axial (at the shaft end) [N]	40
Max. shaft load radial (at the shaft end) [N]	110
Fixing flange	clamping flange
Electrical connection	
terminal strip in the terminal chamber:	