

## MVP12, 8XM12, 5POLE, PLUGGABLE CABLE

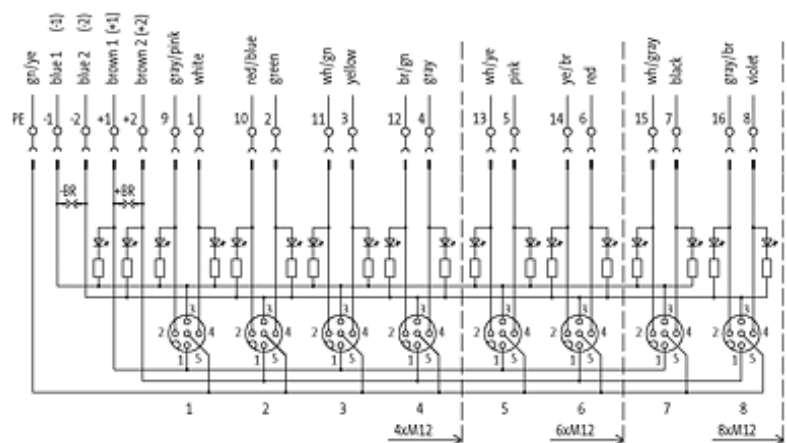
5.0m PUR/PVC 16x0,34+5x0,75

8-way, 5-pole  
 PUR/PVC  
 potentially separated  
 with LED for digital PNP-signals 24 V DC

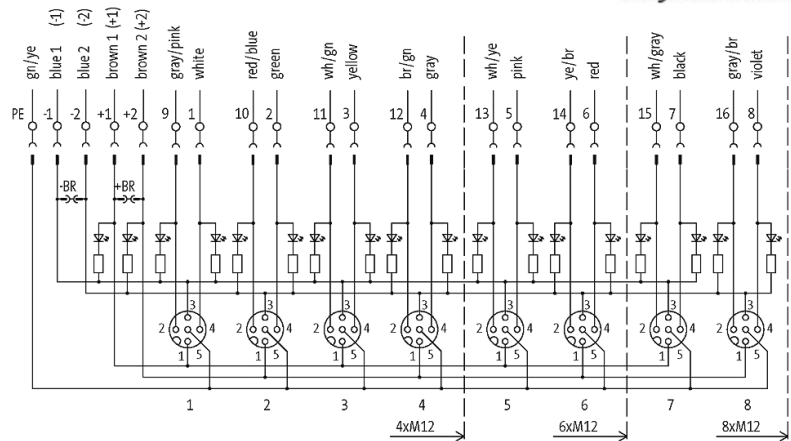
Further cable lengths on request. Plastic housings with good resistance against chemicals and oils. The resistance to aggressive media should be individually tested for your application. Further details on request.

### [Link to Product](#)

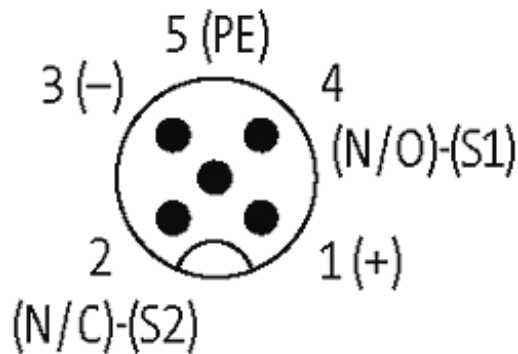
#### Illustration



stay connected



## M12 Females 5-pole



Product may differ from Image

### Approvals



### Technical Data

Housing	Plastic, flame retardant
Protection	IP67 inserted and tightened (EN 60529)
Operating voltage	24 V DC
Signal per port	2
Operating current per contact	max. 4 A
Total current	max. 2 × 8 A
Locking of ports	Screw thread M12 × 1 mm

### Cables

Cable number	404
No./diameter of wires	16×0.34 + 5×0.75 mm <sup>2</sup>
Wire isolation	PVC

The information in this brochure has been compiled with the utmost care.

Liability for the correctness completeness and topicality of the information is restricted to gross negligence. Version: 05/15

Murrelektronik GmbH | Falkenstraße 3, 71570 Oppenweiler | Fon +49 (71 91) 47-0, Fax +49 (71 91) 47-491000 | shop@murrelektronik.de | shop.murrelektronik.de

C-track properties	1.5 Mio.
Jacket Color	gray
Shore hardness outer jacket	85 ± 5A
Material (jacket)	PUR/PVC (UL/CSA)
Outer diameter	approx. 12.5 mm
Bend radius (fixed)	10 × outer Ø
Bend radius (moving)	12 × outer Ø
Temperature range (fixed)	-30...+80 °C
Temperature range (mobile)	-30...+80 °C

#### General data

Temperature range	-20...+80 °C
Dimensions H × W × D	150×50.2×17 mm

#### Contact layout

Contact 1	(+)
Contact 2	(NC)/(S2)
Contact 3	(-)
Contact 4	(NO)/(S1)
Contact 5	(Earth)
LED display	LED (green): Power / LED (yellow): (S1/S2)

#### Commercial data

country of origin	DE
customs tariff number	85369010
minimum order quantity	1