

M12 FEMALE 0° CUBE67

PUR 2x0,5 GRAY, UL/CSA, drag ch 7m

M12

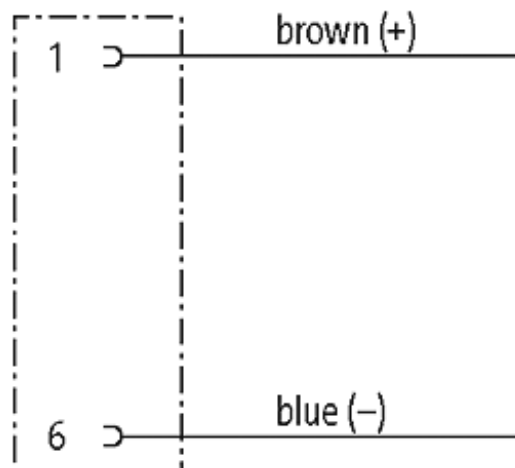
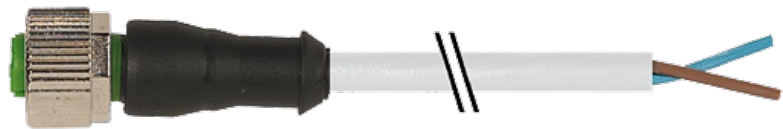
Female straight

Cube67, 6-pole

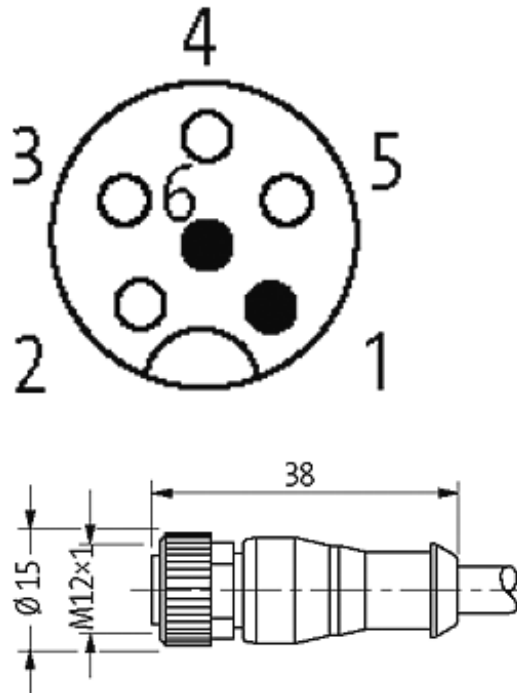
Actuator supply external

2-pole used

Further cable lengths on request. Plastic housings with good resistance against chemicals and oils. The resistance to aggressive media should be individually tested for your application. Further details on request.

[Link to Product](#)**Illustration**

Female



Product may differ from Image

Approvals



More Info

Cube67

Form

15001

Technical Data

| | |
|-------------------------------|---|
| Operating voltage | max. 30 V AC/DC |
| Operating current per contact | max. 4 A |
| Locking of ports | Screw thread M12 × 1 mm (recommended torque 0.6 Nm) self-securing |
| Protection | IP67 inserted and tightened (EN 60529) |

Cables

| | |
|-----------------------|-------------------------|
| Cable number | 414 |
| No./diameter of wires | 2 × 0.5 mm ² |
| Wire isolation | PP (br, bl) |
| C-track properties | 5 Mio. |

The information in this brochure has been compiled with the utmost care.

Liability for the correctness completeness and topicality of the information is restricted to gross negligence. Version: 05/15

Murrelektronik GmbH | Falkenstraße 3, 71570 Oppenweiler | Fon +49 (71 91) 47-0, Fax +49 (71 91) 47-491000 | shop@murrelektronik.de | shop.murrelektronik.de

| | |
|-----------------------------|---------------------------------|
| Torsion | 2 Mio. \pm 180°/m |
| Jacket Color | gray |
| Shore hardness outer jacket | 90 \pm 5A |
| Material (jacket) | PUR (UL/CSA) |
| Outer diameter | approx. 4.4 mm |
| Bend radius (fixed) | 5 \times outer \varnothing |
| Bend radius (moving) | 10 \times outer \varnothing |
| Temperature range (fixed) | -40...+80 °C |
| Temperature range (mobile) | -25...+80 °C |

Commercial data

| | |
|------------------------|----------|
| country of origin | DE |
| customs tariff number | 85444290 |
| minimum order quantity | 1 |