

## M12 MALE 90° SHIELDED WIREABLE SCREW TERM.

8-pol. max.0.5mm<sup>2</sup> 6-8mm

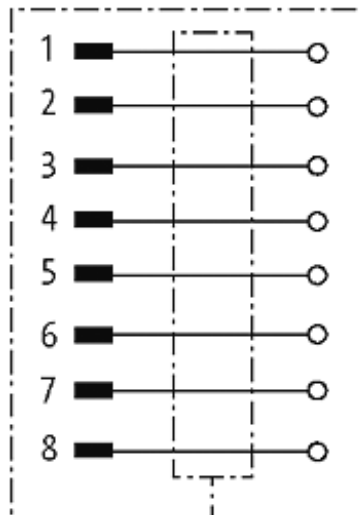
Male 90°

8-pole, shielded

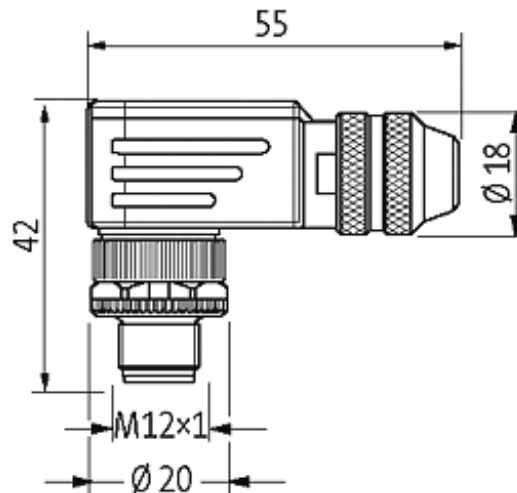
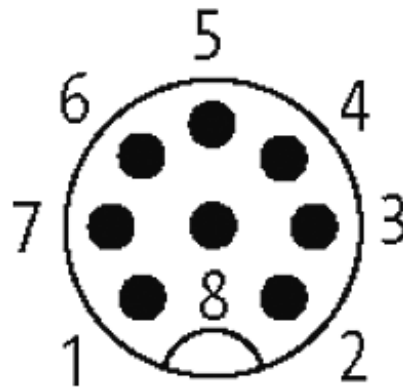
Clamping range cable entry: 6...8 mm

### [Link to Product](#)

#### Illustration



## Male



Product may differ from Image

## Approvals



## Form

17351

## Technical Data

Operating voltage	max. 60 V AC/DC
Operating current per contact	max. 2 A
Connection cross section	max. 0.5 mm <sup>2</sup>
Sealing range (cable diameter)	6...8 mm
Protection	IP65 and IP67 when plugged and screwed down (EN 60529)
Housing	CuZn, nickel plated

## General data

Temperature range -25...+85 °C

**Commercial data**

country of origin DE

customs tariff number 85369010

minimum order quantity 1