

### Model Number

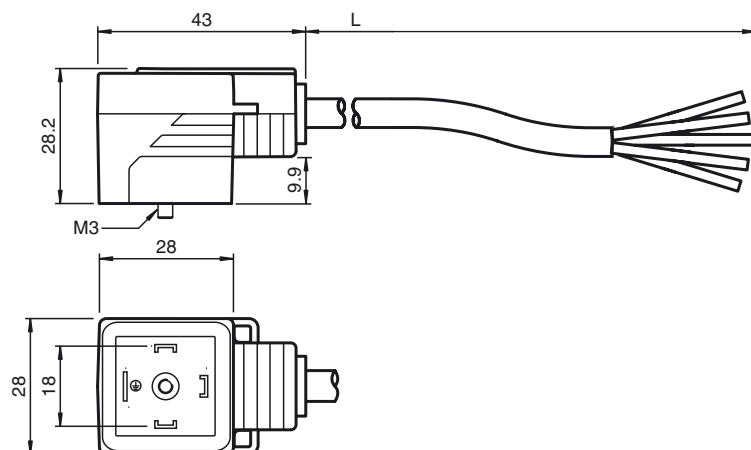
#### VMA-3+P/L1-2M-PUR

Valve connector, Form A, 3+PE, LED, PUR cable

### Features

- Valve connector according EN 175301-803 A/ISO 4400 (previously DIN 43650)
- Built-in LED, as operating and function indicator
- Moulded seal
- Flame resistant cable
- Completely halogen and silicon free
- Resistant to microbes and hydrolysis
- Oil resistant

### Dimensions



### Technical data

#### General specifications

Number of pins	3 + PE
Connection 1	Valve connector DIN
Construction type 1	right angle
Connection 2	cable end

#### Indicators/operating means

LED green	Operating display
LED red	Functional display

#### Electrical specifications

Operating voltage	$U_B$	24 V AC/DC
Operating current		max. 4 A
Volume resistance		< 5 m $\Omega$

#### Ambient conditions

Ambient temperature	Body: -20 ... 85 °C (-4 ... 185 °F) cable, flexing: -20 ... 80 °C (-4 ... 176 °F) cable, fixed: -40 ... 80 °C (-40 ... 176 °F)
Pollution Degree	3

#### Mechanical specifications

Protection degree	IP65/IP67	
Connection	Valve connector Form A	
Material		
Contacts	CuSn	
Contact surface	Sn	
Body	TPU, black	
Cable	PUR	
Core insulation	PP	
Cable		
Sheath diameter	$\varnothing$ 5.3 mm	
Bending radius	> 53 mm > 26.5 mm, fixed	
Color	dark grey (RAL 7021)	
Cores	5 x 0.5 mm <sup>2</sup> ; 20 AWG	
Conductor construction	28 x 0.15 mm $\varnothing$	
Length	L	2 m
Flammability		
Housing	V-0	

#### Compliance with standards and directives

Standard conformity	
Flammability	Grip: UL 94

#### Approvals and certificates

UL approval	cURus AWM 20549 (cable)
-------------	-------------------------

### Electrical connection

