

SIRIUS ACT: terminal module (LED module), integrated LED amber, for front plate mounting



Figure similar

Product brand name	SIRIUS ACT
Product designation	Terminal module
Product type designation	3SU1

### Display

Display version	
<ul style="list-style-type: none"> <li>for diagnostic function: Supply voltage monitoring Power LED</li> </ul>	Yes
<ul style="list-style-type: none"> <li>status Tx/Rx link</li> </ul>	No

### General technical data

Product function	
<ul style="list-style-type: none"> <li>Reverse polarity protection</li> </ul>	Yes; Ribbon cable can be rotated 180°.
<ul style="list-style-type: none"> <li>Diagnostics function</li> </ul>	Yes
Firmware version	1.0.0
Hardware version	1
Software version with STEP 7 in the TIA Portal required	V13 SP1 (V13 SP1 and V14 with HSP0132)
Power loss [W] typical	0.115 W

<b>Degree of pollution</b>	3
<b>Type of voltage</b>	
• of the operating voltage	DC
• of the input voltage	DC
<b>Surge voltage resistance rated value</b>	0.8 kV
<b>Consumed current</b>	
• maximum	27 mA
• Rated value	23 mA
<b>Protection class IP</b>	IP20
Equipment marking acc. to DIN EN 81346-2	K

#### Communication/ Protocol

<b>Protocol is supported</b>	
• PROFI-safe protocol	No

#### Connections/Terminals

<b>Type of electrical connection</b>	Insulation displacement connection
<b>Type of connectable conductor cross-sections</b>	Ribbon cable 7-pole, 7 x 0.08 mm <sup>2</sup>
<b>Connectable conductor cross-section for auxiliary contacts</b>	
• single or multi-stranded	0.08 ... 0.08 mm <sup>2</sup>
• finely stranded with core end processing	0.08 mm <sup>2</sup>
<b>Connectable conductor cross-section</b>	
• solid	0.08 ... 0.08 mm <sup>2</sup>
• solid with core end processing	0.08 ... 0.08 mm <sup>2</sup>
• finely stranded with core end processing	0.08 ... 0.08 mm <sup>2</sup>
• finely stranded without core end processing	0.08 ... 0.08 mm <sup>2</sup>
<b>AWG number as coded connectable conductor cross section</b>	28 ... 28

#### Lamp

<b>Color of the light source</b>	amber
----------------------------------	-------

#### Safety related data

<b>Service life maximum</b>	20 y
-----------------------------	------

#### Ambient conditions

<b>Ambient temperature</b>	
• during operation	-25 ... +60 °C
• during storage	-40 ... +80 °C
Environmental category during operation acc. to IEC 60721	3M6, 3S2, 3B2, 3K6 (with relative air humidity of 10 ... 95 %, no condensation in operation permitted)
<b>Explosion protection marking for intrinsic safety of related equipment EEx ia</b>	No
<b>Explosion protection marking for intrinsic safety of related equipment EEx ib</b>	No

## Installation/ mounting/ dimensions

Mounting type of modules and accessories	Snap-on mounting
Height	32.6 mm
Width	30 mm
Depth	31.5 mm

## Certificates/approvals

General Product Approval	Declaration of Conformity	Test Certificates	other
--------------------------	---------------------------	-------------------	-------



[Declaration of the Compliance with the order](#)

[Special Test Certificate](#)

[Confirmation](#)

## Further information

### Information- and Downloadcenter (Catalogs, Brochures,...)

<http://www.siemens.com/industrial-controls/catalogs>

### Industry Mall (Online ordering system)

<https://mall.industry.siemens.com/mall/en/en/Catalog/product?mlfb=3SU1401-1ME00-1DA1>

### Cax online generator

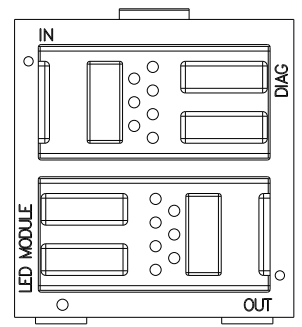
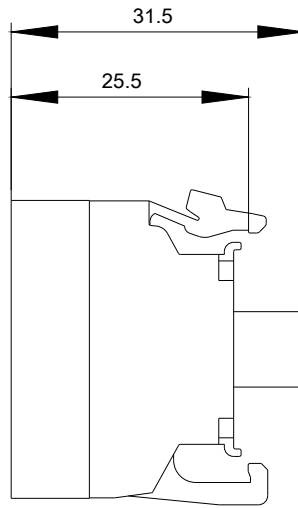
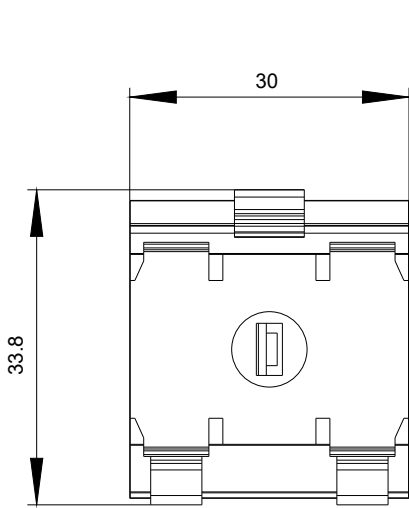
<http://support.automation.siemens.com/WW/CAXorder/default.aspx?lang=en&mlfb=3SU1401-1ME00-1DA1>

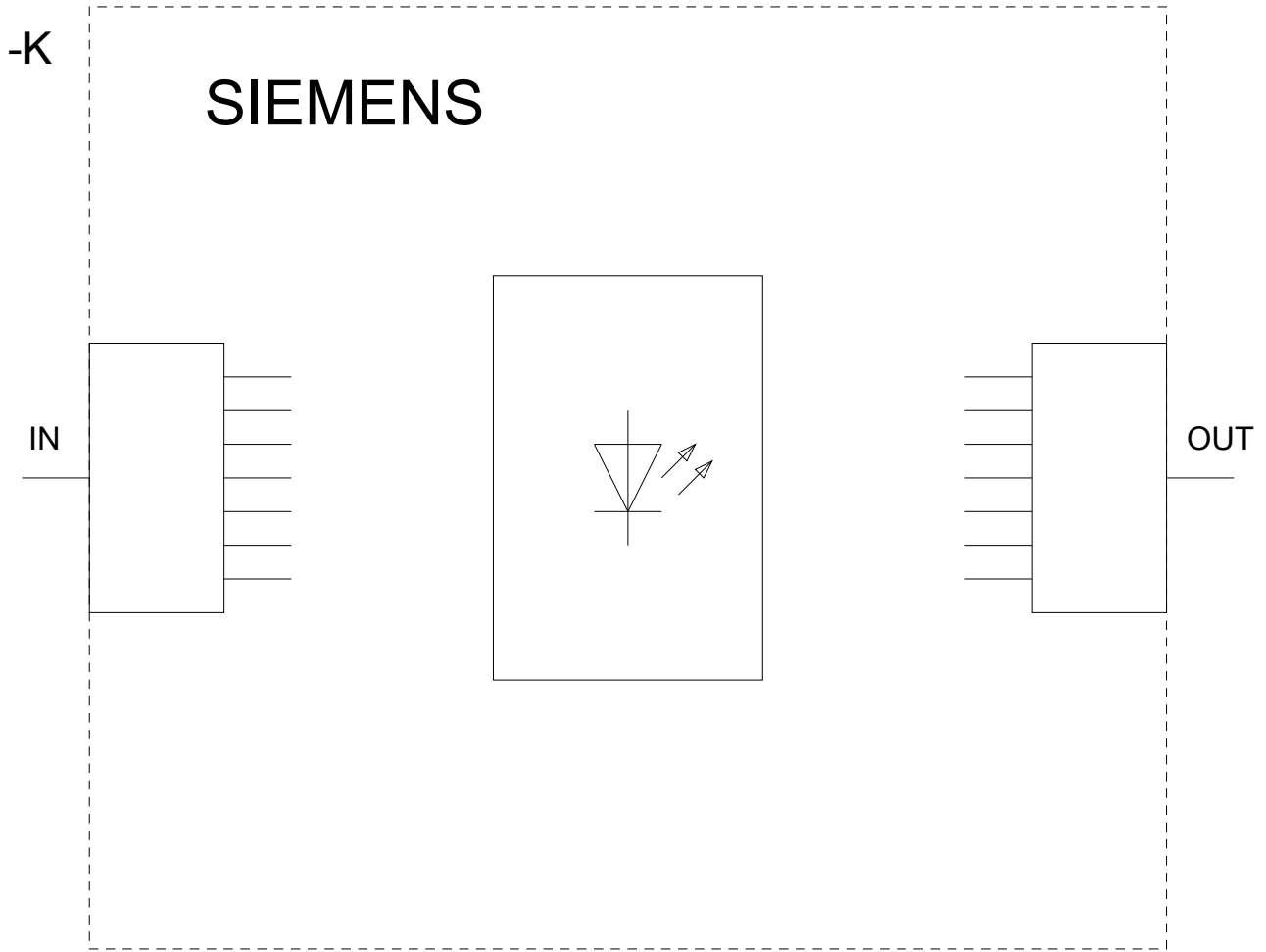
### Service&Support (Manuals, Certificates, Characteristics, FAQs,...)

<https://support.industry.siemens.com/cs/ww/en/ps/3SU1401-1ME00-1DA1>

### Image database (product images, 2D dimension drawings, 3D models, device circuit diagrams, EPLAN macros, ...)

[http://www.automation.siemens.com/bilddb/cax\\_de.aspx?mlfb=3SU1401-1ME00-1DA1&lang=en](http://www.automation.siemens.com/bilddb/cax_de.aspx?mlfb=3SU1401-1ME00-1DA1&lang=en)





last modified:

09/25/2017