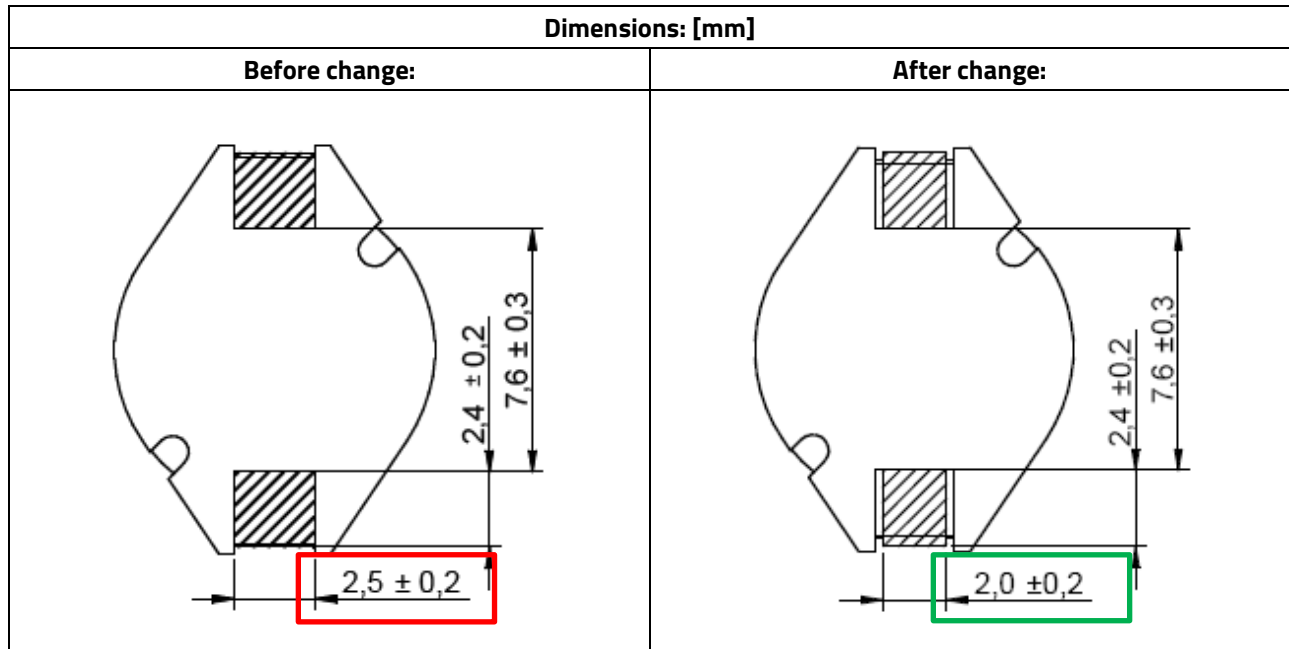




Product / Process Change Notification (PCN)	
<input type="checkbox"/> Major change <input checked="" type="checkbox"/> Minor change	
PCN #: PCN_IndPD3_20230727 Affected Series: WE-PD3, size L; 74454xxx PCN Date: April 27, 2023 Effective Date: July 27, 2023	Change Category: <input type="checkbox"/> Equipment / Location <input checked="" type="checkbox"/> General Data <input type="checkbox"/> Material <input type="checkbox"/> Process <input type="checkbox"/> Product Design <input type="checkbox"/> Shipping / Packaging <input type="checkbox"/> Supplier <input type="checkbox"/> Software
Contact: Product Management Phone: +49 (0) 7942 - 945 5001 Fax: +49 (0) 7942 - 945 5179 E-Mail: pcn.eisos@we-online.com	Data Sheet Change: <input checked="" type="checkbox"/> Yes <input type="checkbox"/> No Attachment: <input type="checkbox"/> Yes <input checked="" type="checkbox"/> No
Description and purpose of change: <p>Because of a database mismatch, Würth Elektronik will change the nominal width of the pins from 2.5 mm to 2.0 mm for the WE-PD3 series, size L, with article number range of 74454xxx.</p> <p>This is a datasheet correction only. There will be no change in form, fit, function, quality or reliability of the product.</p>	

Detail of Change:



Reliability / Qualification Summary:

There will be no change of the product, therefore no additional reliability or qualification testing will be performed.