

## Locating Pins · with ball end

22630.0520



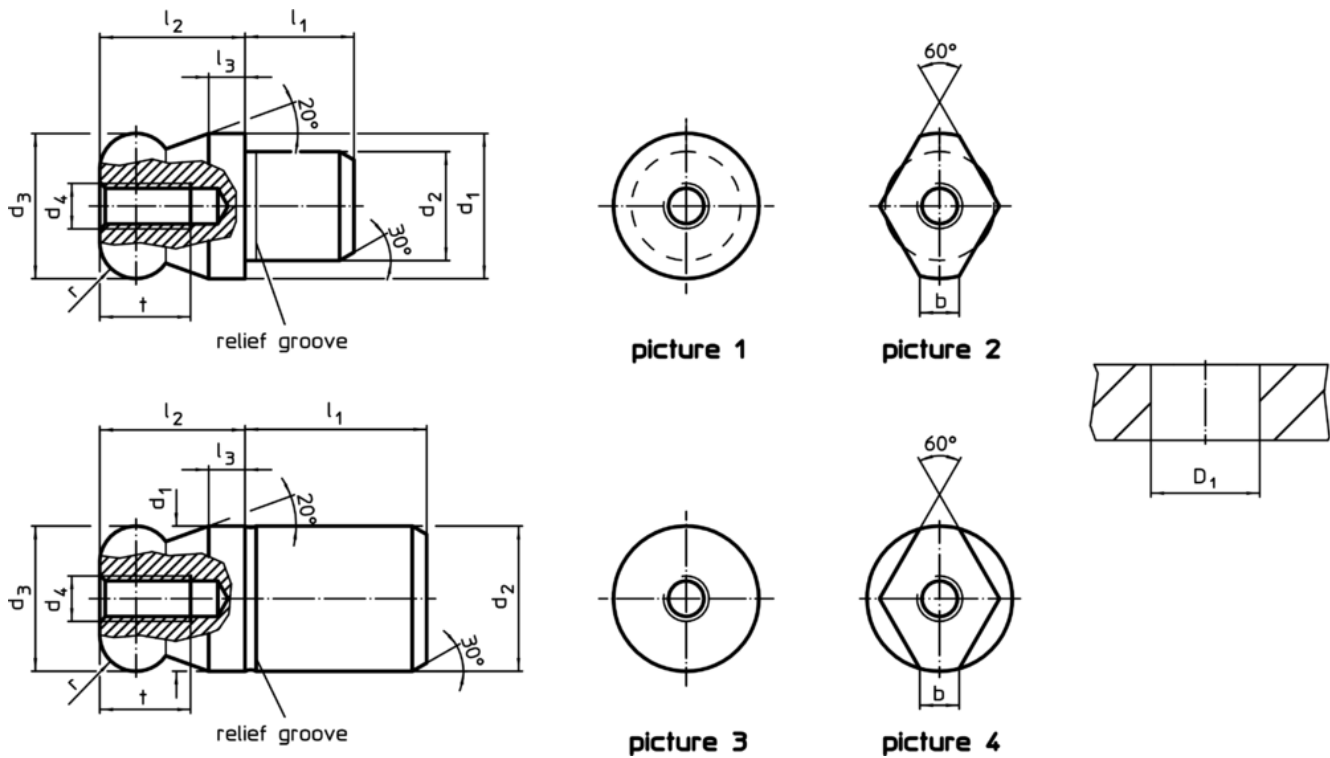
### Product Description

Ball ended locating pins facilitate easy inserting and removing avoiding clamping inclination.

### Material

- Tool steel, hardened, blackened and ground

### Drawing



### Order information

Dimensions									Location hole	[g]	Art. No.	
d <sub>1</sub>	d <sub>2</sub>	d <sub>3</sub>	d <sub>4</sub>	l <sub>1</sub>	l <sub>2</sub>	l <sub>3</sub>	t	r	D <sub>1</sub>			
g6	n6	-0.01 -0.05								H7		
[mm]										[mm]		
with ball end plain, not stepped – picture 3, Tool steel												
20	20	20	M5	25	20	5	10	5		20	101	22630.0520

### Application example



### Compliance

#### RoHS compliant

Compliant according to Directive 2011/65/EU and Directive 2015/863

#### Does not contain SVHC substances

No SVHC substances with more than 0.1% w/w contained - SVHC list [REACH] as of 10.06.2022

#### Does not contain Proposition 65 substances

No Proposition 65 substances included  
<https://www.P65Warnings.ca.gov/>

#### Free from Conflict Minerals

This product does not contain any substances designated as "conflict minerals" such as tantalum, tin, gold or tungsten from the Democratic Republic of Congo or adjacent countries.