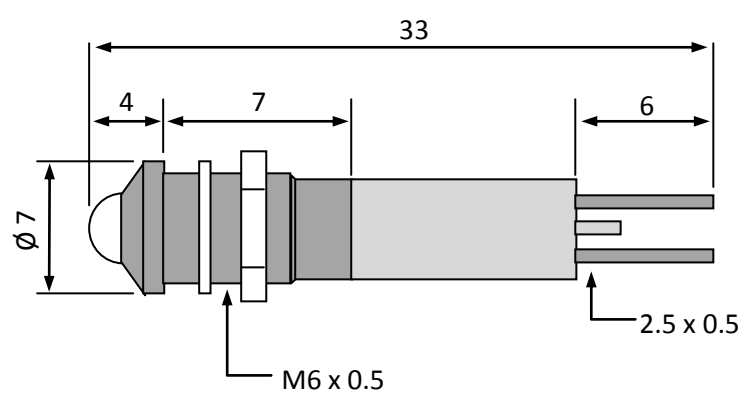


Part Number: 1902X25X

Type	Size	Rating	Description
LED	M6	12VDC	LED Panel Indicator

Dimensions (mm)



Part #	Colour	Current (mA)	Intensity (mcd)
1902X250	Red	20	6
1902X251	Green	20	40
1902X252	Yellow	20	30
1902X253	HE-Red	20	50
1902X257	Blue	20	60
1902X25W	White	7	1200

Bezel types - X=0 satin chrome / X=1 black chrome / X=2 matt chrome

Notes:

- 1 Electrical & optical data are measured at an ambient temperature of 25°C
- 2 Luminous intensity at DC
- 3 Storage temperature -25 °C to +80°C
- 4 Application temperature -20 °C to +60°C
- 5 Due to component tolerances, colour temperature variations may be observed
- 6 The terminals are not qualified for soldering
- 7 Ingress rating IP40
- 8 The plastic(polycarbonate) has limited chemical resistance
- 9 RoHS & REACH SVHC compliant