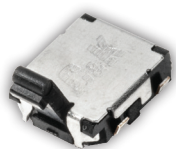


FDSE Series Micro Mini Angled Actuated Detect Switches

NEW



Features/Benefits

- Extremely small package size
- Angled Actuation
- Flat or Bending Terminations
- Long Travel Type
- RoHS Compliant

Typical Applications

- Consumer electronics
- Medical devices
- Safety control devices

Specifications

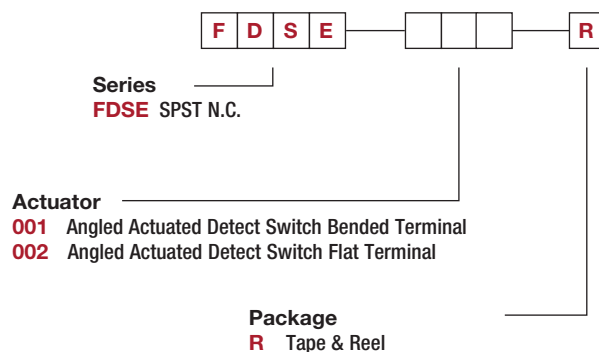
CONTACT RATING: 100 μ A @ 3VDC, 1 mA @ 5 VDC
 MECHANICAL & ELECTRICAL LIFE: 50,000 operations
 CONTACT RESISTANCE: 3 Ω max
 INSULATION RESISTANCE: 100M Ω min 100 VDC
 DIELECTRIC STRENGTH: 100VAC @ 1 minute
 OPERATING TEMPERATURE: -10°C to +60°C
 OPERATING FORCE: 35 gf max.
 TRAVEL: 3.14 mm or 60°
 SOLDERABILITY: According to lead free solder profiles
 PACKAGING: 2,000 pieces per reel.

Materials

BASE: PA9T
 COVER: C7701R
 ACTUATOR: PA 46
 MOVABLE CONTACT: Beryllium Copper
 TERMINALS: Phosphor Bronze, Ag over Ni Plating

Build-A-Switch

Complete part numbers for FDSE Series are shown below.



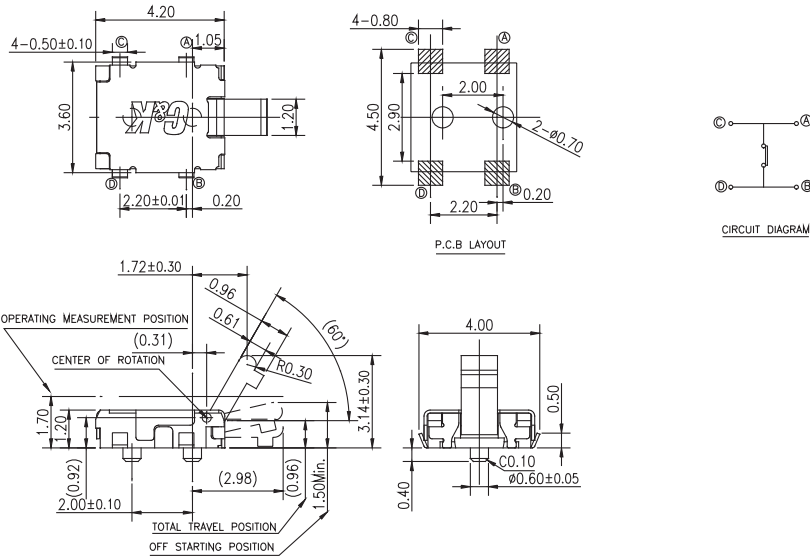
Detect

NEW

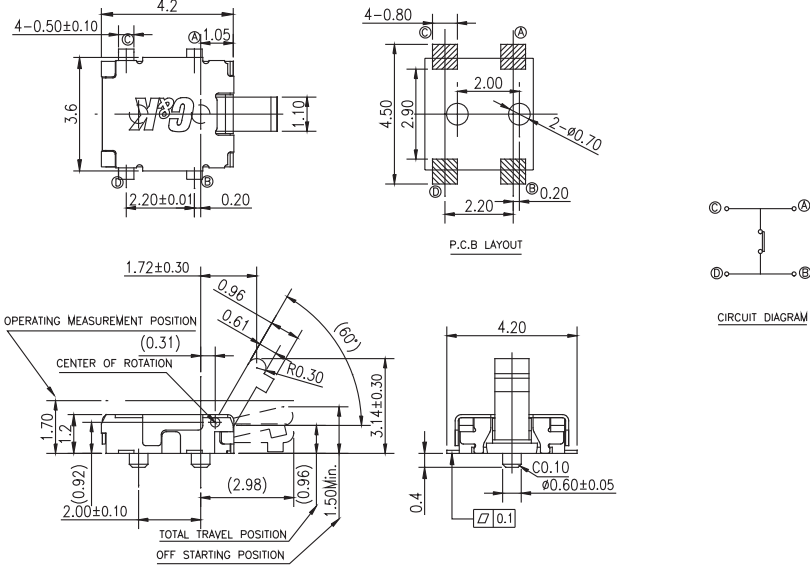
FDSE Series Micro Mini Angled Actuated Detect Switches

SERIES

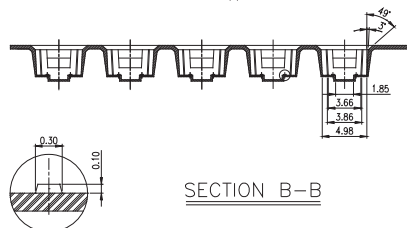
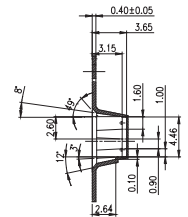
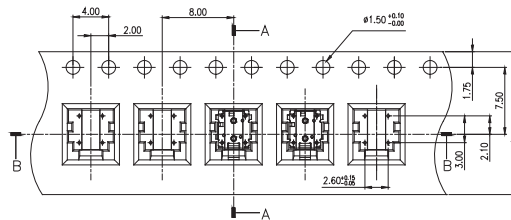
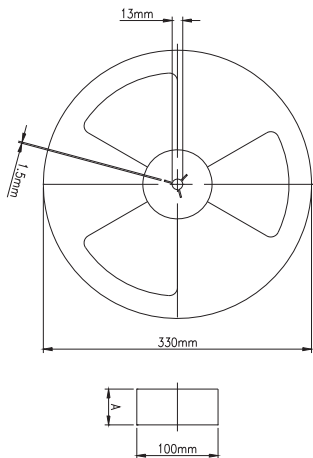
FDSE001R



FDSE002R



TAPE & REEL



Detect