

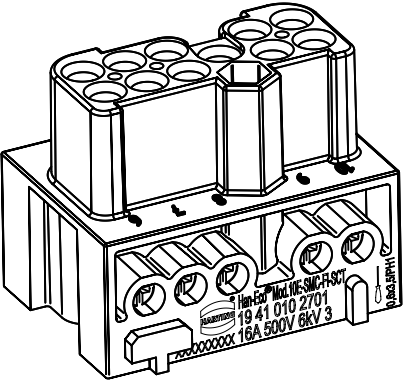
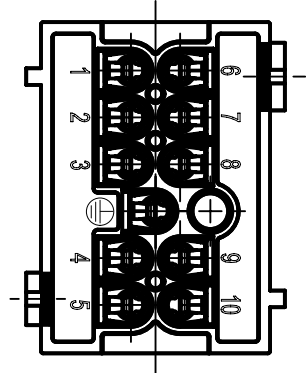
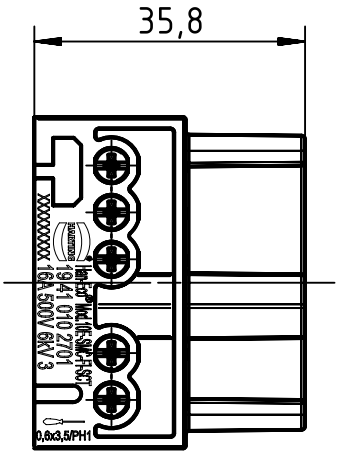
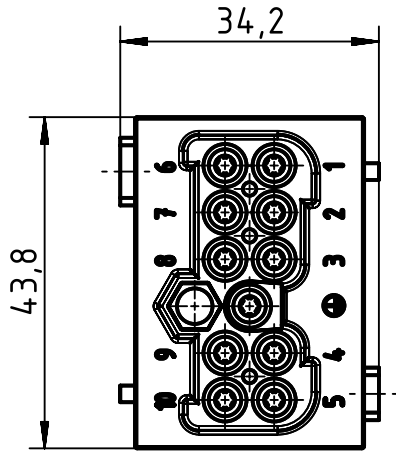
1 2 3 4 5 6

A

B

C

D



	All Dimensions in mm Original Size DIN A4		Scale 1:1	Free size tol.		Ref.		
						Sub.		
	All rights reserved		Created by HELLMANN	Inspected by BERGHORN	Standardisation TIEMANNA	Date 2018-10-05	State Final Release	
	Department EL PD		Title Han-Eco Mod.10E-SMC-FI-SCT				Doc-Key / ECM-Nr. 100511983/UGD/002/C 50000014.04.94	
HARTING Electric GmbH & Co. KG D-32339 Espelkamp			Type TB	Number 19 41 010 2701			Rev. C	Page 1/1