



# EVERLIGHT ELECTRONICS CO.,LTD.

Device Number : DLE-038-132 REV: 1.0

T-1 3/4(5mm) High Intensity LEDs

MODEL NO : 383-2UYC/S400-A7 ECN : \_\_\_\_\_ Page: 1/4

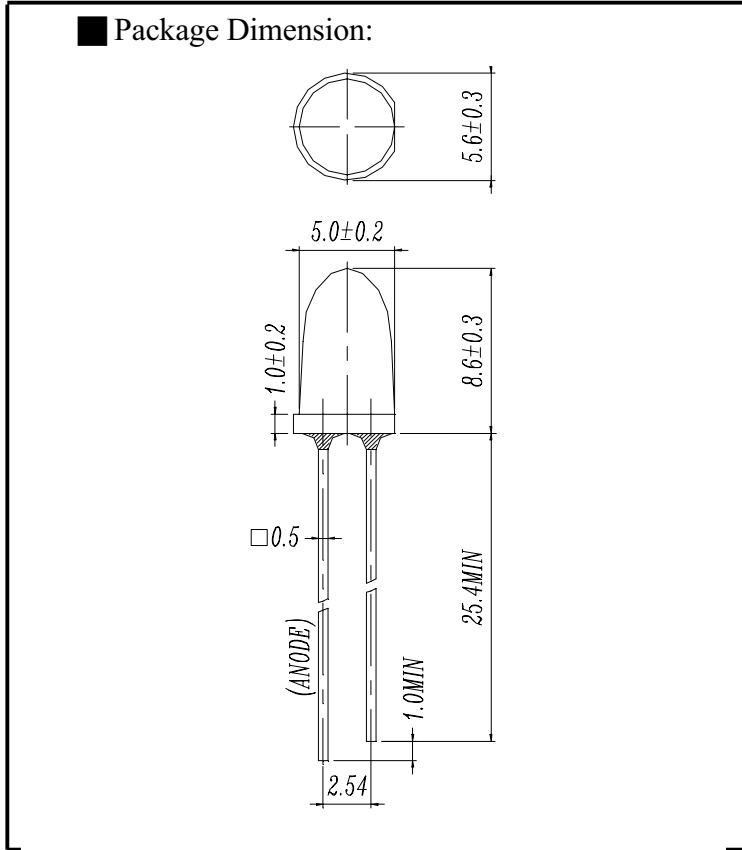
### Features :

- Popular T-1 3/4 diameter package.
- Choice of various viewing angles.
- Available on tape and reel.
- Reliable and robust.

### Description :

- The series is specially designs for applications require higher brightness than that achievable with standard lamp.
- The LED lamps are available with different colors,intensities, epoxy colors, etc.

### Package Dimension:



### Applications :

- TV Set
- Monitor
- Telephone
- Computer

### NOTES :

- 1.All dimensions are in millimeter.
- 2.An epoxy meniscus may extend about 1.5mm(0.059") down to the lead.

PART NO	CHIP		Lens Color
	Material	Emitted Color	
383-2UYC/S400-A7	AlGaInP	Super Yellow	Water Clear

DESIGNER	CHECKER	APPROVER

Office : NO 25,Lane 76,Chung Yang Rd,Sec.3  
Tucheng,Taipei 236,Taiwan,R.O.C.

TEL : 886-2-2267-2000,2267-9936(22 Lines)  
FAX : 886-2-2267-6189





T-1 3/4(5mm) High Intensity LEDs

Typical Electro-Optical Characteristic Curves

