

1-1437719-2 ✓ ACTIVE

Triad 01 Cable Plug, Triad 01 Crimp

TE Internal #: 1-1437719-2

Triad 01 Cable Plug, Standard Circular Connectors, Wire-to-Wire, 0 Position, Sealable, Wire & Cable, Signal, Gold, 0 Power Position, 0 Signal Position

[View on TE.com >](#)



Connectors > Circular Connectors > Standard Circular Connectors



Connector System: **Wire-to-Wire**

Number of Positions: **0**

Sealable: **Yes**

Connector & Contact Terminates To: **Wire & Cable**

Circuit Application: **Signal**

Features

Product Type Features

Product Type	Connector
Prewired	No
Assembly Type	Electrical Connector
Connector Product Type	Connector Assembly
Assembly Requirement	Factory Assembled
Connector System	Wire-to-Wire
Sealable	Yes
Connector & Contact Terminates To	Wire & Cable
Shell Type	Metal

Configuration Features

Number of Positions	0
Number of Power Positions	0
Number of Signal Positions	0

Electrical Characteristics

Operating Voltage	60 VAC
-------------------	--------

Body Features

Environmental Protection Type	Sealed
Shell Plating Material	Gold



Contact Features

Circular Connector Contact Type	Pin
---------------------------------	-----

Dimensions

Assembly Length	40 mm
Wire Size	.14 – .34 mm ²

Usage Conditions

Operating Temperature Range	-40 – 85 °C[-40 – 185 °F][-40 – 185 °F]
-----------------------------	---

Operation/Application

Circuit Application	Signal
Shielded	No

Industry Standards

UL Flammability Rating	UL 94V-2
------------------------	----------

Packaging Features

Packaging Quantity	100
--------------------	-----

Product Compliance

[For compliance documentation, visit the product page on TE.com>](#)

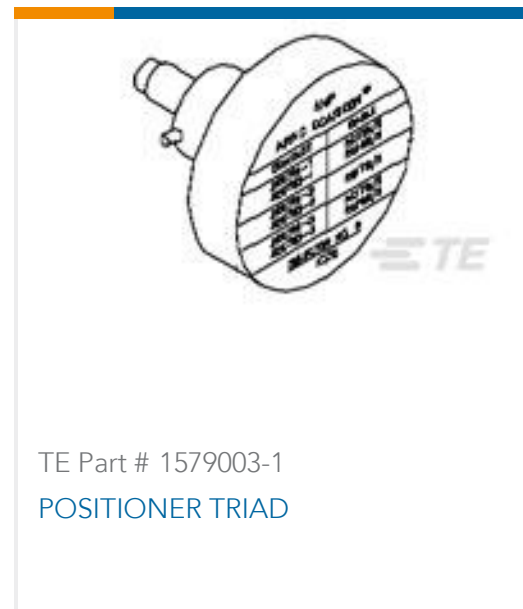
EU RoHS Directive 2011/65/EU	Compliant with Exemptions
EU ELV Directive 2000/53/EC	Compliant with Exemptions
China RoHS 2 Directive MIIT Order No 32, 2016	Restricted Materials Above Threshold
EU REACH Regulation (EC) No. 1907/2006	Current ECHA Candidate List: JAN 2021 (211) Candidate List Declared Against: JAN 2021 (211) SVHC > Threshold: Pb (3% in Component) Article Safe Usage Statements: Do not eat, drink or smoke when using this product. Wash thoroughly after handling. Recycle if possible and dispose of the article by following all applicable governmental regulations relevant to your geographic location.
Halogen Content	Not Low Halogen - contains Br or Cl > 900 ppm.
Solder Process Capability	Hand solderable with lead free solder

Product Compliance Disclaimer

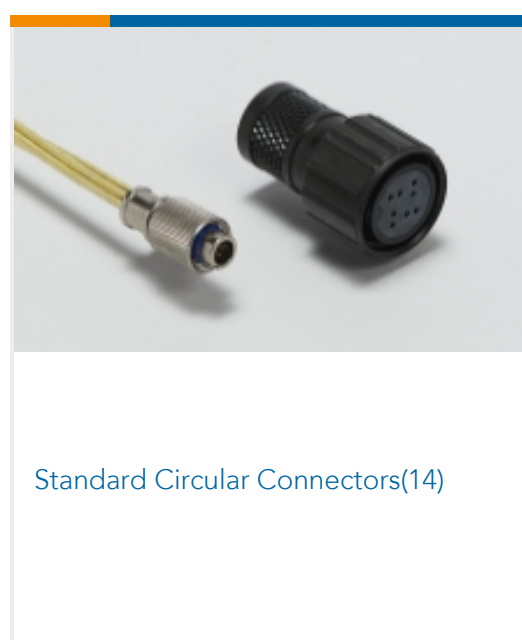
This information is provided based on reasonable inquiry of our suppliers and represents our current actual knowledge based on the information they provided. This information is subject to change. The part numbers that TE has identified as EU RoHS compliant have a maximum concentration of 0.1% by weight in homogenous materials for lead, hexavalent chromium, mercury, PBB, PBDE, DBP, BBP, DEHP, DIBP, and 0.01% for cadmium, or qualify for an exemption to these limits as defined in the Annexes of Directive 2011/65/EU (RoHS2). Finished electrical and electronic equipment products

will be CE marked as required by Directive 2011/65/EU. Components may not be CE marked. Additionally, the part numbers that TE has identified as EU ELV compliant have a maximum concentration of 0.1% by weight in homogenous materials for lead, hexavalent chromium, and mercury, and 0.01% for cadmium, or qualify for an exemption to these limits as defined in the Annexes of Directive 2000/53/EC (ELV). Regarding the REACH Regulation, the information TE provides on SVHC in articles for this part number is based on the latest European Chemicals Agency (ECHA) 'Guidance on requirements for substances in articles' posted at this URL: <https://echa.europa.eu/guidance-documents/guidance-on-reach>

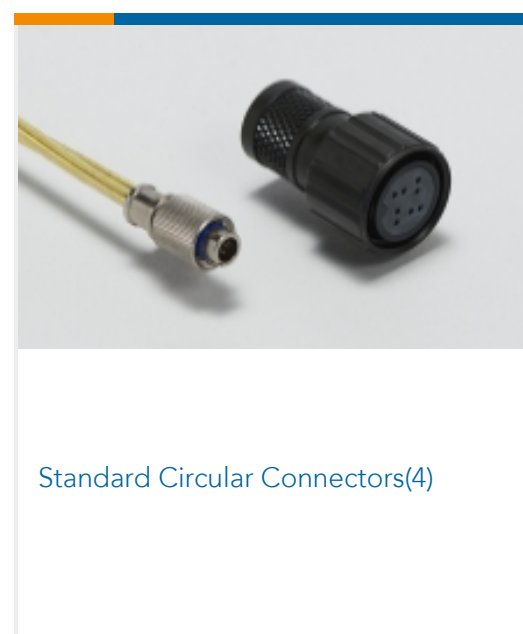
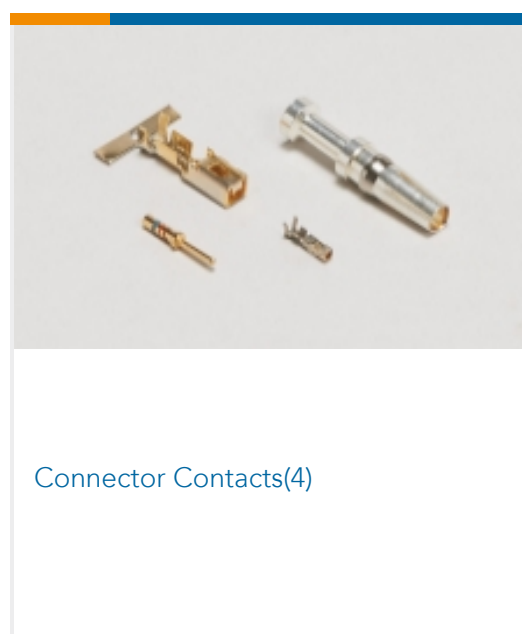
Compatible Parts



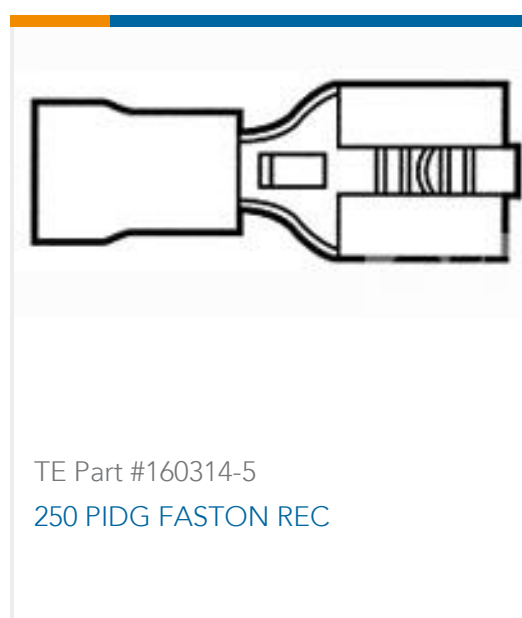
Also in the Series | Triad 01 Cable Plug



Also in the Series | Triad 01 Crimp



Customers Also Bought



Documents

Product Drawings

[T01-0540-P05-MALE PLUG CONNECTOR-CRIMP](#)

English

[T01-0540-P05-MALE PLUG CONNECTOR-CRIMP](#)

English

CAD Files

[3D PDF](#)

3D

Customer View Model

[ENG_CVM_CVM_1-1437719-2_A.2d_dxf.zip](#)

English

Customer View Model

[ENG_CVM_CVM_1-1437719-2_A.3d_igs.zip](#)

English

Customer View Model

[ENG_CVM_CVM_1-1437719-2_A.3d_stp.zip](#)

English

By downloading the CAD file I accept and agree to the [Terms and Conditions](#) of use.



Datasheets & Catalog Pages

[M8 / M12 Connector System Catalog](#)

English

Product Specifications

[Product Specification](#)

English