


ELFA artikelnr.

50-151-10 EMC-list Slot 77-010-02
 50-151-28 EMC-list Slot 77-011-02
 50-151-69 EMC-list River 97-955-02
 50-152-01 EMC-list All 97-500-02
 50-152-19 EMC-list All 97-520-02
 50-152-27 EMC-list All 97-537-02
 50-152-35 EMC-list Large 97-438-02
 50-152-43 EMC-list Large 97-440-02
 50-152-50 EMC-list Twist 97-550-02
 50-152-68 EMC-list Twist 97-556-02
 50-152-76 EMC-list Twist 97-558-02
 50-152-84 EMC-list Twist 97-559-02
 50-152-92 EMC-list ClipOn 97-604-02
 50-153-00 EMC-list ClipOn 97-610-02
 50-153-18 EMC-list ClipOn 97-620-02

50-153-26 EMC-list ClipOn 97-630-02
 50-154-09 EMC-list ClipOn 97-655-02
 50-154-17 EMC-list ClipOn 97-656-02
 50-154-25 EMC-list ClipOn 97-976-02
 50-154-33 EMC-list ClipOn 97-974-02
 50-154-41 EMC-list D-sub 9p SS
 50-154-58 EMC-list D-sub 15p SS
 50-154-66 EMC-list D-sub 25p SS
 50-154-74 EMC-list D-sub 37p SS
 50-154-82 EMC-list D-sub 50p SS
 50-154-90 EMC-list DIN Kont. Large
 50-155-08 EMC-list DIN Kont. Mini
 50-155-16 EMC-list Contact 97-221
 50-155-24 EMC-list Contact 97-390


**Instrument
Specialties**

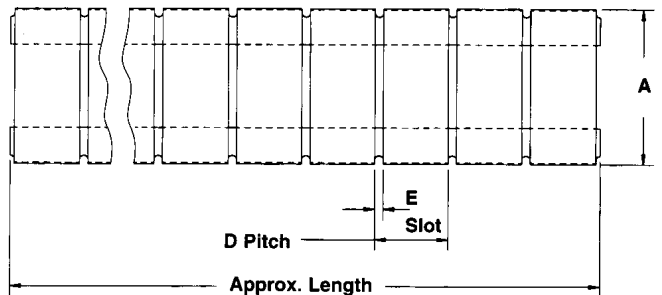
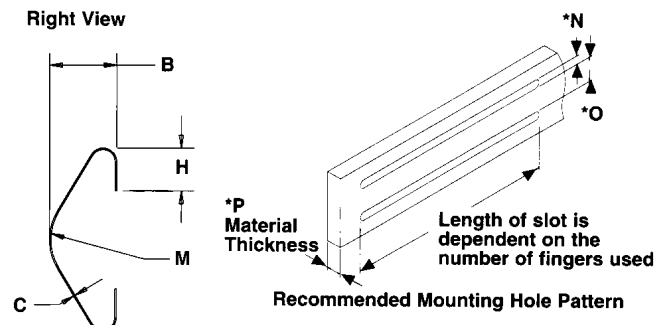
 Where Shielding
is a Science.

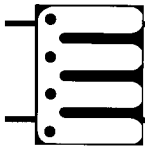

Slot Mount Series

Slot Mount Series Dimensions

Series	A	B	C	D	E	H	M	Recommended			Approx. Length	# of Fingers
								*N	*O	*P		
77-010	.320 (8.13)	.110 (2.79)	.004 (0.10)	.187 (4.75)	.018 (0.46)	.085 (2.16)	.110 (2.79)	.090 (2.29)	.260 (6.60)	.040 (1.02)	.16 (406)	86
77-011	.600 (15.24)	.220 (5.59)	.005 (0.13)	.282 (7.16)	.032 (0.81)	.140 (3.56)	.180 (4.57)	.090 (2.29)	.520 (13.21)	.070 (1.78)	.16 (406)	57
77-015	.600 (15.24)	.220 (5.59)	.005 (0.13)	.282 (7.16)	.032 (0.81)	.140 (3.56)	.180 (4.57)	.090 (2.29)	.520 (13.21)	.070 (1.78)	.250 (6.35)	1
77-016	.320 (8.13)	.110 (2.79)	.004 (0.10)	.187 (4.75)	.018 (0.46)	.085 (2.16)	.110 (2.79)	.090 (2.29)	.260 (6.60)	.040 (1.02)	.169 (4.29)	1
77-017	.320 (8.13)	.110 (2.79)	.004 (0.10)	.187 (4.75)	.018 (0.46)	.085 (2.16)	.110 (2.79)	.090 (2.29)	.260 (6.60)	.040 (1.02)	.356 (9.04)	2
77-018	.320 (8.13)	.110 (2.79)	.004 (0.10)	.187 (4.75)	.018 (0.46)	.085 (2.16)	.110 (2.79)	.090 (2.29)	.260 (6.60)	.040 (1.02)	.543 (13.79)	3
77-019	.320 (8.13)	.110 (2.79)	.004 (0.10)	.187 (4.75)	.018 (0.46)	.085 (2.16)	.110 (2.79)	.090 (2.29)	.260 (6.60)	.040 (1.02)	.730 (18.54)	4
77-020	.600 (15.24)	.220 (5.59)	.005 (0.13)	.282 (7.16)	.032 (0.81)	.140 (3.56)	.180 (4.57)	.090 (2.29)	.520 (13.21)	.070 (1.78)	.532 (13.51)	2
77-021	.320 (8.13)	.110 (2.79)	.004 (0.10)	.187 (4.75)	.018 (0.46)	.085 (2.16)	.110 (2.79)	.090 (2.29)	.260 (6.60)	.060 (1.52)	.16 (406)	86

*May vary depending upon application.

Top View

Right View




Symmetrical Slotted Shielding (S³)

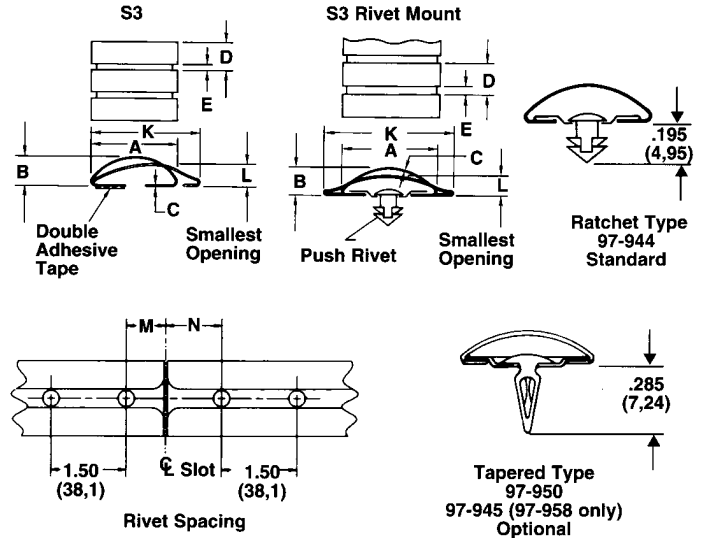
S3 Series Sticky Fingers®

Series	A	B Min.	C	D	E	K	L	Approx. Length
97-951	.62 (15.8)	.22 (5.6)	.004 (0.10)	.375 (9.53)	.030 (0.76)	.76 (19.3)	.10 (2.5)	15 (381)
97-954	.45 (11.4)	.14 (3.6)	.003 (0.08)	.250 (6.35)	.022 (0.56)	.51 (13.0)	.070 (1.78)	15 (381)
97-957	.35 (8.9)	.11 (2.8)	.003 (0.08)	.187 (4.75)	.018 (0.46)	.38 (9.6)	.055 (1.40)	15 (381)

S3 Series Rivet Mount

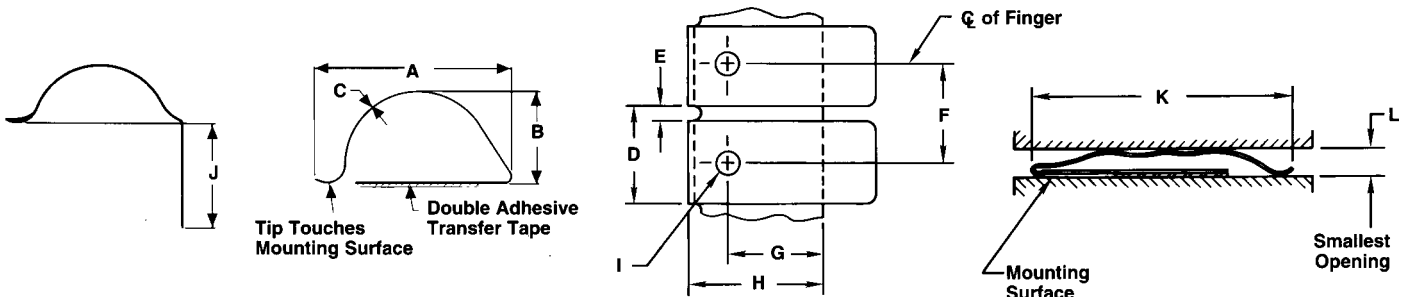
Series	A	B Min.	C	D	E	K	L	Approx. Length	M	N	No. of Rivets
97-952	.62 (15.8)	.22 (5.6)	.004 (0.10)	.375 (9.53)	.030 (0.76)	.76 (19.3)	.10 (2.5)	15 (381)	.56 (14.2)	.94 (23.9)	10
97-955	.45 (11.4)	.14 (3.6)	.003 (0.08)	.250 (6.35)	.022 (0.56)	.51 (13.0)	.070 (1.78)	15 (381)	.63 (16.0)	.88 (22.4)	10
97-958	.35 (8.9)	.11 (2.8)	.003 (0.08)	.187 (4.75)	.018 (0.46)	.38 (9.6)	.07 (1.8)	15 (381)	.66 (16.8)	.84 (21.3)	10

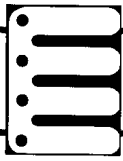
* Two rivet types are available. Consult sales department for further information.



All-Purpose Gaskets

Series	A	B	C	D	E	F	G	H	I Dia.	J	K	L	Approx. Length in. (mm)	Approx. Coil ft. (m)
97-500	.60 (15.2)	.23 (5.8)	.004 (0.10)	.375 (9.53)	.032 (0.81)	.38 (9.7)	.31 (7.9)	.50 (12.7)	.08 (2.0)	.500 (12.70)	.77 (19.6)	.040 (1.02)	24 (610)	25 (7.6)
97-520	.37 (9.4)	.14 (3.6)	.003 (0.08)	.250 (6.35)	.022 (0.56)	.25 (6.4)	.09 (2.3)	.31 (7.9)	.06 (1.5)	.320 (8.13)	.50 (12.7)	.070 (1.78)	16 (406)	25 (7.6)
97-536	.67 (17.0)	.31 (7.9)	.004 (0.10)	.375 (9.53)	.040 (1.02)	.38 (9.7)	.38 (9.7)	.53 (13.5)	.14 (3.6)	—	.94 (23.9)	.140 (3.56)	24 (610)	25 (7.6)
97-537	1.13 (28.7)	.41 (10.4)	.007 (0.18)	.500 (12.70)	.040 (1.02)	.50 (12.7)	.56 (14.2)	.78 (19.8)	.14 (3.6)	.750 (19.05)	1.94 (49.3)	.100 (2.54)	12 (305)	—
97-538	.78 (19.8)	.25 (6.4)	.005 (0.13)	.375 (9.53)	.040 (1.02)	.38 (9.7)	.38 (9.7)	.53 (13.5)	.14 (3.6)	.480 (12.19)	.94 (23.9)	.080 (2.03)	24 (610)	25 (7.6)
97-540	.28 (7.1)	.11 (2.8)	.003 (0.08)	.188 (4.78)	.018 (0.46)	.19 (4.8)	.08 (2.0)	.23 (5.8)	.06 (1.5)	.240 (6.09)	.37 (9.4)	.065 (1.65)	16 (406)	25 (7.6)

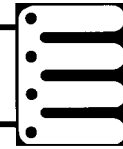
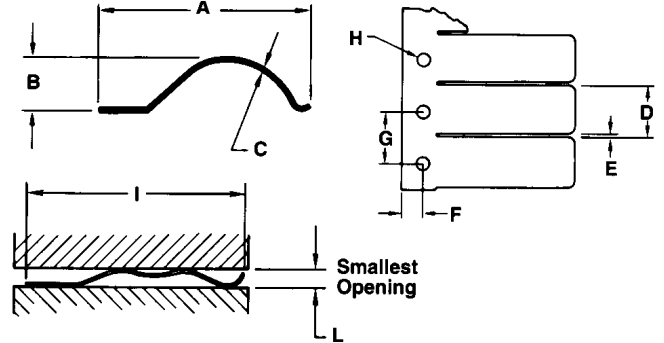




Large Enclosure Series

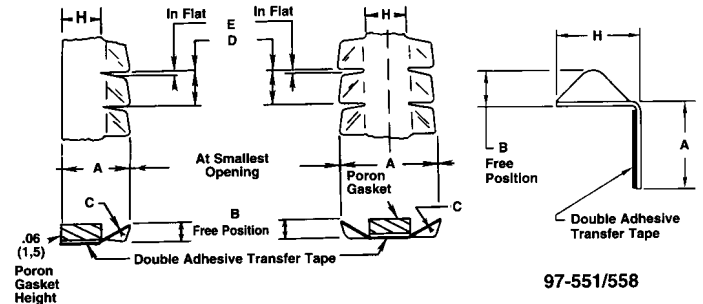
Large Enclosure Series

Series	A Ref.	B Min.	C	D	E	F	G	H Dia.	I	L	Approx. Length ft. (m)
97-438	1.09 (27.7)	.25 (6.4)	.005 (0.13)	.375 (9.53)	.040 (1.02)	.16 (4.1)	.38 (9.7)	.14 (3.6)	1.27 (32.3)	.08 (2.0)	25 (7.6)
97-440	1.63 (41.4)	.41 (10.4)	.007 (0.18)	.500 (12.7)	.040 (1.02)	.19 (4.8)	.50 (12.7)	.14 (3.6)	1.90 (48.3)	.10 (2.5)	25 (7.6)



Twist Series

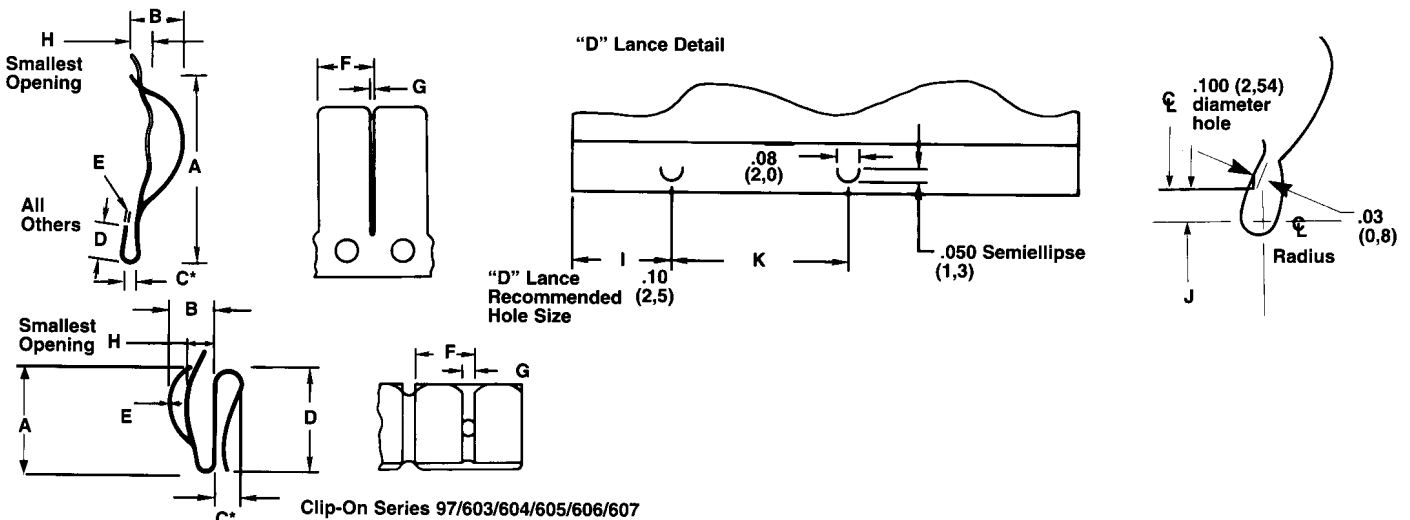
Series	A	B	C	Pitch D	Slot E	H	Approx. Length in. (mm)	Approx. Coil ft. (m)	Gasket
97-550	.23 (5.8)	.03 (0.8)	.003 (0.08)	.095 (2.41)	.015 (0.38)	.14 (3.6)	24 (610)	25 (7.6)	NO
97-551	.16 (4.1)	.03 (0.8)	.003 (0.08)	.095 (2.41)	.015 (0.38)	.08 (2.0)	24 (610)	—	NO
97-555	.34 (8.6)	.07 (1.8)	.003 (0.08)	.165 (4.19)	.015 (0.38)	.18 (4.6)	24 (610)	25 (7.6)	NO
97-556	.34 (8.6)	.07 (1.8)	.003 (0.08)	.165 (4.19)	.015 (0.38)	.18 (4.6)	24 (610)	25 (7.6)	YES
97-558	.20 (5.1)	.07 (1.8)	.003 (0.08)	.165 (4.19)	.015 (0.38)	.11 (2.8)	24 (610)	—	NO
97-559	.30 (7.6)	.07 (1.8)	.003 (0.08)	.165 (4.19)	.015 (0.38)	.18 (4.6)	24 (610)	25 (7.6)	NO
97-560	.50 (12.7)	.07 (1.8)	.003 (0.08)	.165 (4.19)	.015 (0.38)	.19 (4.8)	24 (610)	25 (7.6)	NO
97-561	.50 (12.7)	.07 (1.8)	.003 (0.08)	.165 (4.19)	.015 (0.38)	.19 (4.8)	24 (610)	25 (7.6)	YES



97-551/558



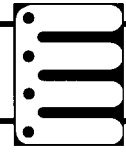
Clip-On Gaskets



Clip-On Series

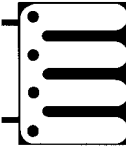
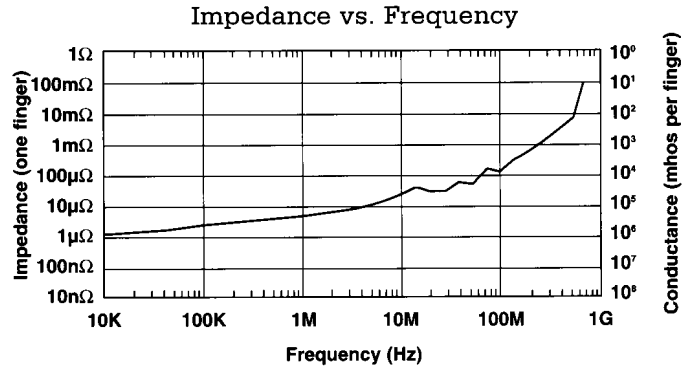
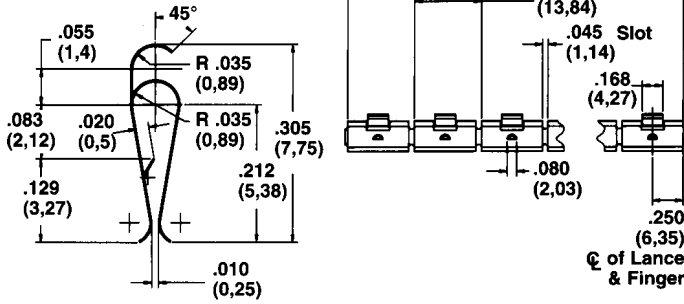
Series	Approx. Length										No Lance		Square Lance	Grip-lite "T" Lance	Snap-lite "D" Lance	Lance Locations Dimensions			Lance to Lance Dims.		Body Style	
	A	B	C	D	E	F	G	H	Approx. Length	NL	SQ	GT				ST	I	J	K	K	Slot	Sol.
97-603	.38 (9.7)	.20 (5.1)	.10 (2.5)	.33 (8.4)	.005 (0.13)	.250 (6.35)	.040 (1.02)	.080 (1.52)	16 (406)				X	X	.250 (6.35)	.099 (2.53)	.500 (12.70)	X	X			
97-604	.33 (8.4)	.28 (7.1)	.07 (1.8)	.38 (9.7)	.005 (0.13)	.250 (6.35)	.040 (1.02)	.100 (2.54)	16 (406)			X	X		.230 (5.80)	.204 (5.18)	.500 (12.70)	X	X			
97-605	.38 (9.7)	.20 (5.1)	.07 (1.8)	.38 (9.7)	.005 (0.13)	.250 (6.35)	.040 (1.02)	.060 (1.52)	16 (406)			X	X		.230 (5.80)	.204 (5.18)	.500 (12.70)	X	X			
97-606	.38 (9.7)	.20 (5.1)	.07 (1.8)	.38 (9.7)	.005 (0.13)	.250 (6.35)	.040 (1.02)	.060 (1.52)	16 (406)			X	X		.250 (6.35)	.161 (4.08)	.500 (12.70)	X	X			
97-607	.33 (8.4)	.28 (7.1)	.07 (1.8)	.38 (9.7)	.005 (0.13)	.250 (6.35)	.040 (1.02)	.100 (2.54)	16 (406)			X	X		.250 (6.35)	.161 (4.08)	.500 (12.70)	X	X			
97-610	.30 (7.6)	.10 (2.5)	.07 (1.8)	.19 (4.8)	.005 (0.13)	.187 (4.75)	.047 (1.19)	.065 (1.65)	16 (406)	X		†	†						X	X		
97-611	.30 (7.6)	.10 (2.5)	.07 (1.8)	.19 (4.8)	.005 (0.13)	.182 (4.62)	.047 (1.19)	.060 (1.52)	16 (406)	†		X	X		.364 (9.25)	.062 (1.57)	.728 (18.49)	X	X			
97-612	.44 (11.2)	.10 (2.5)	.07 (1.8)	.19 (4.8)	.003 (0.08)	.187 (4.75)	.047 (1.19)	.045 (1.14)	16 (406)	†	X				.093 (2.37)	.050 (1.26)	.750 (19.05)	X	X			
97-613	.30 (7.6)	.10 (2.5)	.07 (1.8)	.19 (4.8)	.005 (0.13)	.182 (4.62)	.047 (1.19)	.060 (1.52)	16 (406)				X	X	.364 (9.25)	.054 (1.37)	.728 (18.49)	X	X			
97-614	.30 (7.6)	.10 (2.5)	.05 (1.3)	.19 (4.8)	.005 (0.13)	.187 (4.75)	.047 (1.19)	.085 (1.65)	16 (406)	X		†	†						X	X		
97-619	.44 (11.2)	.08 (2.0)	.05 (1.3)	.19 (4.8)	.005 (0.13)	.187 (4.75)	.047 (1.19)	.045 (1.14)	16 (406)	X		†	†						X	X		
97-620	.44 (11.2)	.08 (2.0)	.07 (1.8)	.19 (4.8)	.005 (0.13)	.187 (4.75)	.047 (1.19)	.045 (1.14)	16 (406)	X		†	†						X	X		
97-621	.44 (11.2)	.12 (3.0)	.07 (1.8)	.19 (4.8)	.005 (0.13)	.193 (4.90)	.046 (1.17)	.070 (1.78)	16 (406)			X	X		.652 (16.56)	.084 (2.13)	1.351 (34.32)	X	X			
97-622	.44 (11.2)	.12 (3.0)	.07 (1.8)	.19 (4.8)	.005 (0.13)	.193 (4.90)	.046 (1.17)	.075 (1.91)	16 (406)						.290 (7.37)	.060 (1.52)	.725 (18.42)	X	X			
97-628	.60 (15.2)	.21 (5.3)	.10 (2.5)	.19 (4.8)	.005 (0.13)	.187 (4.75)	.047 (1.19)	.070 (1.78)	16 (406)	X		†	†						X	X		
97-629	.60 (15.2)	.21 (5.3)	.05 (1.3)	.19 (4.8)	.005 (0.13)	.187 (4.75)	.047 (1.19)	.070 (1.78)	16 (406)	X		†	†						X	X		
97-630	.60 (15.2)	.21 (5.3)	.07 (1.8)	.19 (4.8)	.005 (0.13)	.187 (4.75)	.047 (1.19)	.070 (1.78)	16 (406)	X		†	†						X	X		
97-631	.60 (15.2)	.21 (5.3)	.07 (1.8)	.19 (4.8)	.005 (0.13)	.182 (4.62)	.047 (1.19)	.080 (2.03)	16 (406)			X	X		.364 (9.25)	.058 (1.46)	.728 (18.49)	X	X			
97-632	.60 (15.2)	.21 (5.3)	.07 (1.8)	.19 (4.8)	.005 (0.13)	.182 (4.62)	.047 (1.19)	.080 (2.03)	16 (406)			X	X		.364 (9.25)	.058 (1.46)	.728 (18.49)	X	X			
97-633	.60 (15.2)	.21 (5.3)	.05 (1.3)	.19 (4.8)	.005 (0.13)	.182 (4.62)	.047 (1.19)	.080 (2.03)	16 (406)			X	X		.364 (9.25)	.058 (1.46)	.728 (18.49)	X	X			
97-634	.60 (15.2)	.21 (5.3)	.05 (1.3)	.19 (4.8)	.005 (0.13)	.182 (4.62)	.047 (1.19)	.080 (2.03)	16 (406)			X	X		.364 (9.25)	.058 (1.46)	.728 (18.49)	X	X			
97-640	1.09 (27.7)	.26 (6.6)	.07 (1.8)	.28 (7.1)	.005 (0.13)	.375 (9.53)	.040 (1.02)	.060 (1.50)	16 (406)	X		†	†						X	X		
97-645	.21 (5.4)	.07 (1.8)	.045 (1.14)	.25 (6.4)	.003 (0.07)	.200 (5.1)	.030 (0.76)	.010 (0.25)	24 (610)			X	X		.485 (12.3)	.133 (3.37)	1.000 (25.4)	X	X			
97-650	.98 (24.9)	.40 (10.2)	.20 (5.1)	.30 (7.6)	.004 (0.10)	1.00 (25.4)	.030 (0.76)	.20 (5.1)	16 (406)	†	X				.192 (4.88)	.120 (3.05)	.486 (12.34)	X	X			

† Optional



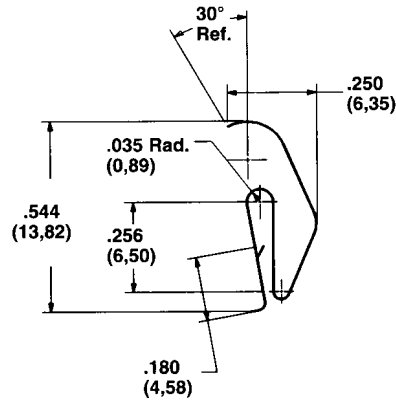
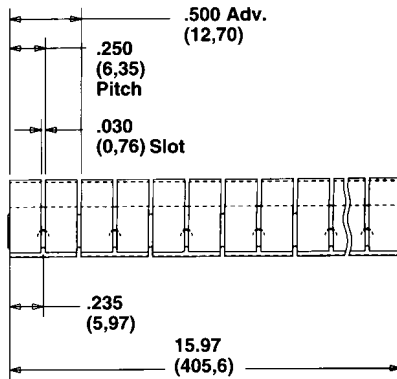
Clip-On Perpendicular Grounds

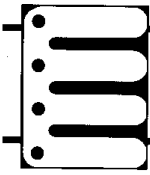
97-655



Clip-On Perpendicular Shielding

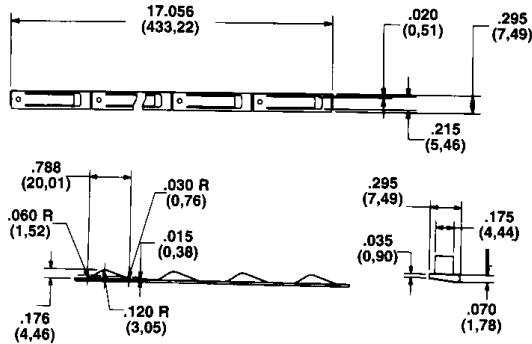
97-656



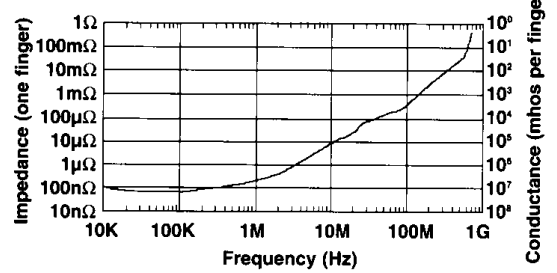


Longitudinal Shielding

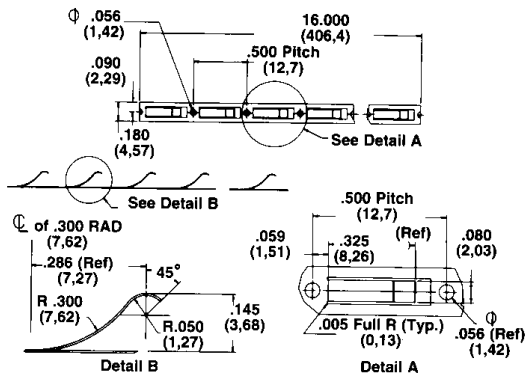
Clip-On Longitudinal Grounding Strip



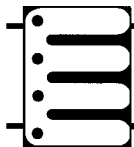
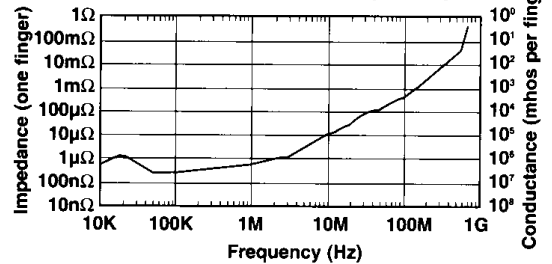
97-976 Impedance vs. Frequency



Mini-Longitudinal Grounding Gasket



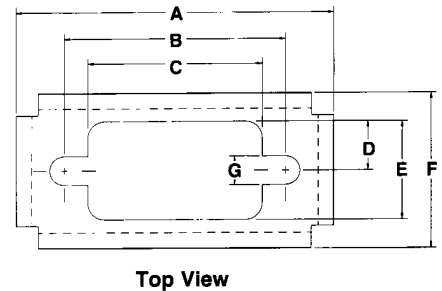
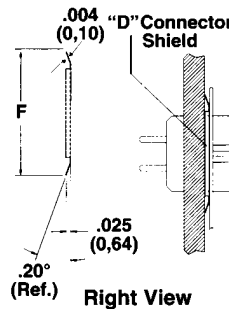
97-974 Impedance vs. Frequency

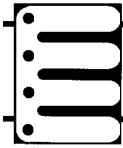


"D" Connector Shields

"D" Connector Series Dimensions

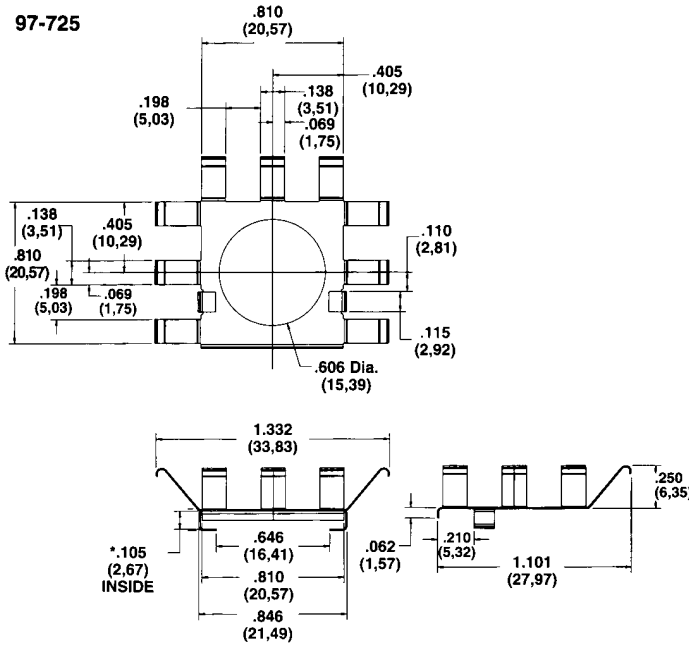
SS	BeCu	# PINS	A	B	C	D	E	F	G
97-768	97-778	9	1.41 (35.8)	.98 (24.9)	.78 (19.8)	.22 (5.6)	.44 (11.2)	.69 (17.5)	.13 (3.2)
97-769	97-779	15	1.74 (44.2)	1.31 (33.3)	1.11 (28.2)	.22 (5.6)	.44 (11.2)	.69 (17.5)	.13 (3.2)
97-770	97-780	25	2.28 (57.9)	1.85 (47.0)	1.65 (41.9)	.22 (5.6)	.44 (11.2)	.69 (17.5)	.13 (3.2)
97-771	97-781	37	2.93 (74.4)	2.50 (63.5)	2.29 (58.2)	.22 (5.6)	.44 (11.2)	.69 (17.5)	.13 (3.2)
97-772	97-782	50	2.84 (72.1)	2.41 (61.2)	2.11 (53.6)	.28 (7.1)	.55 (13.9)	.80 (20.3)	.24 (6.1)



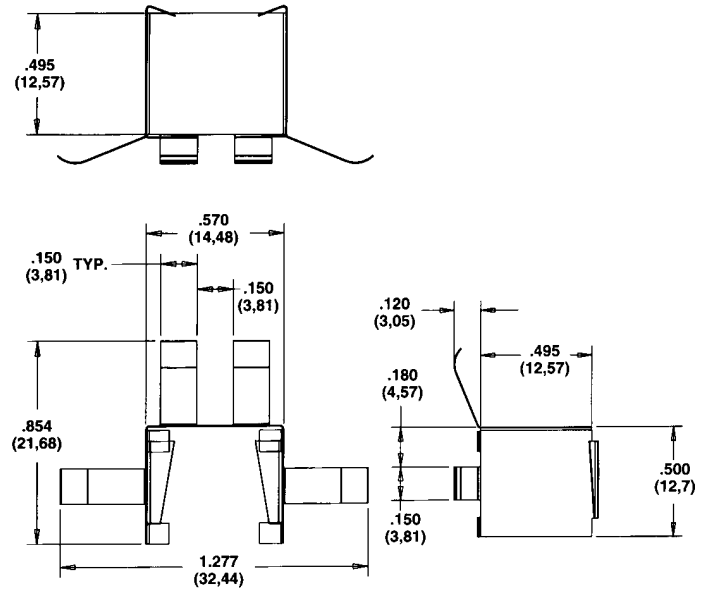


DIN Connector Series

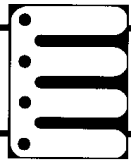
97-725



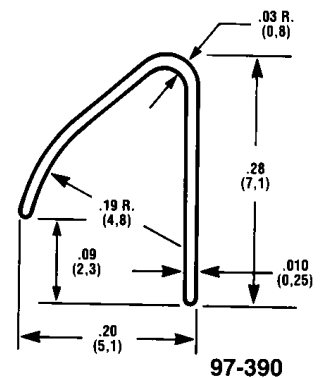
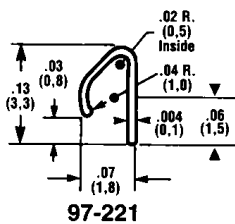
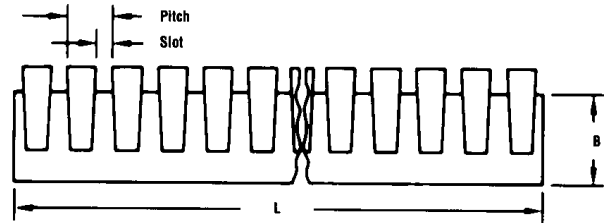
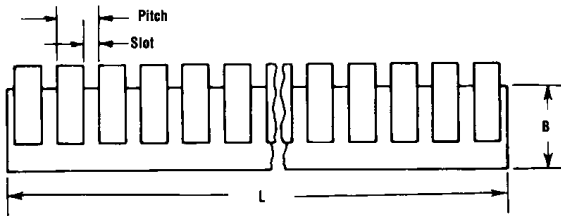
97-723



*97-725 is available without the formed bends or with bends of varying sizes to accommodate your requirements for a variety of connector sizes.



Contact Strips



Flat Strip

Series	Fig.	Pitch	Slot	B	Approx. Length (L)	Approx. # of Fingers
97-117	A	.187 (4,75)	.047 (1,19)	.63 (16,0)	16 (406)	86
97-135	E	.135 (3,43)	.040 (1,02)	.23 (5,8)	16 (406)	119
97-221	D	.060 (1,52)	.020 (0,51)	.09 (2,3)	12 (305)	200
97-251	D	.127 (3,23)	.050 (1,27)	.09 (2,3)	12 (305)	95
97-300	A	.165 (4,19)	.040 (1,02)	.19 (4,8)	16 (406)	97
97-310	D	.187 (4,75)	.062 (1,57)	.38 (9,6)	16 (406)	86
97-340	E	.163 (4,14)	.020 (0,51)	.25 (6,4)	16 (406)	98
97-390	E	.134 (3,40)	.040 (1,02)	.23 (5,8)	16 (406)	119



Load/Deflection Data

Load Charts for EMI Gaskets

Part No.	LARGEST OPENING				DESIGN HEIGHT				SMALLEST OPENING	
	Height	Load	Height	Load	Height	Load	Height	Load	Height	Load
	Inches (mm)	Lb/Ft (Kg/m)	Inches (mm)	Lb/Ft (Kg/m)	Inches (mm)	Lb/Ft (Kg/m)	Inches (mm)	Lb/Ft (Kg/m)	Inches (mm)	Lb/Ft (Kg/m)
77-010	0,055 (1,40)	10 (15)	0,045 (1,14)	21 (31)	0,035 (0,89)	34 (51)	0,025 (0,64)	47 (70)	0,015 (0,38)	62 (92)
77-011	0,120 (3,05)	12 (18)	0,095 (2,41)	29 (43)	0,070 (1,78)	48 (71)	0,045 (1,14)	74 (110)	0,020 (0,51)	121 (180)

Load Charts for Grounding Strips

Part No.	SMALLEST DEFLECTION								LARGEST DEFLECTION	
	Deflection	Load	Deflection	Load	Deflection	Load	Deflection	Load	Deflection	Load
	Inches (mm)	Lb/Ft (Kg/m)	Inches (mm)	Lb/Ft (Kg/m)	Inches (mm)	Lb/Ft (Kg/m)	Inches (mm)	Lb/Ft (Kg/m)	Inches (mm)	Lb/Ft (Kg/m)
97-221	0,067 (1,70)	18 (27)	0,064 (1,63)	31 (46)	0,061 (1,55)	51 (76)	0,058 (1,47)	66 (98)	0,055 (1,40)	85 (126)
97-390	0,193 (4,90)	23 (34)	0,186 (4,72)	55 (82)	0,179 (4,55)	90 (134)	0,172 (4,37)	138 (205)	0,165 (4,19)	183 (272)

Load Charts for EMI Gaskets

Part No.	LARGEST OPENING				DESIGN HEIGHT				SMALLEST OPENING	
	Height	Load	Height	Load	Height	Load	Height	Load	Height	Load
	Inches (mm)	Lb/Ft (Kg/m)	Inches (mm)	Lb/Ft (kg/m)	Inches (mm)	Lb/Ft (Kg/m)	Inches (mm)	Lb/Ft (Kg/m)	Inches (mm)	Lb/Ft (Kg/m)
97-438	0,215 (5,46)	10 (15)	0,180 (4,57)	22 (33)	0,145 (3,68)	32 (48)	0,110 (2,79)	42 (62)	0,075 (1,91)	60 (89)
97-440	0,35 (8,9)	17 (25)	0,29 (7,2)	31 (46)	0,23 (5,7)	41 (61)	0,16 (4,1)	51 (75)	0,10 (2,5)	64 (95)
97-500	0,190 (4,83)	16 (24)	0,155 (3,94)	26 (39)	0,115 (2,92)	35 (52)	0,080 (2,03)	44 (65)	0,040 (1,02)	53 (78)
97-520	0,125 (3,18)	18 (27)	0,110 (2,79)	32 (48)	0,100 (2,54)	39 (58)	0,085 (2,16)	49 (73)	0,070 (1,78)	59 (88)
97-537	0,35 (8,9)	27 (40)	0,29 (7,2)	47 (69)	0,23 (5,7)	62 (92)	0,16 (4,1)	72 (107)	0,10 (2,5)	87 (129)
97-550	0,026 (0,66)	8 (12)	0,022 (0,56)	14 (21)	0,018 (0,46)	25 (37)	0,014 (0,36)	33 (49)	0,010 (0,25)	48 (71)
97-556	0,063 (1,60)	29 (42)	0,056 (1,42)	46 (68)	0,049 (1,24)	64 (94)	0,042 (1,07)	82 (122)	0,035 (0,89)	123 (183)
97-558	0,063 (1,60)	10 (15)	0,056 (1,42)	21 (31)	0,049 (1,24)	37 (55)	0,042 (1,07)	46 (68)	0,035 (0,89)	52 (77)
97-559	0,064 (1,63)	11 (17)	0,058 (1,47)	21 (32)	0,052 (1,32)	32 (47)	0,046 (1,17)	39 (58)	0,040 (1,02)	45 (66)



Load/Deflection Data

Load Charts for EMI Gaskets

Part No.	LARGEST OPENING				DESIGN HEIGHT				SMALLEST OPENING	
	Height	Load	Height	Load	Height	Load	Height	Load	Height	Load
	Inches (mm)	Lb/Ft (Kg/m)	Inches (mm)	Lb/Ft (Kg/m)	Inches (mm)	Lb/Ft (Kg/m)	Inches (mm)	Lb/Ft (Kg/m)	Inches (mm)	Lb/Ft (Kg/m)
97-604	0.245 (6,22)	6 (9)	0.210 (5,33)	13 (19)	0.170 (4,32)	22 (33)	0.135 (3,43)	30 (45)	0.100 (2,54)	40 (60)
97-610	0.093 (2,36)	3 (4)	0.086 (2,18)	11 (16)	0.079 (2,01)	23 (34)	0.072 (1,83)	37 (55)	0.065 (1,65)	69 (103)
97-620	0.073 (1,85)	32 (48)	0.066 (1,68)	75 (112)	0.059 (1,50)	118 (176)	0.052 (1,32)	170 (253)	0.045 (1,14)	205 (305)
97-630	0.180 (4,57)	3 (4)	0.155 (3,94)	6 (9)	0.125 (3,18)	11 (16)	0,100 (2,54)	16 (24)	0,070 (1,78)	25 (37)
97-655	0.080 (2,03)	37 (55)	0.070 (1,78)	27 (40)	0.060 (1,52)	17 (25)	0.050 (1,27)	8 (12)	0.040 (1,02)	4 (6)
97-955	0.126 (3,20)	11 (16)	0.112 (2,84)	21 (31)	0.098 (2,49)	28 (42)	0.084 (2,13)	37 (55)	0.070 (1,78)	62 (92)
97-974	0.130 (3,30)	0.8 (1,2)	0.110 (2,79)	1.5 (2,2)	0.090 (2,29)	2.5 (3,7)	0.070 (1,78)	3.6 (5,4)	0.050 (1,27)	5.1 (7,6)
97-976	0.145 (3,68)	1.4 (2,1)	0.115 (2,92)	3.1 (4,6)	0.080 (2,03)	5.0 (7,4)	0.050 (1,27)	6.6 (9,8)	0.020 (0,51)	8.9 (13,2)