

## Features

- Strong
- Durable
- Long lifespan
- Stable cushioning

## RS PRO Shock Absorber

RS Stock No.: 2351088



RS PRO is the own brand of RS. The RS PRO Seal of Approval is your assurance of professional quality, a guarantee that every part is rigorously tested, inspected, and audited against demanding standards. Making RS PRO the Smart Choice for our customers.

## Product Description

- Strong
- Durable
- Long lifespan
- Stable cushioning

## General Specifications

Size	M14 x 1.5
Stroke	12 mm
Cushioning	Spring
Body Length	67 mm
Overall Length	79 mm
Connection Type	Thread
Shock Absorber Type	Self-compensating
Manufacturer Series	AC
Thread Size	M14 x 1.5

## Mechanical Specifications

Maximum Energy Capacity per Hour	33000 Nm
Maximum Energy Capacity per Cycle	20 Nm
Return Force	3 Nm
Minimum Operating Temperature	-10°C
Maximum Operating Temperature	80°C
Return Time (Seconds)	0.3

## Similar Products

Stock No.	Brand	Product Name	Attribute 1	Attribute 2
2351086	RS PRO	Shock absorber	M10 thread	Without cap
2351087	RS PRO	Shock absorber	M14 thread	With cap

## Dimensions

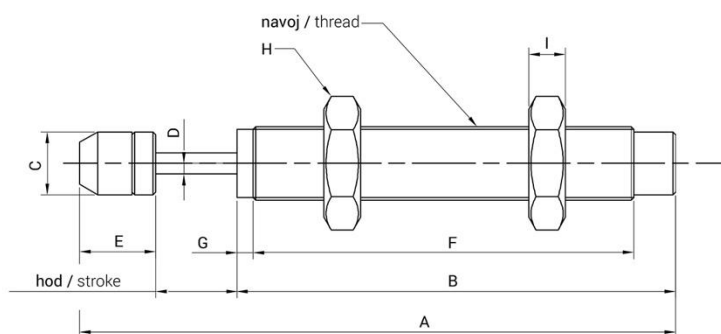
### AC SERIJA – SAMONASTAVLJIVI / AC SERIES – SELF COMPENSATING

Delovna temperatura -10 ~ + 80 °C  
Working Temperature



Tip Type	Hod [mm] Stroke [mm]	Max. Nm za ciklus (Et) Max. Nm per cycle (Et)	Max. Nm na uro (Etc) Max. Nm per hour (Etc)	Max. možna masa (Me) [kg] Max. effective mass (Me) [kg]	Max. naletna hitrost (v) [m/s] Max. impact speed (v) [m/s]
2351086	7	6	12,400	12	0,3-3,5
2351087	12	20	33,000	40	0,3-5,0
2351088	12	20	33,000	40	0,3-5,0
2351089	15	59	38,000	120	0,3-5,0

UNI-AIR PNEUMATICS / SHOCK ABSORBERS



Tip Type	Teža [g] Weight [g]	Navoj Thread	A	B	C	D	E	F	G	H	I
2351086	25	M10x1,0	-	47	-	3	-	39,0	3	12,7	3
2351087	70	M14x1,5	89,5	67	12,0	4	10,5	58,0	4	19	5
2351088	65	M14x1,5	-	67	-	4	-	58,0	4	19	5
2351089	160	M20x1,5	103,8	73	17,8	6	15,8	62,0	4	26	7