

GN 298 | T-shaped and angular connectors

Aluminium



- 1
- 2
- 3
- 4
- 5
- 6
- 7
- 8
- 9
- 10
- 11
- 12
- 13
- 14
- 15
- 16
- 17
- 18
-

MATERIAL

Aluminium, epoxy resin coating, RAL 9005 black colour, matte finish.

CLAMPING GRUB AND SCREWS

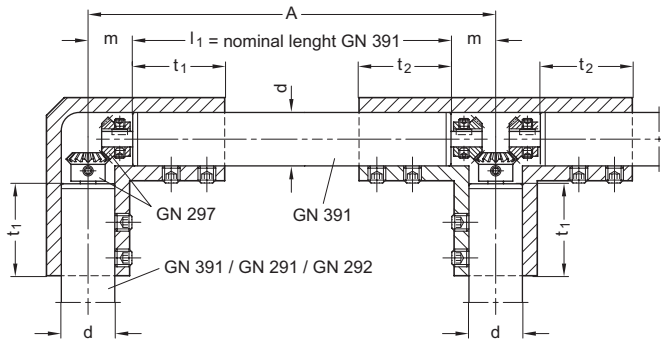
Stainless steel.

STANDARD EXECUTIONS

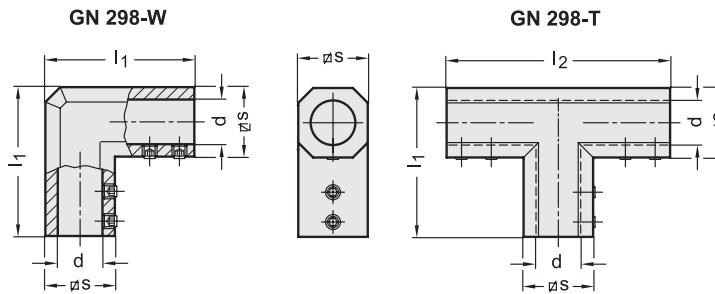
- **GN 298-W**: for angular connections.
- **GN 298-T**: for T-shaped connections.

FEATURES AND APPLICATIONS

GN 298 connectors are used for connecting the linear actuators by means of angular gears GN 911 (see page 1782).



d = hole for linear actuator or GN 391



d = hole for linear actuator or GN 391

Code	Description	d Hole	l1	l2	s	⚖
GN.67506	GN 298-28-B18-W-SW	18	60	-	28	107
GN.67516	GN 298-40-B30-W-SW	30	84	-	40	219
GN.67526	GN 298-50-B40-W-SW	40	108	-	50	434
GN.67536	GN 298-60-B50-W-SW	50	128	-	60	692
GN.67501	GN 298-28-B18-T-SW	18	60	90	28	139
GN.67511	GN 298-40-B30-T-SW	30	84	126	40	280
GN.67521	GN 298-50-B40-T-SW	40	108	162	50	542
GN.67531	GN 298-60-B50-T-SW	50	128	190	60	851